

MLM 5-21/23

High-Performance Medical Monitor for Demanding Medical Graphics Applications

Features

- High-Performance medical monitor for connection to multiple input devices
- 21.5" or 23.8" Full HD display with optically bonded PCAP multi-touch touchscreen and anti-glare coated safety glass for unsurpassed visualisation capabilities
- Fully sealed aluminium housing and fanless design for high hygienic standards with IP65 rated fluid protection, providing easy cleaning and resistance to common medical disinfection procedures



Specifications

Display

TFT Panel	21.5" / 23.8" Full HD
Resolution	1920 x 1080
Colours	16.7 million
Pixel Pitch	0.248 x 0.248 mm (21.5") 0.275 x 0.275mm (23.8")
Contrast ratio*	3000:1 (21.5"), 1000:1 (23.8")
Response time*	5 ms
Luminance*	250 cd/m ²
Viewing angle V/H*	176°/176° (21.5") 178°/178° (23.8")
	* typical values

Interfaces

I/O	VGA 15pin D-sub socket DVI-D 24+1pin dual link socket DisplayPort input socket USB 2.0 input socket type B (input interface; e.g. for touch operation with connected host PC)
UI	6 key membrane keypad; available functions: - Standby ON/OFF - Call OSD menu (enables further adjustments) - Search / select display signal type - Display signal type - Display auto adjust - Touch cleaning enable/disable

Electrical

Power	100-240 V ~ 50 / 60 Hz (internal medical grade PSU) or 24 V (via external med. grade PSU)
-------	--

Mechanical

Dimensions (WxHxD)	532 x 324 x 86 mm (21.5") / 595 x 364 x 86 mm (23.8")
Weight (approx.)	9.1 kg (21.5") / 10.3 kg (23.8")
Housing	Aluminium powder coated
Mounting	VESA 100

Environmental

Operating.	0°C to +35°C 10% to 90% rel. humidity (non-condensing)
Storage.	-10°C to +60°C 5% to 95% rel. humidity (non-condensing)
Ingress Rating	IP65 protection from 5-sides

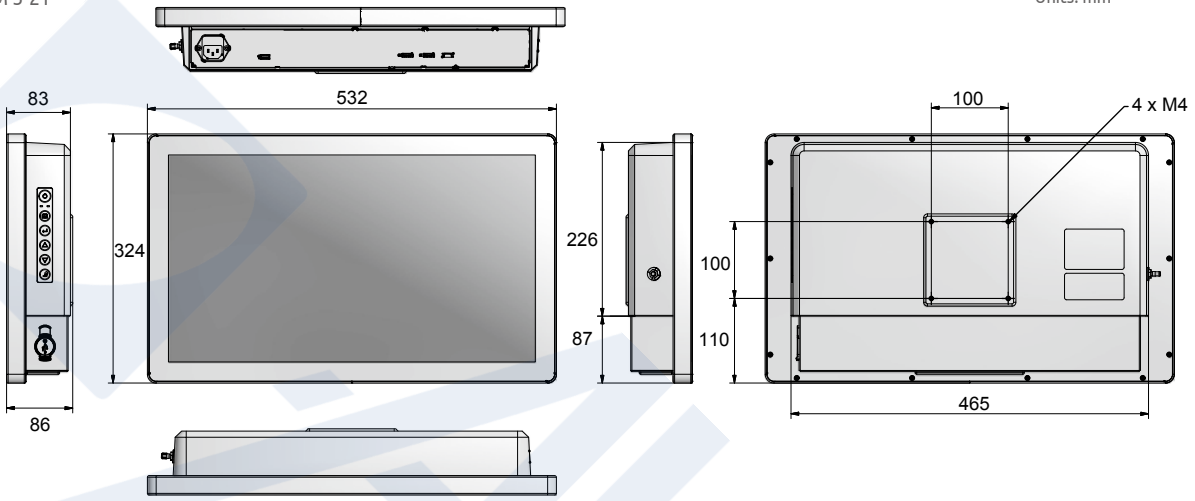
Certificates

IEC 60601-1:2012
EN 60601-1:2006/A11:2011
IEC 60601-1-2:2007/EN 60601-1-2:2007
EN 55022:2010 + AC:2011
EN 61000-3-2:2006 + A1:2009 + A2:2009
EN 61000-3-3:2013
EN 55024:2010
RoHS compliant

Dimensions

MLM 5-21"

Units: mm



MLM 5-23"

