



# Why Layerscape CPU's

- combines the ARM® core Architecture with the QorIQ® high speed communication technology
- have a very good ratio between computing power and energy efficiency
- this architecture connecting the world of networking, IOT and Industry 4.0
- universal applicable depending on the demand of the customer (from standard up to high end networking)

# Elevator Pitch TQMLS1012AL

## This is what you should know!

- High speed interfaces for fast data communication (PCIe, Gigabit Ethernet, USB 3.0).
- Smallest 64 BIT CPU module with a power dissipation of < 2W for the realization of energy efficient routers, gateways and data loggers.
- The integrated packet engine supports the effective transmission of the data packets and thereby it will increasing the performance.
- Integrated security functions can be used to realize secure systems and controls in the world of IIOT.

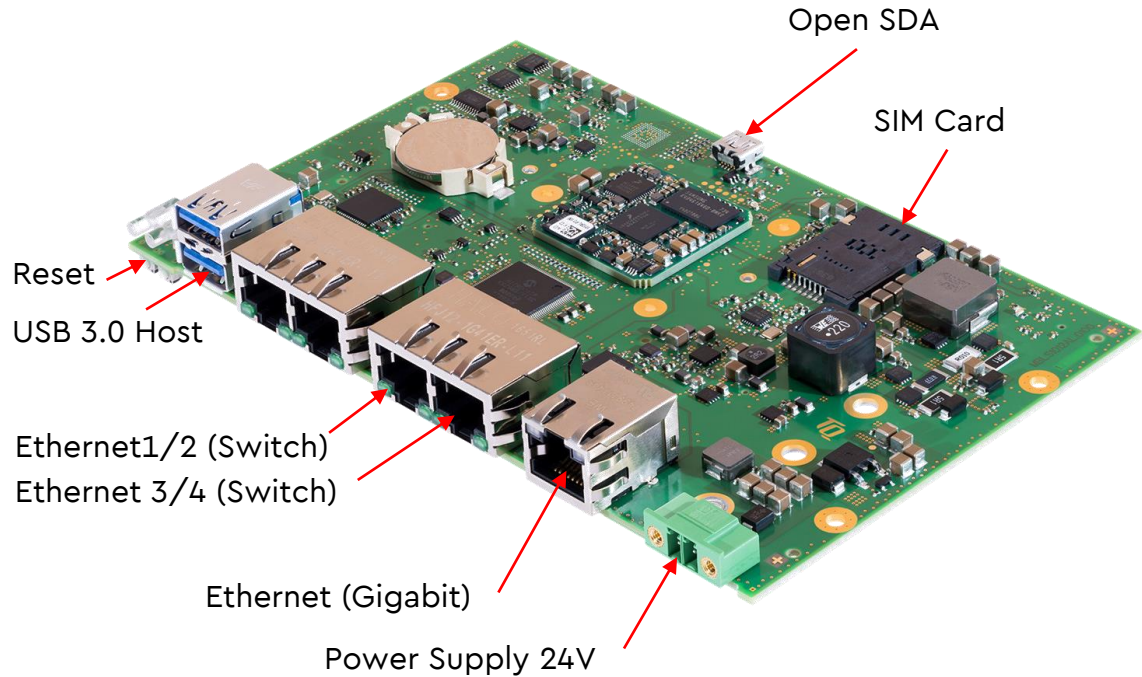


[Processor](#)  
[Memory](#)

[Power Supply](#)  
[Ambient conditions](#)  
[Plug-in System](#)  
[Dimensions](#)  
[Status](#)

QorIQ LS1012A  
DDR3L SDRAM,  
NOR Flash  
EEPROM  
3.3 VDC  
Extended  
155 pin, LGA  
31 mm \* 31 mm  
Prototype Q4/2018  
Series planned for Q1/19

# MBLS1012AL Platform



- Single-Board-Computer based on TQMLS1012AL
- Extended temperature range
- Compact design 16x 10cm
- Low Power / Ultra Low Power
- Easy to customise
- M.2 SATA for Data storage
- Perfectly suitable as an IoT-Gateway
- Easy to expand via 2x Mini-PCle-Card-Slots

**Bottom side:** 2x Mini PCIe Slot (1x only USB2.0 and SIM Card support), M.2 SATA, SD Card



# Elevator Pitch TQMLS10xxA

## This is what you should know!

- Up to 2x 10 Gigabit Ethernet for wired or optical High Speed Ethernet
- High speed interfaces for fast data communication (3x PCIe, up to 10x Gigabit Ethernet, 2x USB 3.0, SATA 3.0)
- Scalable computing power from the Dual/Quad Cortex A53 /A72 up to the Octal Cortex A53 for a maximum flexibility to realize industrial networking controls
- Highest data throughput through the use of the latest network technology to realize edge servers, protocol converters, network nodes
- Large memory capacity of up to 8GB RAM for the implementation of demanding applications



### Processor

QorIQ LS1023A, LS1043A  
LS1026, LS1046, LS1088A

### Memory

DDR4 SDRAM  
eMMC Flash  
NOR Flash  
EEPROM

### Power Supply

5 VDC

### Ambient conditions

Extended

### Plug-in System

420 pin, 0.8 mm pitch

### Dimensions

80 mm \* 60 mm

### Status

Prototype Q4/2018  
Series planned for Q1/19