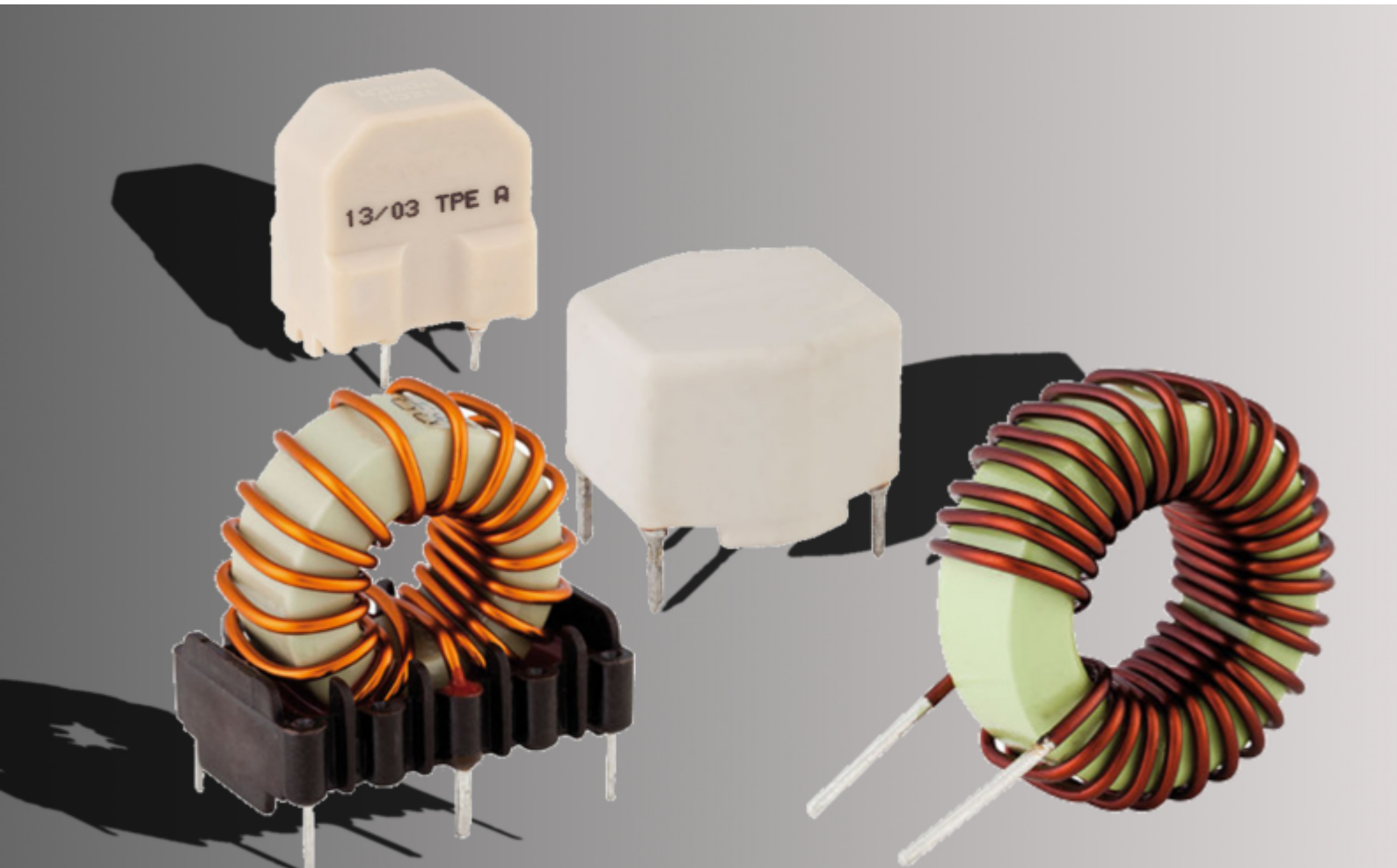


Tech Power[®]

Components



Storage Chokes

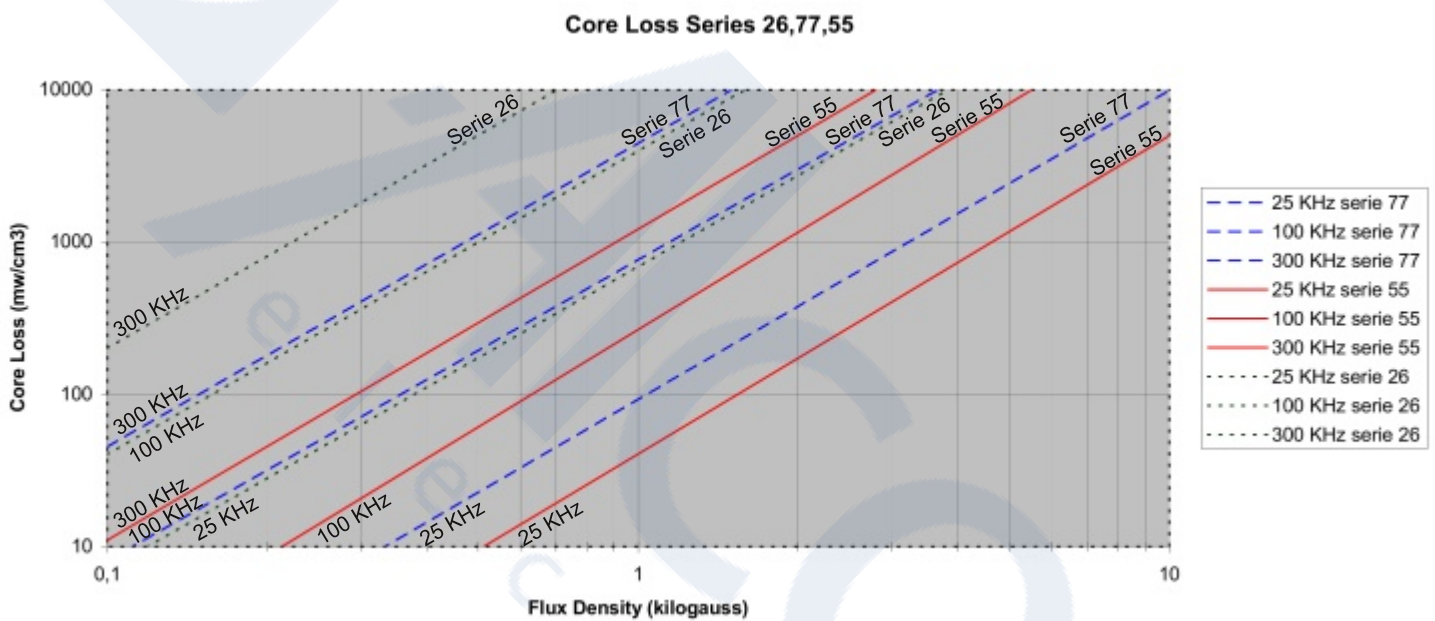
To meet customers' needs, Tech Power electronics offers a large range of storage chokes in various mounting configurations and frequency ranges.

Three Frequency Ranges:

- **Standard:** <50kHz - P/NN starting by 26xxxx
- **Medium:** <100kHz: P/N starting by 77xxxx
- **High:** from 50kHz to 300kHz: P/N starting by 55xxxx



Find below curve of core losses versus frequency for the 3 series 26,77 & 55



For example, core losses for 1 cm³ at 1000 Gauss and at 100 KHz frequency:

- Serie 55 = 350 mW
- Serie 77 = 900 mW
- Serie 26 = 4000 mW

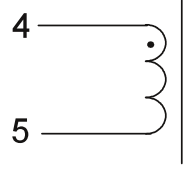
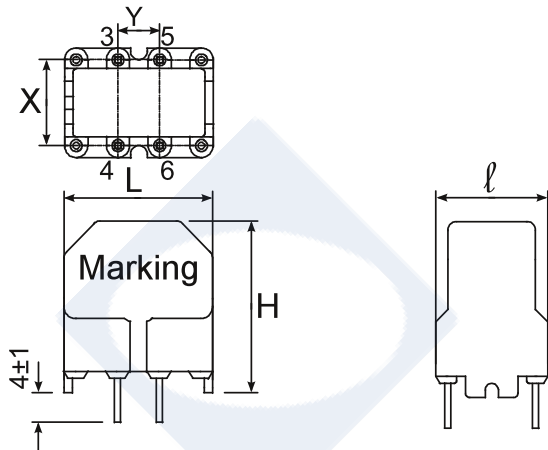
The choke size is determined by the admissible losses for each series.

On the datasheet of each choke, you will find the losses at several frequencies.

Mounting configurations :

- Bare coil with tinned outputs - P/N with "SNV"
- Vertical encapsulated - P/N with "BV"
- Horizontal encapsulated - P/N with "BH"
- Vertical on base - P/N with "EE"

BV Mounting - Characteristics



Up to 2.5A

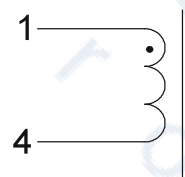
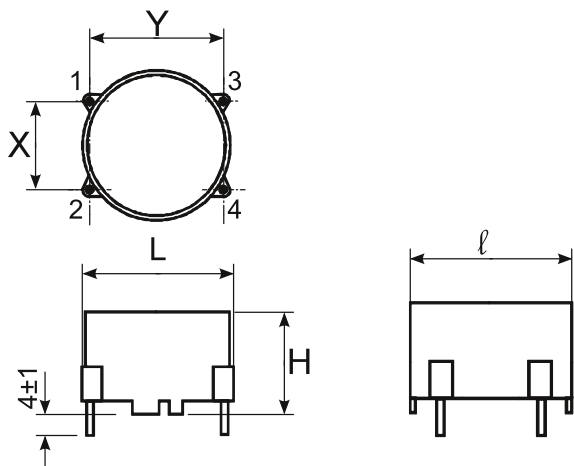
- Inductance: 4 - 5
- Blind Pins: 3 - 6

From 4A to 6.3A

- Inductance: connected in // Inductance 3 - 4 & 5 - 6

Volume	L	ℓ	H	X	Y
2	19	9	16	5	15
3	18	13	20	10	5
4	23	15.5	25	12.5	10
5	27	18	30	15	12.5
6	32	20.5	35	17.5	12.5
7	35	23	37	20	15
9	43	28	47.5	25	25

BH Mounting - Characteristics



Up to 2.5A

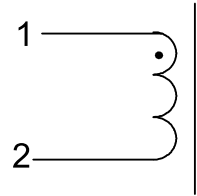
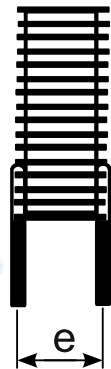
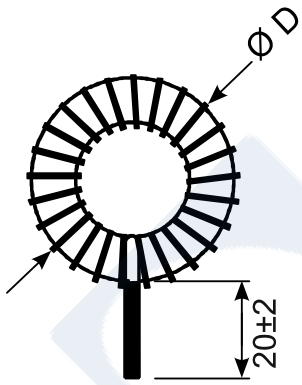
- Inductance: 1 - 4
- Blind Pins: 2 - 3

From 4A to 6.3A

- Inductance: connected in // inductance 1 - 3 & 2 - 4

Volume	L	ℓ	H	X	Y
3	17.5	17	12.5	10	15
4	22.5	22	15	12.5	20
5	27.5	27	17.5	15	25
6	32.5	32	20	20	30
7	42	42	28.5	25	35
9	42	42	28.5	25	35

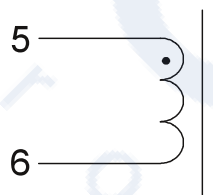
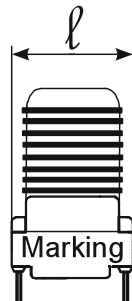
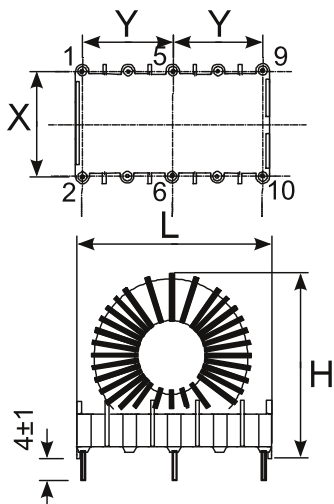
SNV Mounting - Characteristics



- Inductance: 1 - 2

Volume	ØD max	e
2	13	5
3	16	7.5
4	21	10
5	25	12.5
6	30	12.5
7	35	20
9	43	17.5
10	49	20
12	54	22.5

EE Mounting - Characteristics



- Inductance: 5 - 6
- Blind Pins: 1 - 2 - 9 - 10

Volume	L	l	H	X	Y
3	24	16	25	12.5	10
4	24	16	30	12.5	10
5	28	18	32.5	15	12.5
6	34	24	35	20	15
7	36	24	38	20	15
9	44	26	46	22.5	20
10	55	30	52	22.5	22.5
12	55	30	52	22.5	22.5

Models for I_{dc} : 0.3A

Inductance Value (μH)	L (μH) ±10% at no-load	L (μH) min at rated current	DCR (mΩ) max	TPE P/N	Volume	Type			
						SN	BH	BV	EE
16	16	14	220	26102XX	2	X		X	
	17	15	160	77102XX		X		X	
	16	14	190	55102XX		X		X	
25	27	23	280	26152XX	2	X		X	
	26	23	280	77152XX		X		X	
40	43	35	350	26202XX	2	X		X	
	41	35	350	77202XX		X		X	
63	69	55	440	26252XX	2	X		X	
	67	57	320	77252XX		X		X	
	63	55	360	55252XX		X		X	
100	112	88	560	26302XX	2	X		X	
	106	91	400	77302XX		X		X	
	100	88	450	55302XX		X		X	
160	181	140	710	26352XX	2	X		X	
	172	140	580	77352XX		X		X	
	165	140	580	55352XX		X		X	
250	330	224	910	26402XX	2	X		X	
	270	220	740	77402XX		X		X	
	263	224	730	55402XX		X		X	
400	498	350	1180	26452XX	2	X		X	
	445	350	800	77452XX		X		X	
	464	350	930	55452XX		X		X	
630	894	555	1730	26502XX	3	X	X	X	X
	773	555	1470	77502XX		X	X	X	X
	688	560	1180	55502XX	2	X		X	

Models for I_{dc} : 0.6A

Inductance Value (μH)	L (μH) ±10% at no-load	L (μH) min at rated current	DCR (mΩ) max	TPE P/N	Volume	Type			
						SN	BH	BV	EE
16	18	14.5	100	26104XX	2	X		X	
	17	14.5	70	77104XX		X		X	
	17	15	85	55104XX		X		X	
25	27	22	120	26154XX	2	X		X	
	24	21	90	77154XX		X		X	
	24	21	100	55154XX		X		X	
40	45	35	160	26204XX	2	X		X	
	45	37	120	77204XX		X		X	
	41	35	130	55204XX		X		X	
63	75	55	200	26254XX	2	X		X	
	60	55	140	77254XX		X		X	
	64	55	160	55254XX		X		X	
100	124	88	260	26304XX	2	X		X	
	112	88	180	77304XX		X		X	
	106	88	205	55304XX		X		X	
160	205	140	380	26354XX	3	X	X	X	X
	176	140	320	77354XX	2	X	X	X	X
	172	140	265	55354XX	2	X		X	
250	350	220	500	26404XX	3	X	X	X	X
	290	222	420	77404XX		X	X	X	X
	274	222	410	55404XX		X	X	X	X
400	552	350	640	26454XX	4	X	X	X	X
	484	350	540	77454XX	3	X	X	X	X
	455	350	520	55454XX		X	X	X	X
630	845	555	840	26504XX	4	X	X	X	X
	806	555	700	77504XX	3	X	X	X	X
	794	555	700	55504XX		X	X	X	X

Models for I_{dc} : 1A

Inductance Value (μH)	L (μH) ±10% at no-load	L (μH) min at rated current	DCR (mΩ) max	TPE P/N	Volume	Type			
						SN	BH	BV	EE
16	18	13.5	55	26106XX	2	X		X	
	17	14	40	77106XX		X		X	
	17	14.5	45	55106XX		X		X	
25	27	22	80	26156XX	3	X	X	X	X
	26	22	50	77156XX	2	X		X	
	26	22	60	55156XX		X		X	
40	50	35	100	26206XX	3	X	X	X	X
	45	35	65	77206XX	2	X		X	
	41	35	70	55206XX		X		X	
63	92	55	140	26256XX	3	X	X	X	X
	68	55	110	77256XX		X	X	X	X
	68	55	90	55656XX	2	X		X	
100	145	88	180	26306XX	3	X	X	X	X
	113	88	150	77306XX		X	X	X	X
	108	88	140	55306XX		X	X	X	X
160	250	118	320	26356XX	3	X	X	X	X
	196	140	190	77356XX		X	X	X	X
	188	140	190	55356XX		X	X	X	X
250	354	225	310	26406XX	4	X	X	X	X
	307	210	260	77406XX	3	X	X	X	X
	340	225	260	55406XX		X	X	X	X
400	604	350	400	26456XX	4	X	X	X	X
	495	350	340	77456XX		X	X	X	X
	472	350	330	55456XX		X	X	X	X
630	923	555	570	26506XX	5	X	X	X	X
	840	555	450	77506XX	4	X	X	X	X
	870	555	450	55506XX		X	X	X	X

Models for I_{dc} : 1.6A

Inductance Value (μH)	L (μH) ±10% at no-load	L (μH) min at rated current	DCR (mΩ) max	TPE P/N	Volume	Type			
						SN	BH	BV	EE
16	20.6	15	45	26108XX	3	X	X	X	X
	19	15	30	77108XX	2	X		X	
	17	14	30	55108XX		X		X	
25	32	22	55	26158XX	3	X	X	X	X
	27	22	45	77158XX		X	X	X	X
	26	22	40	55158XX	2	X		X	
40	49	35	70	26208XX	4	X	X	X	X
	46	35	60	77208XX	3	X	X	X	X
	44	35	60	55208XX		X	X	X	X
63	80	54	90	26258XX	4	X	X	X	X
	78	54	80	77258XX	3	X	X	X	X
	80	54	90	55258XX		X	X	X	X
100	139	89	120	26308XX	4	X	X	X	X
	115	86	100	77308XX		X	X	X	X
	134	89	100	55308XX	3	X	X	X	X
160	215	140	180	26358XX	5	X	X	X	X
	195	140	140	77358XX	4	X	X	X	X
	195	140	140	55358XX		X	X	X	X
250	368	220	230	26408XX	5	X	X	X	X
	333	220	310	77408XX	4	X	X	X	X
	354	225	310	55408XX		X	X	X	X
400	668	340	310	26458XX	5	X	X	X	X
	610	350	240	77458XX	4	X	X	X	X
	476	350	340	55458XX	5	X	X	X	X
630	968	560	430	26508XX	7	X	X	X	X
	980	555	335	77508XX	5	X	X	X	X
	870	555	460	55508XX		X	X	X	X

Models for I_{dc} : 2.5A

Inductance Value (μH)	L (μH) ±10% at no-load	L (μH) min at rated current	DCR (mΩ) max	TPE P/N	Volume	Type			
						SN	BH	BV	EE
16	23	14	30	26110XX	3	X	X	X	X
	19	14	20	77110XX	2	X		X	
	19	14.5	20	55110XX		X		X	
25	33	22	40	26160XX	4	X	X	X	X
	29.5	22	30	77160XX	3	X	X	X	X
	32	22	25	55160XX	2	X		X	
40	56	35	50	26210XX	4	X	X	X	X
	50	35	40	77210XX	3	X	X	X	X
	53	35	40	55210XX		X	X	X	X
63	98	55	65	26260XX	4	X	X	X	X
	78	55	55	77260XX		X	X	X	X
	74	55	55	55260XX		X	X	X	X
100	144	88	90	26310XX	5	X	X	X	X
	133	88	70	77310XX	4	X	X	X	X
	139	88	70	55310XX		X	X	X	X
160	264	140	120	26360XX	5	X	X	X	X
	213	140	100	77360XX		X	X	X	X
	190	140	135	55360XX		X	X	X	X
250	500	220	170	26410XX	5	X	X	X	X
	335	220	130	77410XX	6	X	X	X	X
	339	220	180	55410XX	5	X	X	X	X
400	643	350	230	26460XX	7	X	X	X	X
	605	350	170	77460XX	6	X	X	X	X
	530	350	230	55460XX		X	X	X	X
630	890	555	310	77510XX	7	X	X	X	X
	765	555	290	55510XX		X	X	X	X

Models for I_{dc} : 4A

Inductance Value (μH)	L (μH) ±10% at no-load	L (μH) min at rated current	DCR (mΩ) max	TPE P/N	Volume	Type			
						SN	BH	BV	EE
16	23	14	15	26112XX	4	X	X	X	X
	20	14	15	77112XX	3	X	X	X	X
	22.4	14	15	55112XX		X	X	X	X
25	39	22	20	26162XX	4	X	X	X	X
	32	22	15	77162XX		X	X	X	X
	44	22	20	55162XX	3	X	X	X	X
40	66	35	30	26212XX	5	X	X	X	X
	52	35	20	77212XX	4	X	X	X	X
	57	35	25	55212XX		X	X	X	X
63	108	55	80	26262XX	5	X	X	X	X
	93	55	30	77262XX	4	X	X	X	X
	93	55	30	55262XX	5	X	X	X	X
100	182	87	70	26312XX	5	X	X	X	X
	157	89	40	77312XX		X	X	X	X
	139	89	60	55312XX		X	X	X	X
160	263	140	70	26362XX	7	X	X	X	X
	243	140	50	77362XX	6	X	X	X	X
	217	140	70	55362XX		X	X	X	X
250	477	220	100	26412XX	7	X	X	X	X
	393	242	80	77412XX		X	X	X	X
	307	220	90	55412XX		X	X	X	X
400	722	350	150	26462XX	10	X			X
	690	350	170	77462XX	7	X	X	X	X
	516	350	130	55462XX	9	X	X	X	X
630	1156	555	200	26512XX	10	X			X
	893	555	200	77512XX		X			X
	968	555	180	55512XX		9	X	X	X

Models for I_{dc} : 6.3A

Inductance Value (μH)	L (μH) ±10% at no-load	L (μH) min at rated current	DCR (mΩ) max	TPE P/N	Volume	Type			
						SN	BH	BV	EE
16	25.5	14	15	26114XX	5	X	X	X	X
	20,8	14	10	77114XX	4	X	X	X	X
	23.3	14	10	55114XX		X	X	X	X
25	49	22	15	26164XX	5	X	X	X	X
	36	23	20	77164XX		X	X	X	X
	49	22	15	55164XX	4	X	X	X	X
40	76	35	22	26214XX	6	X			X
	61	35	17	77214XX	5	X	X	X	X
	54	35	23	55214XX		X	X	X	X
63	96	55	30	26264XX	7	X			X
	92	55	20	77264XX	6	X			X
	83	55	30	55264XX		X			X
100	188	87	40	26314XX	7	X			X
	132	84	30	77314XX		X			X
	170	88	40	55314XX	6	X			X
160	310	140	60	26364XX	9	X			X
	227	140	40	77364XX		X			X
	227	140	50	55364XX	7	X			X
250	445	220	80	26414XX	10	X			X
	340	217	55	77414XX		X			X
	368	200	70	55414XX	7	X			X
400	650	325	90	26464XX	12	X			X
	645	350	70	77464XX	10	X			X
630	1158	555	125	26514XX	12	X			X
	953	555	130	77514XX		X			X