

Prismatic Supercapacitor



Case WS21

See below:

Approvals and Compliances

Description

- Prismatic ultra-thin supercapacitors
- Single or double cell version
- Ultra-compact design
- High pulse power

Unique Selling Proposition

- Excellent low temperature performance
- High power density
- Low ESR with high current handling
- Very low self discharge

Applications

- Sensors
- Small mobile devices
- Small power supplies
- Mobile energy harvesting
- Uninterruptible power supply

Weblinks

[pdf data sheet](#), [html datasheet](#), [Distributor-Stock-Check](#), [Detailed request for product](#)

Technical Data

Rated Voltage	2.5 / 5V
Capacity	90 - 2400mF
Allowable Operation Temperature	-40 °C to 70 °C
RMS current	4.5 - 8A
Peak Current	30A
Mounting	PCB,SMT
Soldering Methods	Manual

Approvals and Compliances

Detailed information on product approvals, code requirements, usage instructions and detailed test conditions can be looked up in [Details about Approvals](#)

SCHURTER products are designed for use in industrial environments. They have approvals from independent testing bodies according to national and international standards. Products with specific characteristics and requirements such as required in the automotive sector according to IATF 16949, medical technology according to ISO 13485 or in the aerospace industry can be offered exclusively with customer-specific, individual agreements by SCHURTER.

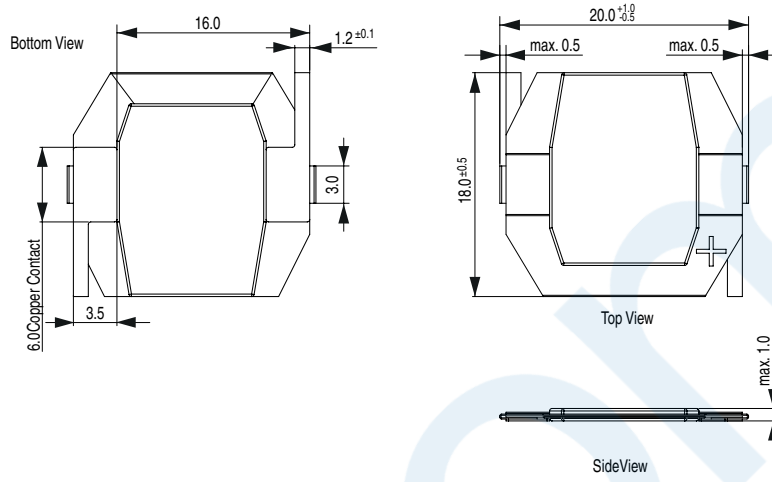
Compliances

The product complies with following Guide Lines

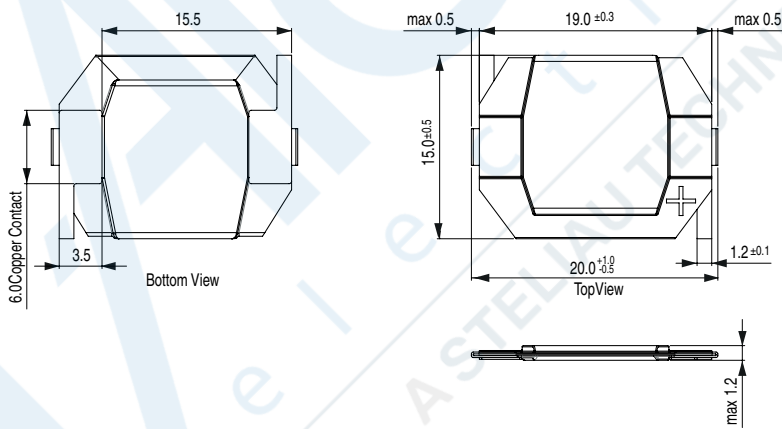
Identification	Details	Initiator	Description
	CE declaration of conformity	SCHURTER AG	The CE marking declares that the product complies with the applicable requirements laid down in the harmonisation of Community legislation on its affixing in accordance with EU Regulation 765/2008.
	UKCA declaration of conformity	SCHURTER AG	The UKCA marking declares that the product complies with the applicable requirements laid down in the British Amendment of Regulation (EC) 765/2008.
	RoHS	SCHURTER AG	Directive RoHS 2011/65/EU, Amendment (EU) 2015/863
	China RoHS	SCHURTER AG	The law SJ / T 11363-2006 (China RoHS) has been in force since 1 March 2007. It is similar to the EU directive RoHS.
	REACH	SCHURTER AG	On 1 June 2007, Regulation (EC) No 1907/2006 on the Registration, Evaluation, Authorization and Restriction of Chemicals 1 (abbreviated as "REACH") entered into force.

Dimension [mm]

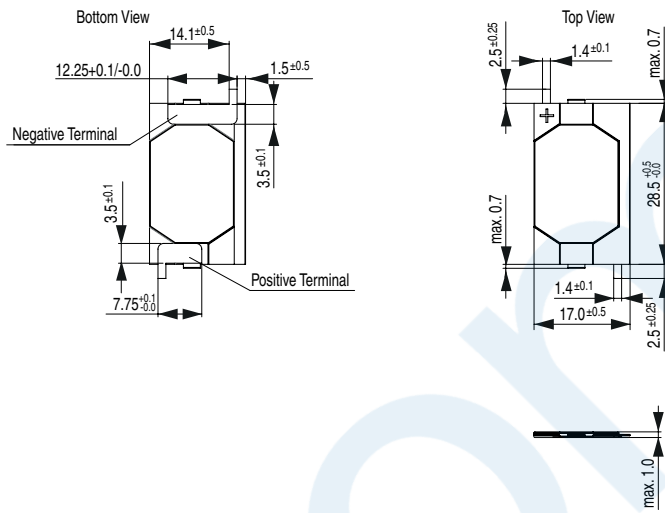
Case AS10



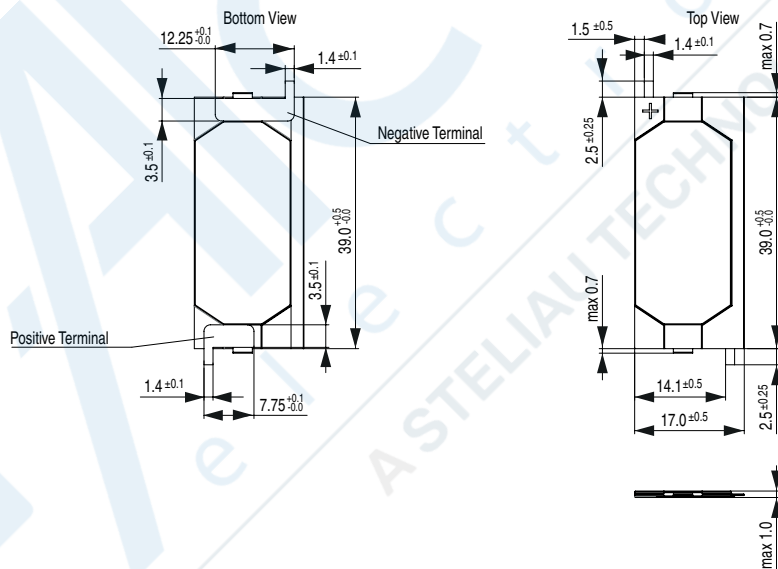
Case ZS12



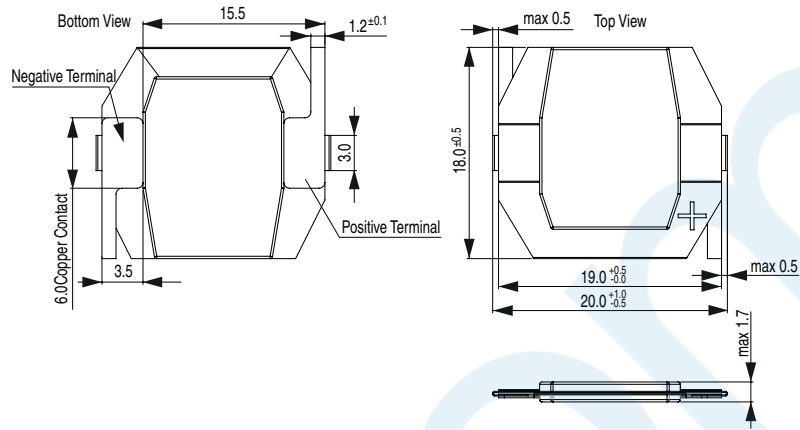
Case WS10



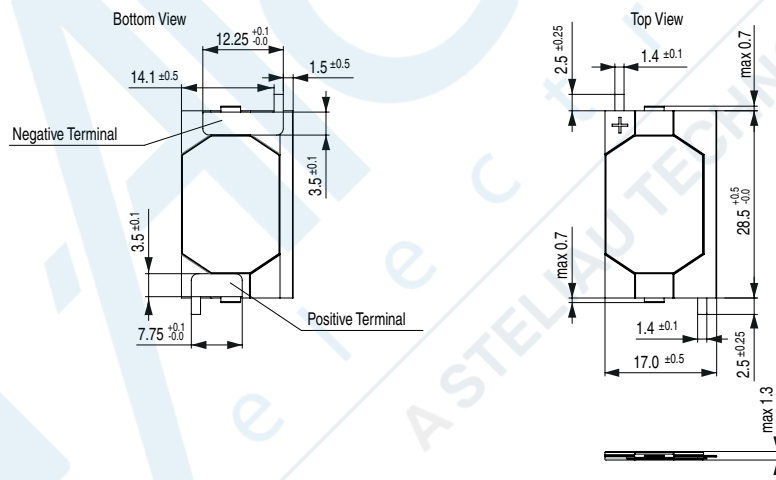
Case SS10



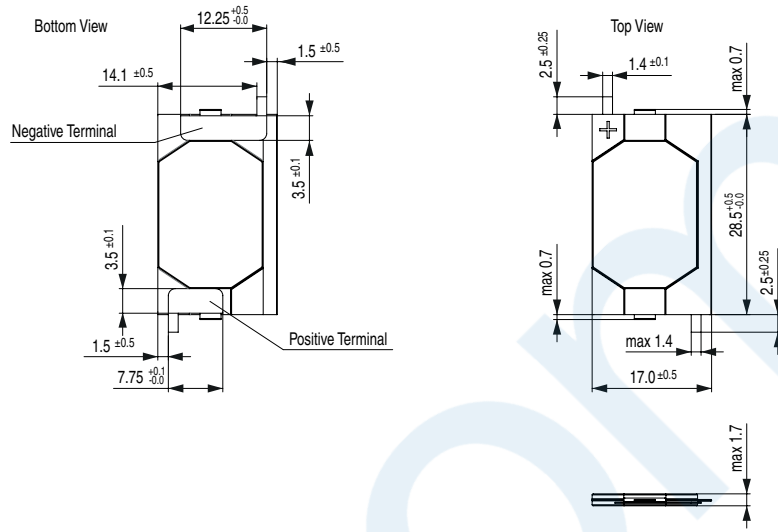
Case AS17



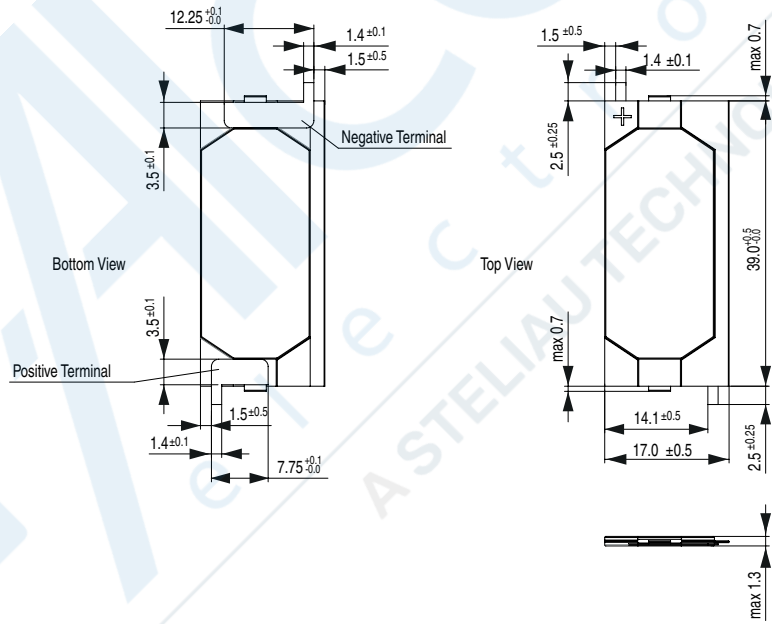
Case WS13



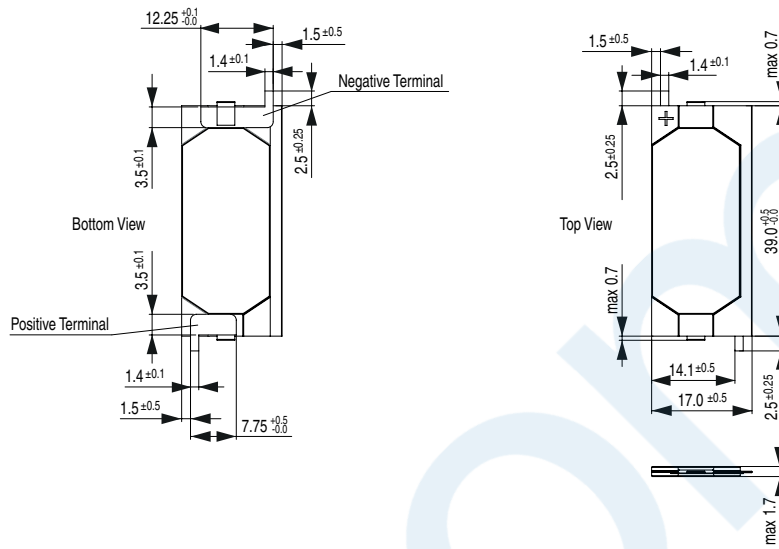
Case WS17



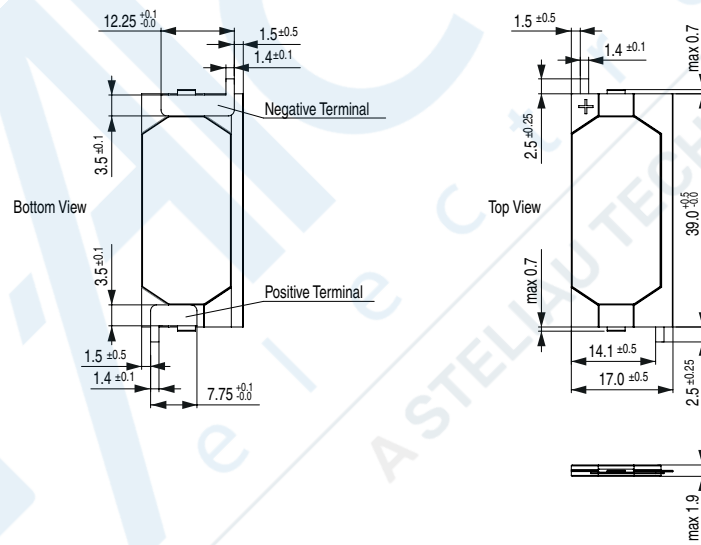
Case SS13



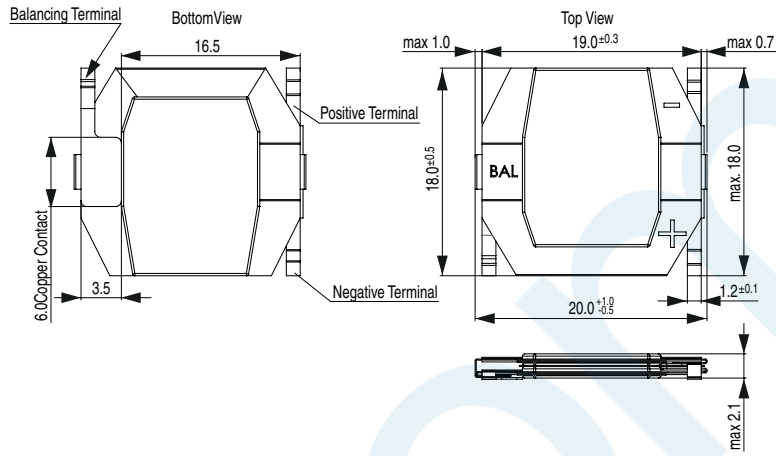
Case SS17



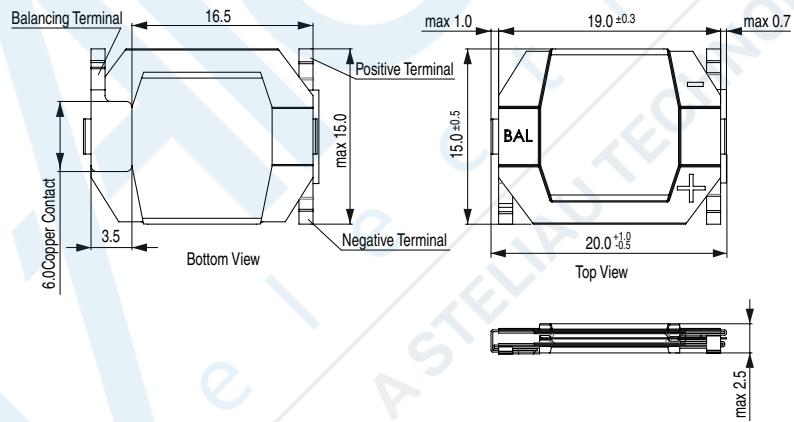
Case SS19



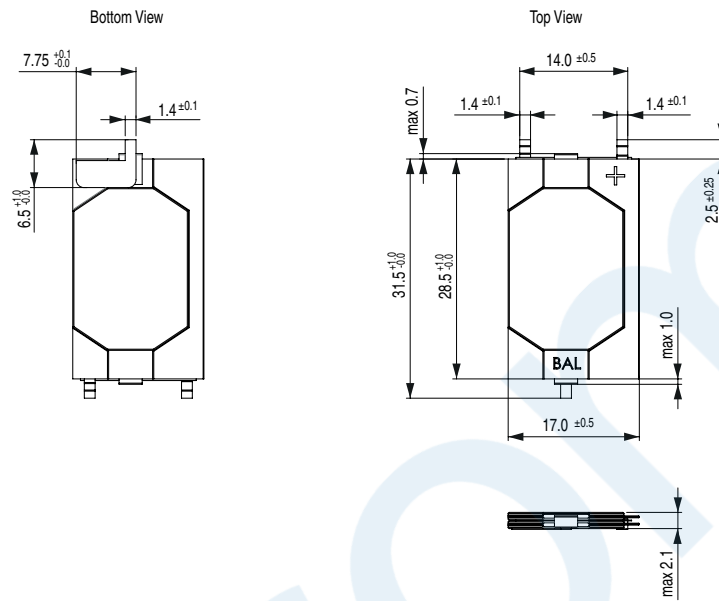
Case AS21



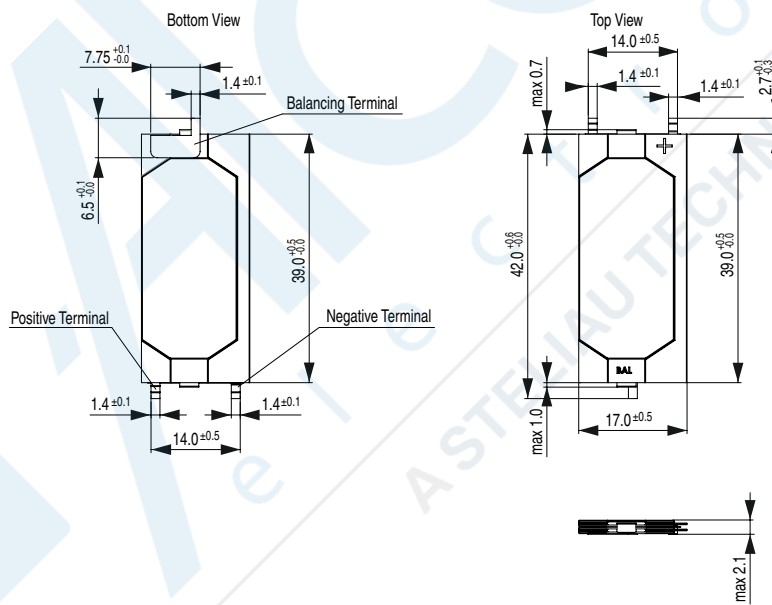
Case ZS21



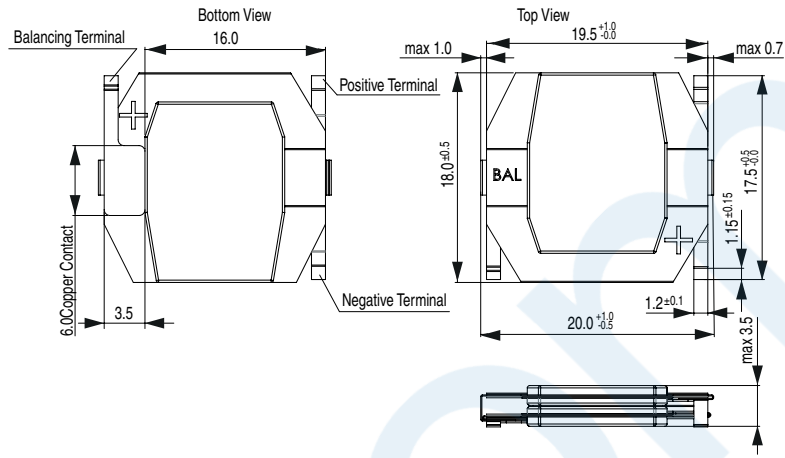
Case WS21



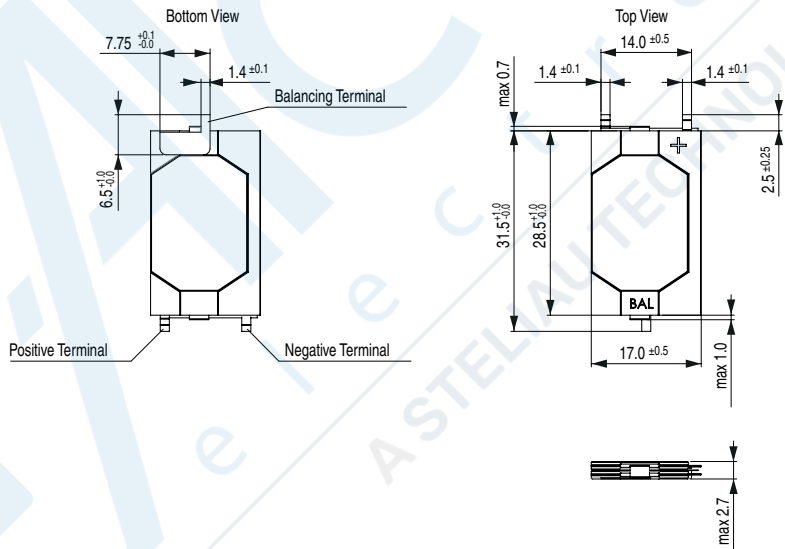
Case SS21



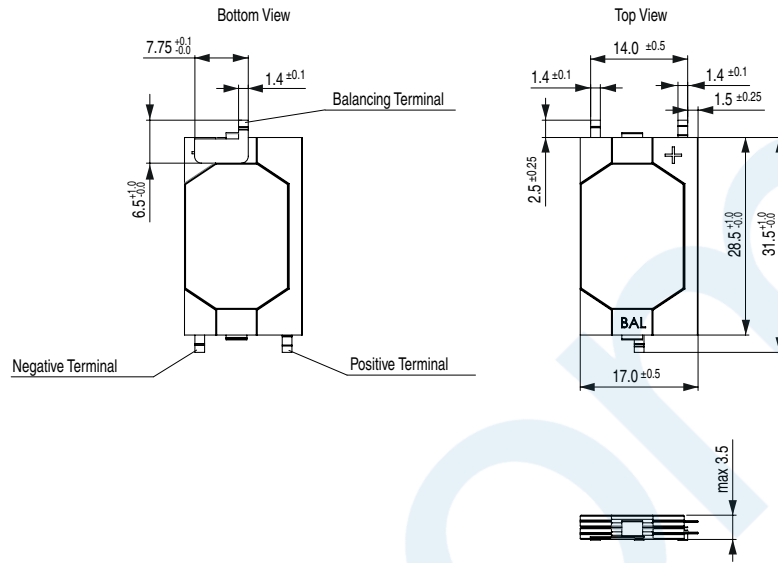
Case AS35



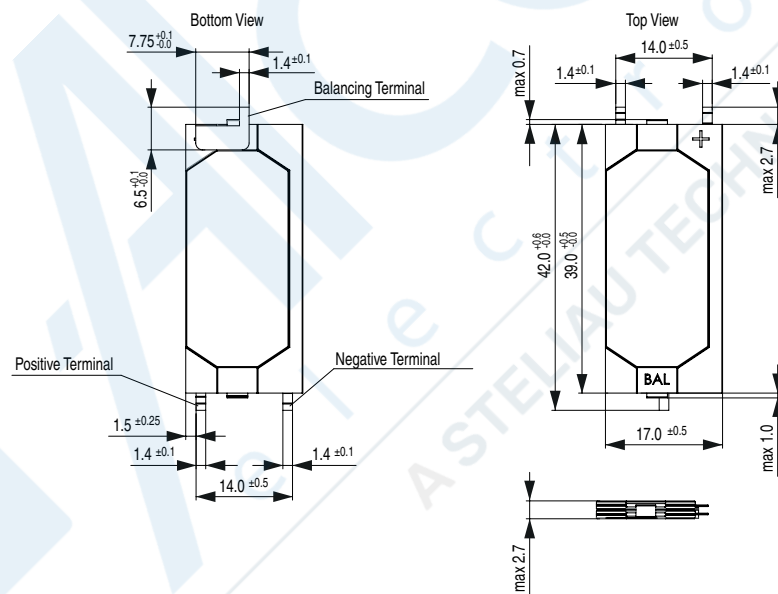
Case WS27



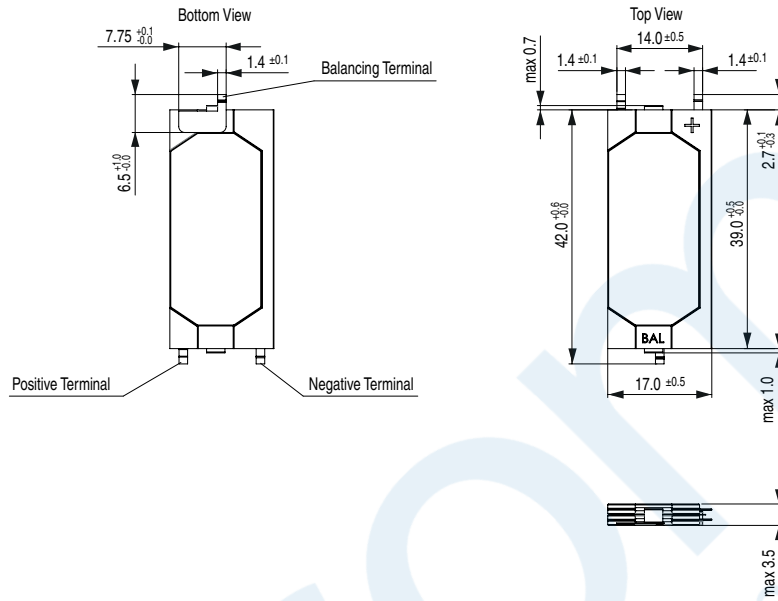
Case WS34



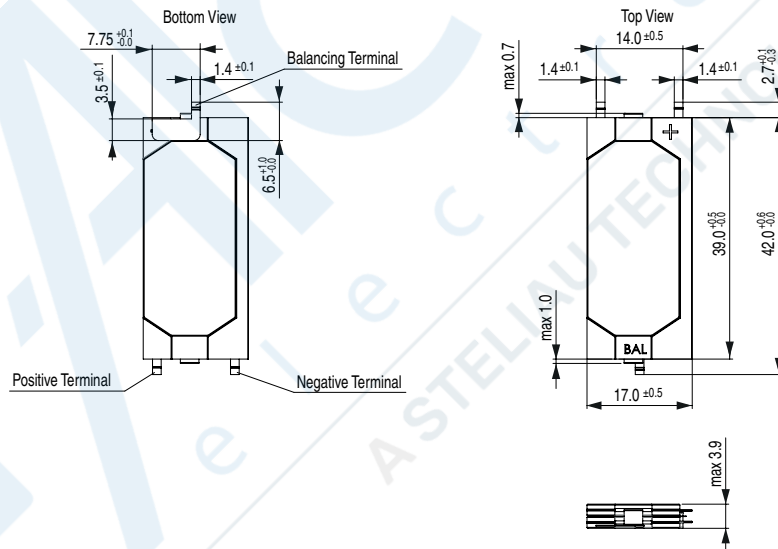
Case SS27



Case SS34



Case SS39



Variants

Cell Type	Rated Voltage [V]	Capacity [mF]	ESR [mΩ]	Leakage Current typ. [μA]	Leakage Current max. [μA]	RMS current [A]	Peak Current [A]	Housing	Order Number
Low ESR Single Cell	2.5	170	50	1	2	4.5	30	AS10	3-153-413
Low ESR Single Cell	2.5	180	55	1	2	4.5	30	ZS12	3-153-414
Low ESR Single Cell	2.5	320	30	0.5	1	6	30	WS10	3-153-415
Low ESR Single Cell	2.5	540	20	1	2	8	30	SS10	3-153-416
Low ESR Single Cell	2.5	800	40	1	2	4.5	30	AS17	3-153-417
Low ESR Single Cell	2.5	800	30	1	2	6	30	WS13	3-153-418
Low ESR Single Cell	2.5	1040	20	1	2	7.5	30	WS17	3-153-419
Low ESR Single Cell	2.5	1360	20	1.5	3	7.5	30	SS13	3-153-420

Cell Type	Rated Voltage [V]	Capacity [mF]	ESR [mΩ]	Leakage Current typ. [μA]	Leakage Current max. [μA]	RMS current [A]	Peak Current [A]	Housing	Order Number
Low ESR Single Cell	2.5	1800	15	2	4	8	30	SS17	3-153-421
Low ESR Single Cell	2.5	2400	15	2.5	5	8	30	SS19	3-153-422
Low ESR Dual Cell	5	90	95	1	2	4.5	30	AS21	3-153-423
Low ESR Dual Cell	5	90	110	1	2	4.5	30	ZS21	3-153-424
Low ESR Dual Cell	5	160	55	0.5	1	6	30	WS21	3-153-425
Low ESR Dual Cell	5	270	35	1	2	8	30	SS21	3-153-426
Low ESR Dual Cell	5	400	75	1	2	4.5	30	AS35	3-153-427
Low ESR Dual Cell	5	400	55	1	2	6	30	WS27	3-153-428
Low ESR Dual Cell	5	520	40	1	2	7.5	30	WS34	3-153-429
Low ESR Dual Cell	5	680	35	1.5	3	7.5	30	SS27	3-153-430
Low ESR Dual Cell	5	900	25	2	4	8	30	SS34	3-153-431
Low ESR Dual Cell	5	1200	25	2.5	5	8	30	SS39	3-153-432

Availability for all products can be searched real-time: <https://www.schurter.com/en/info-center/support-tools/stock-check-distributors>

Packaging Unit 100 Pcs