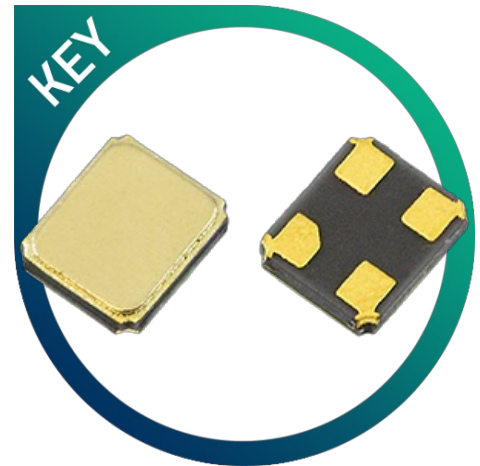


# GSX-113

## Ultra miniature low profile SM Crystal



- Fundamental mode up to 80.0MHz
- Ultra-miniature for maximum space saving
- Low profile and low weight for smart cards
- Seam sealed for excellent long-term stability
- Compatible with latest ASIC designs

### CONFIGURABLE OPTIONS

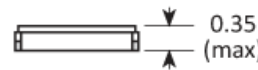
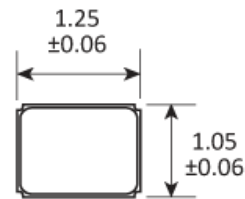
Parameter	Option Code
<b>Frequency</b>	
<b>Calibration tolerance</b>	
Any	
±5ppm	L
±10ppm	1
±20ppm	2
±30ppm	3
<b>Temperature stability</b>	
Any	
±10ppm	1
±15ppm	P
±20ppm	2
±30ppm	3
<b>Operating temperature range</b>	
Any	
-20 to +70 °C	2
-30 to +80 °C	3
-40 to +85 °C	4
<b>Circuit condition</b>	
Any	
5pF	R
6pF	T
8pF	M
10pF	A
12pF	B
<b>Oscillation mode</b>	
Fundamental	F

\* ±5ppm calibration tolerance may not be available at certain frequencies. Check with our sales office before ordering

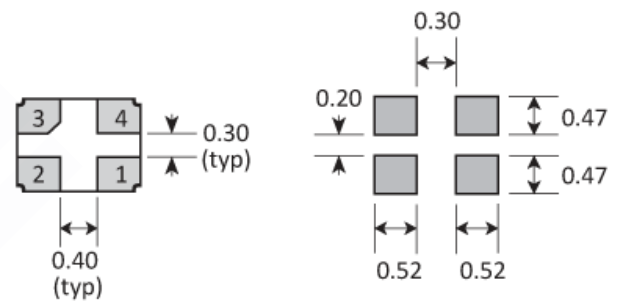
## SPECIFICATIONS

Frequency range	32.0 ~ 80.0MHz
Dimensions	1.25 x 1.05 x 0.35mm
Storage temperature range	-40 to +125 °C
Equivalent series resistance	120Ω max @ 32.0MHz 100Ω max @ 40.0MHz 60Ω max @ 48.0MHz 40Ω max @ 76.8MHz
Ageing	±1ppm max first year
Test drive level	10μW
Soldering condition	260 °C, 10 sec x2 max

## PACKAGE DRAWING



### SOLDER PAD LAYOUT



PAD	CONNECTION
1	Crystal
2	Not connected
3	Crystal
4	Ground & lid

Dimensions in mm

## ORDERING INFORMATION

To request a quotation for the GSX-113 please use the configurable options form to choose the options you require and then submit your configured product to our team. Our expert advisers are always happy to help with your requirements and can be contacted on +44 1460 256 100 or at [sales@golledge.com](mailto:sales@golledge.com).

Following product selection you will be issued with a seven character Golledge part number. Your Golledge part number is the internationally accepted Golledge manufacturing part number (MPN) that should be used for all project documentation, including bills of materials (BoMs) and purchase orders.

If you have any queries regarding any of our documentation our dedicated sales team will be happy to help.

## APPLICATIONS

Our crystals and oscillators are regularly supplied for use with industry-leading ICs, from world-leading manufacturers including:

Analogue Devices  
 Atmel (Microchip Technology Inc.)  
 Broadcom  
 Dialog Semiconductor PLC  
 Intel  
 Nordic Semiconductor  
 NXP Semiconductors  
 Qualcomm (and CSR)  
 Silicon Labs  
 STMicroelectronics  
 Texas Instruments (TI)  
 Xilinx  
 and more...

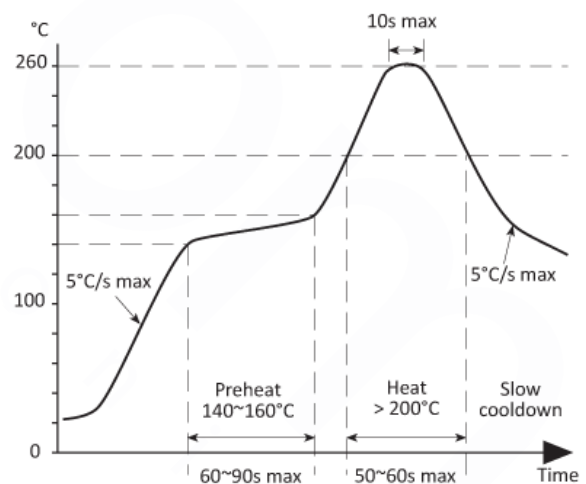
If you'd like more information about chipset compatibility please [get in touch with our team here](#).

## MARKING

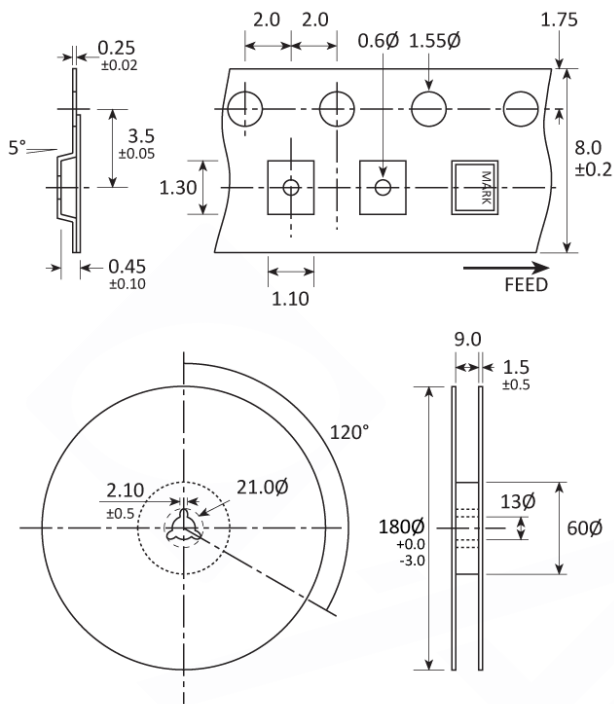
FREQUENCY T DC
-------------------

Marking type: Laser  
 DC = Date code

## SOLDERING PROFILE



## TAPE & REEL SPECIFICATION



Dimensions in mm

## CONSTRUCTION

Ceramic body with gold-plated pads  
Metal lid, seam sealed

## HANDLING & STORAGE



Human Body Model (HBM) 1A (250V to <500V)



Moisture Sensitivity Level (MSL): 1 (or not applicable)

## CONSTRUCTION

Ceramic body with gold-plated pads  
Metal lid, seam sealed

## MATERIAL COMPOSITION



Lead-free (< 0.1% by weight)



RoHS compliant with no exemptions. [See our declaration](#)



REACH compliant. [See our statement](#)



Free of conflict minerals. [See our declaration](#)



Free of Halogens. [See our declaration](#)



Free of Ozone-depleting substances. [See our declaration](#)



Nominal Net Mass: 1.69mg

## OTHER INFORMATION

### About Golledge

We are the UK's leading supplier of frequency control products and are proud to serve the global electronics industry. Our philosophy is a focus firmly on your requirements by striving to meet and exceed your needs. We do this by ensuring the utmost quality and consistency in our products and services. If you have any queries about the Golledge service or any of our products please get in touch, we'd love to hear from you.

### Come and visit

Eaglewood Park, ILMINSTER,  
Somerset, TA19 9DQ, England

### Give us a call

Tel: +44 1460 256 100  
Fax: +44 1460 256 101

### Email us

[sales@golledge.com](mailto:sales@golledge.com)

### Our Worldwide Distributors

#### Belgium & Luxembourg

Alcom Electronics NV/SA



**Email** [info@alcom.be](mailto:info@alcom.be)  
**Web** [www.alcom.be](http://www.alcom.be)  
**Tel** +32 (0)3 458.30.33

#### China, Hong Kong - 中国 / 香港

Meiya China



**Email** [sales@meiyatech.com](mailto:sales@meiyatech.com)  
**Web** [www.meiyatech.com](http://www.meiyatech.com)  
**Tel** +86 755 2823 1923

#### France

Equipments Scientifique



**Email** [comp@es-france.com](mailto:comp@es-france.com)  
**Web** [www.es-france.com](http://www.es-france.com)  
**Tel** +33 1 47 95 99 89

#### Germany

MEV Elektronik Service GmbH



**Email** [info@mev-elektronik.com](mailto:info@mev-elektronik.com)  
**Web** [www.mev-elektronik.com](http://www.mev-elektronik.com)  
**Tel** +49 54 24 23 40-0

#### India

V5 Semiconductors



**Email** [sales@v5semiconductors.com](mailto:sales@v5semiconductors.com)  
**Web** [v5semiconductors.com](http://v5semiconductors.com)  
**Tel** +91-80-2661 0621

#### Israel

Phoenix Technologies Ltd



**Email** [sales@phnx.co.il](mailto:sales@phnx.co.il)  
**Web** [www.phnx.co.il](http://www.phnx.co.il)  
**Tel** +972 9 764 4800

#### Netherlands

Alcom Electronics BV



**Email** [info@alcom.nl](mailto:info@alcom.nl)  
**Web** [alcom.nl](http://alcom.nl)  
**Tel** +31 (0)10 288.25.00

#### Norway & Sweden

Link Nordic



**Email** [thomas.olaussen@linknordic.com](mailto:thomas.olaussen@linknordic.com)  
**Web** [linknordic.com](http://linknordic.com)  
**Tel** +47 92 23 37 54

#### Russia - Россия

EFO Ltd



**Email** [elena@efo.ru](mailto:elena@efo.ru)  
**Web** [www.golledge.ru](http://www.golledge.ru)  
**Tel** +7(812)327-8654

#### Spain & Portugal

R.C. Microelectronica, S.A.



**Email** [ventas@rcmicro.es](mailto:ventas@rcmicro.es)  
**Web** [www.rcmicro.es](http://www.rcmicro.es)  
**Tel** +34 93 260 21 66

Our customer feedback is testament to our quality; "Never had such good service as this from anyone in 35 years of being in the industry, this is impressive and has really helped us out of a corner to keep the design flowing" Andy (Senior Design Engineer), "As always your support is state of the art" Nicoleta (Material Management), "Legendary work - as usual it has to be said" John (Operations).  
To take advantage of our highly praised service get in touch with us today.