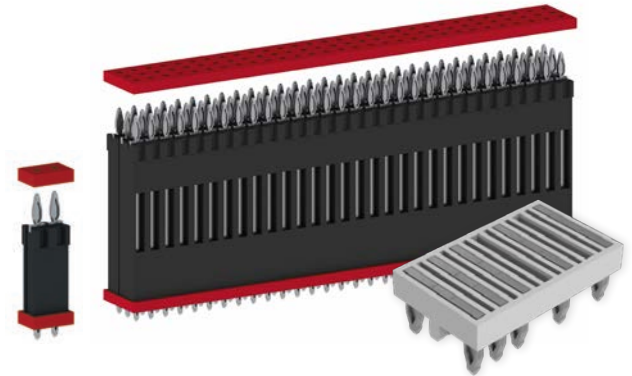


Flexible, robust, reliable

The flexilink is a flexible, non-pluggable PCB connector that impresses with its space-saving design and high current-carrying capacity of 11 amps per pin and ensures reliable connections under mechanical loads such as shock and vibration thanks to the press-fit technology.



Press-fit



Parallel



Horizontal



Robust



Key features:

- Space and cost savings
- Replaces spacer
- Single component connection
- High mechanical load, shock & vibration
- Elimination of the soldering process by press-fitting
- Individual PCB spacing available
- Press-fit zone Tcom press®

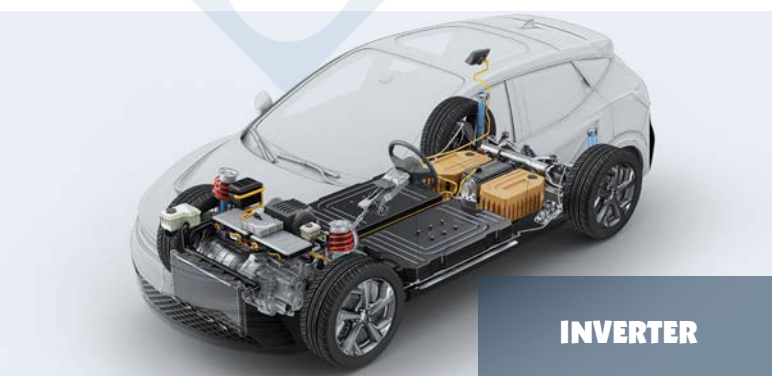
Applications:

- Board-to-board (mezzanine)
from 5 to 25 mm in 5 mm increments
- Parallel connections with flexilink_{btt}
- Horizontal connections with flexilink_{jumper}

To the flexilink video:

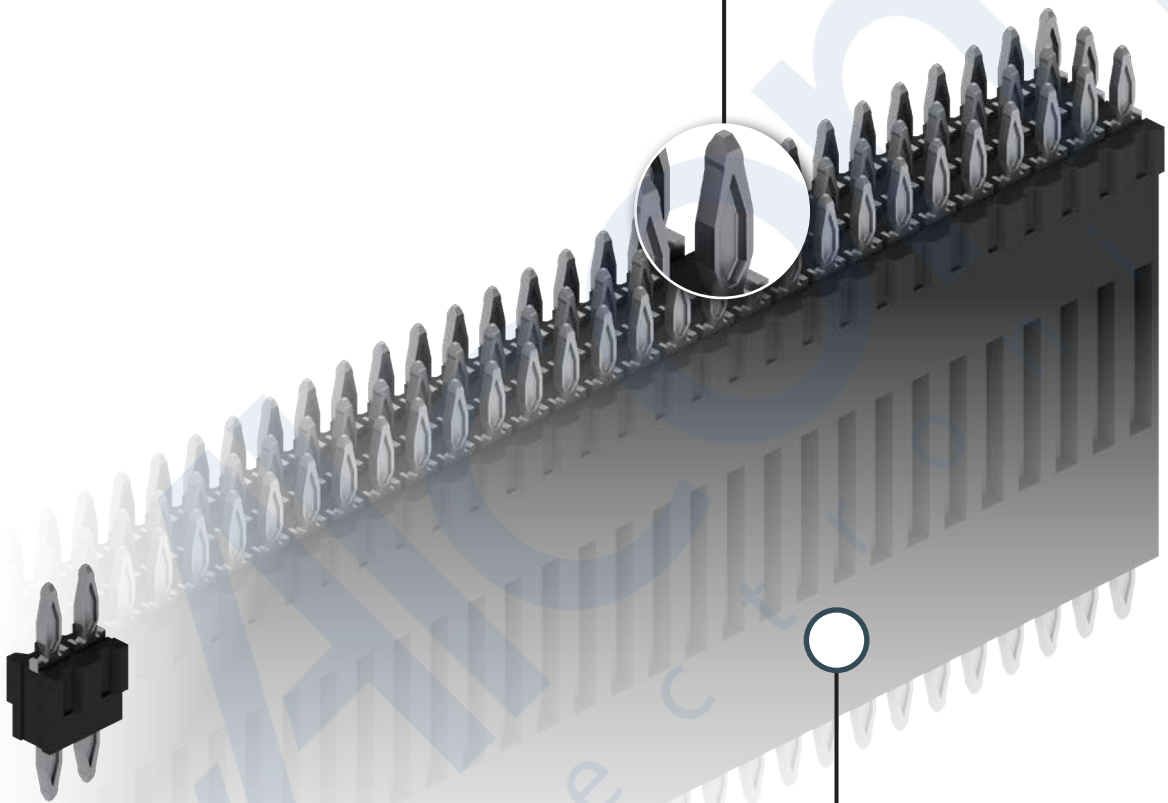


<https://youtu.be/9mug7jQYhKs>





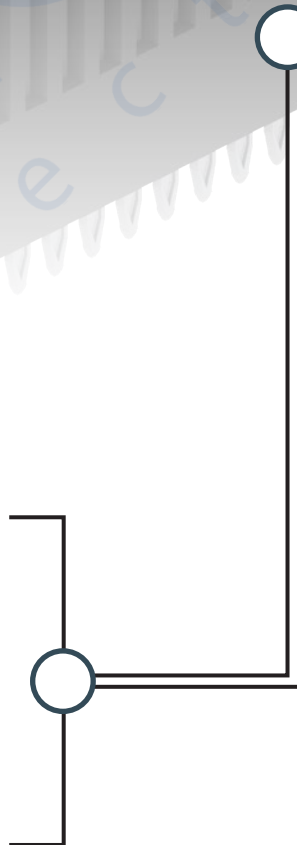
Tcom press® press-fit zone
Elimination of the soldering process
by press-fitting



Cost saving
Only one component for the connection.
Spacer not necessary

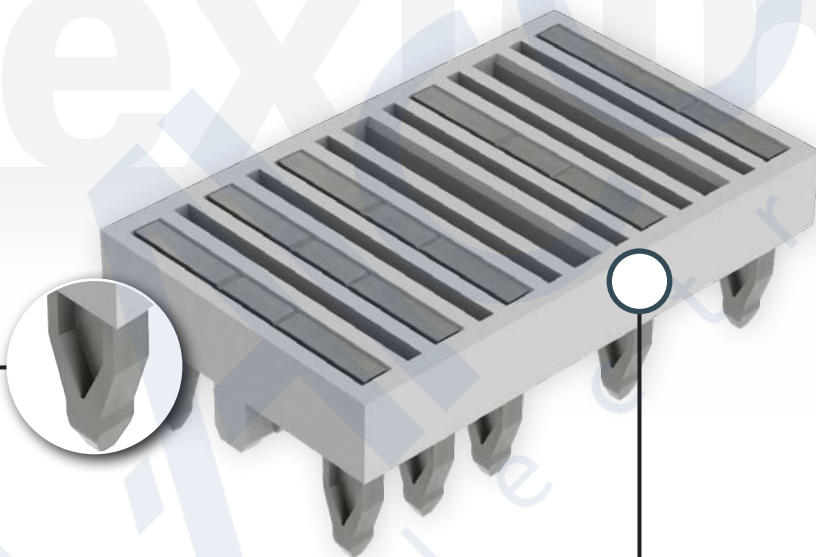


Robust
Robust mechanical connection
for maximum reliability.





Tcom press® press-fit zone
Elimination of the soldering process
by press-fitting



Other features:

- One-piece connector without competition
- Bulk material or tray
- Special versions and other heights available on request