

HMX

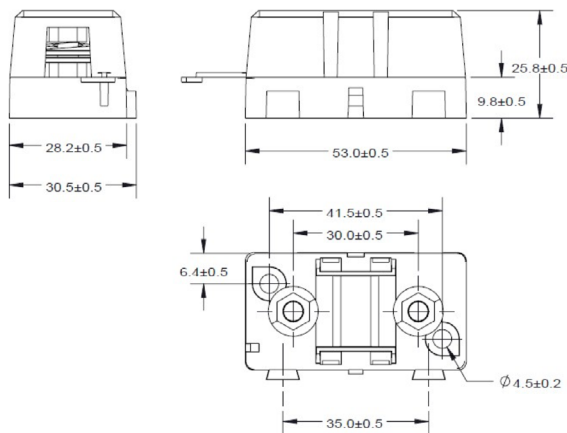
Fuse holder



Product features

- Current rating continuous: 150 A
- 100 Vac/dc, up to 200 A rating
- Flammability: UL94 V-0
- Operating temperature: -40 °C to +125 °C

Dimensions- mm



Bolt size M5, recommended torque 3.5 - 4 N-m

Packaging

- 20 pcs per inner box
- 120 pcs per outer carton

Environmental compliance



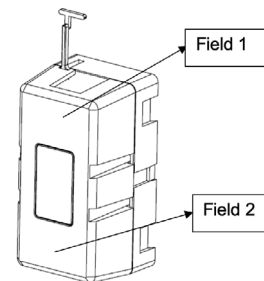
Ordering part number

HMX-111

Family name _____

Code _____

Marking



Field 1	Field 2
EATON BUSSMANN SERIES	HMX-111

Life Support Policy: Eaton does not authorize the use of any of its products for use in life support devices or systems without the express written approval of an officer of the Company. Life support systems are devices which support or sustain life, and whose failure to perform, when properly used in accordance with instructions for use provided in the labeling, can be reasonably expected to result in significant injury to the user.

Eaton reserves the right, without notice, to change design or construction of any products and to discontinue or limit distribution of any products. Eaton also reserves the right to change or update, without notice, any technical information contained in this bulletin.

Eaton
Electronics Division
1000 Eaton Boulevard
Cleveland, OH 44122
United States
Eaton.com/electronics

© 2022 Eaton
All Rights Reserved
Printed in USA
Publication No. ELX1230 BU-ELX22090
November 2022

Eaton is a registered trademark.

All other trademarks are property
of their respective owners.

Follow us on social media to get the
latest product and support information.

