

EPM25-2V 60 W

60 Watt isolated DC-DC converter



Product features

- 60 Watt isolated DC-DC converter
- Input voltage: 9 Vdc - 36 Vdc
18 Vdc - 75 Vdc
- 2.0" x 1.0" package
- Efficiency up to 92%
- Isolation voltage: 1.6 kVdc
- EMI class A without external circuit
- Operating ambient temperature from -40 °C to +105 °C
- No minimum load required
- EN62368-1/ IEC62368-1 certified
- Remote On/OFF

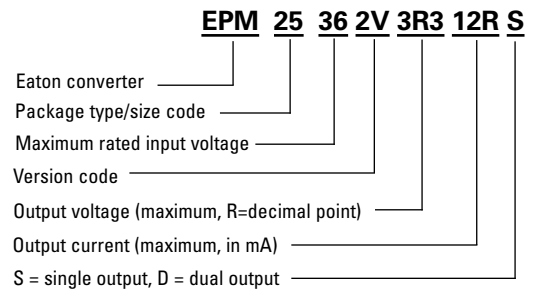
Applications

- Computing/telecom
- Distributed power architectures
- Servers and workstations
- LAN / WAN applications
- Data processing applications
- Industrial IoT equipment, sensors
- Power supply, battery backup
- Wireless TX/RX modules
- Renewable energy products

Environmental compliance



Ordering part number



EATON

Powering Business Worldwide

Alcom
electronics

Singel 3 | B-2550 Kontich | Belgium | Tel. +32 (0)3 458 30 33 | info@alcom.be | www.alcom.be
Rivium 1e straat 52 | 2909 LE Capelle aan den IJssel | The Netherlands | Tel. +31 (0)10 288 25 00 | info@alcom.nl | www.alcom.nl

Specifications

	Parameter	Conditions	Minimum	Typical	Maximum	Unit	
Input	Input filter			Pi type			
	Input voltage range	Vin = 24 Vdc	9		36	Vdc	
		Vin = 48 Vdc	18		75	Vdc	
	Input current @ no load				15	mA	
	Start-up time	100% Load at Nominal Vin			50	ms	
	Start-up voltage	Vin = 24 Vdc			9	Vdc	
		Vin = 48 Vdc			18	Vdc	
	UVLO	Vin = 24 Vdc		8		Vdc	
		Vin = 48 Vdc		16		Vdc	
	Input surge voltage (0.1 s max.)	Vin = 24 Vdc			50	Vdc	
		Vin = 48 Vdc			100	Vdc	
	Remote ON/OFF	DC-DC ON			Open or 3 - 12 Vdc		
DC-DC OFF				Short or 0 - 1.2 Vdc			
Output	Efficiency			Selection guide			
	Minimum load		0			%	
	Line regulation	Single output		-0.2		+0.2	%
		Dual output		-0.5		+0.5	%
	Load regulation (10-100% Load)	Single output		-0.5		+0.5	%
		Dual output		-1.0		+1.0	%
	Cross regulation	25% to 100% load		-5		+5	%
	Voltage accuracy			-1		+1	%
	Operating frequency	100% Load at Nominal Vin			250		kHz
	Ripple & noise ¹	Vout = 3.3, 5 Vdc				100	mVp-p
		Vout = 12, 15, ±12, ±15 Vdc				125	mVp-p
		Vout = 24 Vdc				200	mVp-p
Voltage adjustability			-10		+10	%	
Transient response recovery time	25% load step change (75%-100% load)			500		µs	
Environment	Operating temperature (with derating)		-40		+105	°C	
	Storage temperature		-55		+125	°C	
	Max. case temperature				+110	°C	
	Temperature coefficient			-0.05		+0.05	%/°C
	Relative humidity			5		95	%RH
	Vibration						MIL-STD-202G

Specifications

	Parameter	Conditions	Minimum	Typical	Maximum	Unit	
Function	Isolation voltage 1 min., Input to Output		1.6			kVdc	
	Isolation resistance		1000			MΩ	
	Isolation capacitance			1500		pF	
	MTBF (MIL-HDBK-217F)	25 °C		205		khours	
	Short circuit protection		Continuous, automatic recovery				
	Overload protection			175		%	
	Over voltage protection Zener diode clamp	Vout = 3.3 Vdc		3.7		5.3	Vdc
		Vout = 5 Vdc		5.6		8.0	Vdc
		Vout = 12 Vdc		13.4		19.2	Vdc
		Vout = 15 Vdc		16.8		24.0	Vdc
		Vout = 24 Vdc		26.9		38.4	Vdc
		Vout = ±12 Vdc		±13.4		±19.2	Vdc
		Vout = ±15 Vdc		±16.8		±24.0	Vdc
Over temperature protection				115	°C		
Certification			EN62368-1/ IEC62368-1				
Physical	Dimension		2.00 x 1.00 x 0.413 inch				
	Weight		37.6 g				
	Case material		metal case				
	Base material		FR4 PCB				
	Potting material		Silicone				
	EMC	EMI	EN 55032	Class A without external circuit, Class B with external circuit			
ESD		IEC 61000-4-2 Air ± 8 kV; Contact ± 6 kV	Criteria A				
RS ²		IEC 61000-4-3, 20 V/m	Criteria A				
EFT ²		IEC 61000-4-4, ± 2 kV	Criteria A				
Surge ²		IEC 61000-4-5, ± 2 kV	Criteria A				
CS ²		IEC 61000-4-6, 10 Vr.m.s	Criteria A				
PFMF		IEC 61000-4-8, 10 A/m	Criteria A				

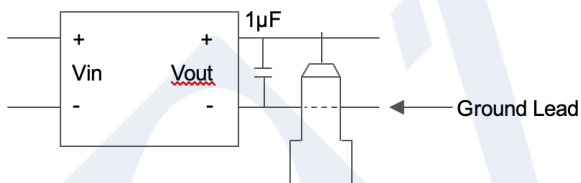
1. The ripple & noise are measured with 1 µF capacitor at 20 MHz BW.
2. Test with E-CAP 680 µF/100 V at input terminal.
3. All specifications valid at nominal input, full load and +25 °C after warm-up time unless otherwise stated.
4. The product information and specifications are subject to change without prior notice.

Selection guide

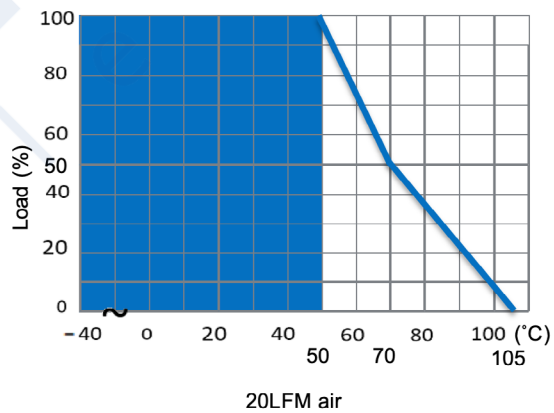
Part number	Input voltage (Vdc)	Output voltage (Vdc)	Output current @ full load (mA)	Efficiency ¹ minimum	Efficiency ¹ typical	Capacitive load ² maximum (μF)
EPM25362V-3R3-12RS	9-36 Nominal 24	3.3	12000	88%	89%	28000
EPM25362V-05R-12RS	9-36 Nominal 24	5	12000	90%	91%	28000
EPM25362V-12R-5R0S	9-36 Nominal 24	12	5000	90%	91%	5850
EPM25362V-15R-4R0S	9-36 Nominal 24	15	4000	91%	92%	3900
EPM25362V-24R-2R5S	9-36 Nominal 24	24	2500	91%	92%	2000
EPM25362V-12R-2R5D	9-36 Nominal 24	±12	±2500	90%	91%	±3900
EPM25362V-15R-2R0D	9-36 Nominal 24	±15	±2000	90%	91%	±2400
EPM25752V-3R3-12RS	18-75 Nominal 48	3.3	12000	88%	89%	28000
EPM25752V-05R-12RS	18-75 Nominal 48	5	12000	90%	91%	28000
EPM25752V-12R-5R0S	18-75 Nominal 48	12	5000	91%	92%	5850
EPM25752V-15R-4R0S	18-75 Nominal 48	15	4000	91%	92%	3900
EPM25752V-24R-2R5S	18-75 Nominal 48	24	2500	91%	92%	2000
EPM25752V-12R-2R5D	18-75 Nominal 48	±12	±2500	89%	90%	±3900
EPM25752V-15R-2R0D	18-75 Nominal 48	±15	±2000	89%	90%	±2400

1. Efficiency is nominal input voltage and full load @ +25 °C.
2. Capacitive load is tested at minimum input voltage and a constant resistive load.
3. All specifications valid at nominal input voltage, full load and +25 °C after warm-up time unless otherwise stated.

Measure method

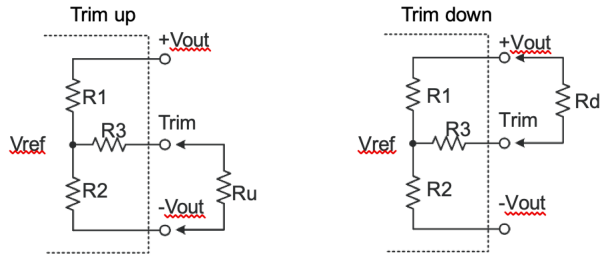


Derating curve



Application information

Single external output voltage trimming



Formula for trim resistor:

$$\text{UP: } R_u = \frac{aR_2}{R_2 - a} - R_3 \quad a = \frac{V_0 - V_{ref}}{V_0 - V_{ref}} \cdot R_1$$

$$\text{DOWN: } R_d = \frac{bR_1}{R_1 - b} - R_3 \quad b = \frac{V_0' - V_{ref}}{V_0' - V_{ref}} \cdot R_2$$

1. Ru, Rd is mean trim resistor, please check the formula.
2. a & b: user define parameter, no actual meanings.
3. V_0 is mean trim up/down voltage.
4. Value for R1, R2, R3 and V_{ref} Refer to the table below.

Input voltage	Output voltage	R1	R2	R3	Vref
24 V	3.3 V	8.5 kΩ	5.1 kΩ	27.0 kΩ	1.24 V
	5 V	10.0 kΩ	10.0 kΩ	35.7 kΩ	2.5 V
	12 V	38.0 kΩ	10.0 kΩ	68.0 kΩ	2.5 V
	15 V	50.0 kΩ	10.0 kΩ	73.2 kΩ	2.5 V
	24 V	86.0 kΩ	10.0 kΩ	75.0 kΩ	2.5 V
48 V	3.3 V	8.5 kΩ	5.1 kΩ	27.0 kΩ	1.24 V
	5 V	15.47 kΩ	5.1 kΩ	33.0 kΩ	1.24 V
	12 V	38.0 kΩ	10.0 kΩ	68.0 kΩ	2.5 V
	15 V	50.0 kΩ	10.0 kΩ	73.2 kΩ	2.5 V
	24 V	86.0 kΩ	10.0 kΩ	75.0 kΩ	2.5 V

Trim up

3R3-12RS

trim (%)	1	2	3	4	5	6	7	8	9	10
Vout (V)	3.333	3.366	3.399	3.432	3.465	3.498	3.531	3.564	3.597	3.63
Ru (kΩ)	373.25	150.64	87.15	57.1	39.57	28.09	19.98	13.96	9.3	5.6

EPM25362V-05R-12RS

trim (%)	1	2	3	4	5	6	7	8	9	10
Vout (V)	5.05	5.1	5.15	5.2	5.25	5.3	5.35	5.4	5.45	5.5
Ru (kΩ)	464.3	214.3	130.97	89.3	64.3	47.63	35.73	26.8	19.86	14.3

EPM25752V-05R-12RS

trim (%)	1	2	3	4	5	6	7	8	9	10
Vout (V)	5.05	5.1	5.15	5.2	5.25	5.3	5.35	5.4	5.45	5.5
Ru (kΩ)	361.17	161.42	96.03	63.56	44.14	31.23	22.02	15.12	9.76	5.47

12R-5R0S

trim (%)	1	2	3	4	5	6	7	8	9	10
Vout (V)	12.12	12.24	12.36	12.48	12.6	12.72	12.84	12.96	13.08	13.2
Ru (kΩ)	723.67	327.83	195.89	129.92	90.33	63.94	45.1	30.96	19.96	11.17

15R-4R0S

trim (%)	1	2	3	4	5	6	7	8	9	10
Vout (V)	15.15	15.3	15.45	15.6	15.75	15.9	16.05	16.2	16.35	16.5
Ru (kΩ)	760.13	343.47	204.58	135.13	93.47	65.69	45.85	30.97	19.39	10.13

24R-2R5S

trim (%)	1	2	3	4	5	6	7	8	9	10
Vout (V)	24.24	24.48	24.72	24.96	25.2	25.44	25.68	25.92	26.16	26.4
Ru (kΩ)	820.83	372.92	223.61	148.96	104.17	74.31	52.98	36.98	24.54	14.58

Trim down

3R3-12RS

trim (%)	1	2	3	4	5	6	7	8	9	10
Vout (V)	3.267	3.234	3.201	3.168	3.135	3.102	3.069	3.036	3.003	2.97
Ru (kΩ)	407.36	206.24	130.75	91.18	66.83	50.33	38.41	29.4	22.35	16.68

EPM25362V-05R-12RS

trim (%)	1	2	3	4	5	6	7	8	9	10
Vout (V)	4.95	4.9	4.85	4.8	4.75	4.7	4.65	4.6	4.55	4.5
Ru (kΩ)	454.3	204.3	120.97	79.3	54.3	37.63	25.73	16.8	9.86	4.3

EPM25752V-05R-12RS

trim (%)	1	2	3	4	5	6	7	8	9	10
Vout (V)	4.95	4.9	4.85	4.8	4.75	4.7	4.65	4.6	4.55	4.5
Ru (kΩ)	1085.06	525.75	336.03	240.54	183.05	144.63	117.15	96.52	80.45	67.6

12R-5R0S

trim (%)	1	2	3	4	5	6	7	8	9	10
Vout (V)	11.88	11.76	11.64	11.52	11.4	11.28	11.16	11.04	10.92	10.8
Ru (kΩ)	2902.33	1398.17	896.78	646.08	495.67	395.39	323.76	270.04	228.26	194.83

15R-4R0S

trim (%)	1	2	3	4	5	6	7	8	9	10
Vout (V)	14.85	14.7	14.55	14.4	14.25	14.1	13.95	13.8	13.65	13.5
Ru (kΩ)	4043.47	1960.13	1265.69	918.47	710.13	571.24	472.04	397.63	339.76	293.47

24R-2R5S

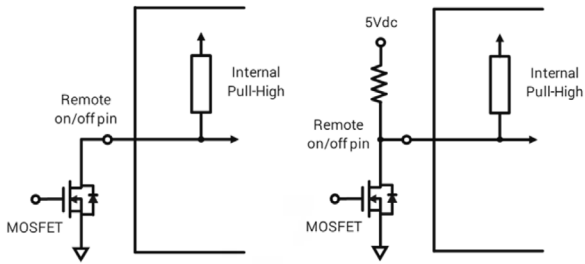
trim (%)	1	2	3	4	5	6	7	8	9	10
Vout (V)	23.76	23.52	23.28	23.04	22.8	22.56	22.32	22.08	21.84	21.6
Ru (kΩ)	7543.17	3691.08	2407.06	1765.04	1379.83	1123.03	939.6	802.02	695.02	609.42

CTRL pin setting

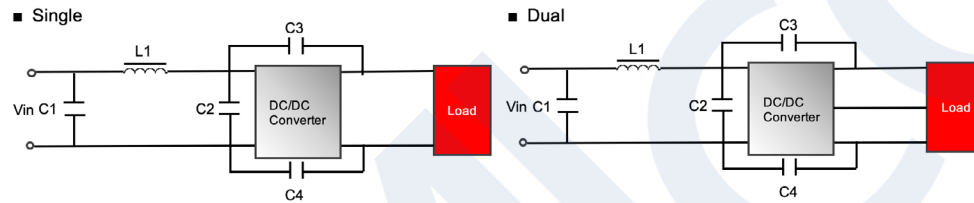
Remote ON/OFF	DC-DC ON	Open or 3 - 12 Vdc
	DC-DC OFF	Short or 0 - 1.2 Vdc

If not using CTRL function, leave CTRL pin floating.

If using CTRL pin to control module to turn on and off; use either external circuit as shown below.

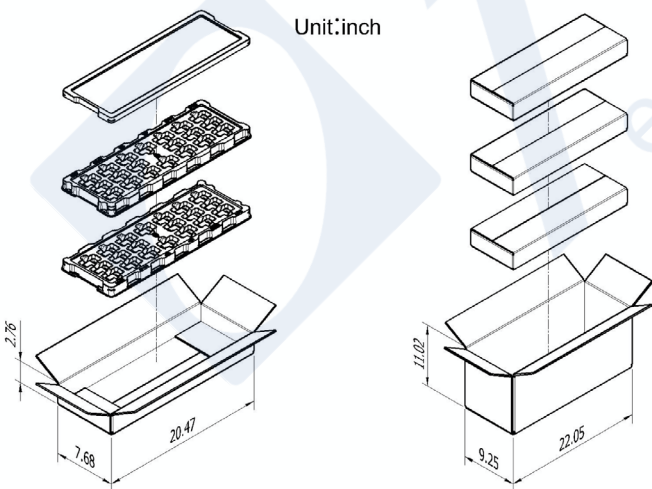


EMC filtering circuit



Class B	C1	L1	C2	C3	C4
24 Vin	10 μ F	1.5 μ H	10 μ F	2200 pF	2200 pF
48 Vin	4.7 μ F	3.3 μ H	4.7 μ F	2200 pF	2200 pF

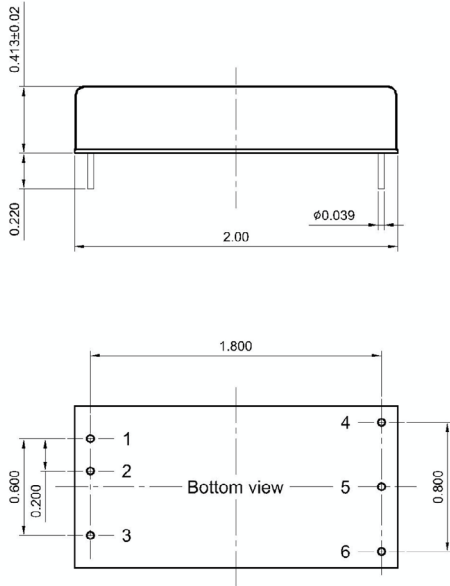
Packaging- Inches



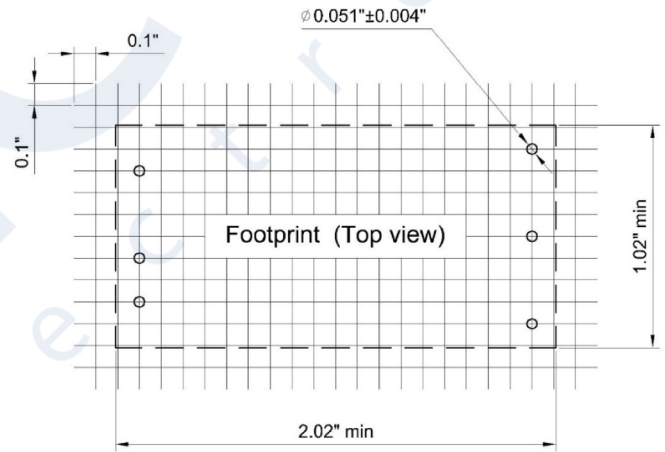
Box accommodates
2 tray 40 converters per box

Carton accommodates
3 boxes 120 converters per carton

Dimensions - inches



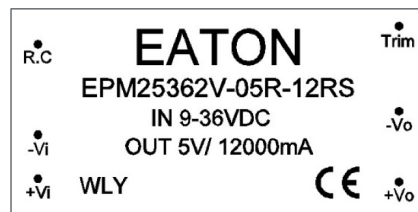
Recommended PCB layout



Pin	Single	Dual
1	+Vin	+Vin
2	-Vin	-Vin
3	CTRL	CTRL
4	+Vout	+Vout
5	-Vout	Common
6	Trim	-Vout

Unit: inch
PIN tolerance: ± 0.004
Tolerance: X.XX ± 0.02 X.XXX ± 0.015

Marking



WLY = lot code

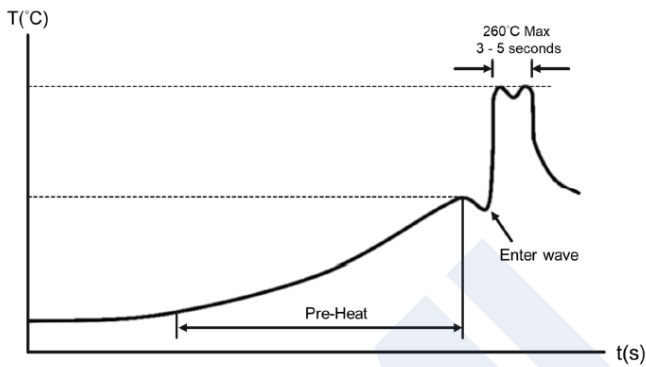
General information

Storage and handling

The shelf life will be a minimum of 36 months, when stored at the following conditions: < +40 °C, < 90% RH.

Wave solder profile

The wave solder profile is measured based on lead temperature. The recommended PCB pre-heat temperature is +80 °C to +100 °C, and the preheat rate of 1.5 to 2.5 °C/sec. The underside PCB temperature at the last pre-heat zone should be approximately +150 °C. The internal temperature of the solder parts should not exceed +210 °C. The duration of solder dwell time should be between 3 to 5 seconds, and not to exceed 10 seconds at a temperature of +260 °C maximum.



Life Support Policy: Eaton does not authorize the use of any of its products for use in life support devices or systems without the express written approval of an officer of the Company. Life support systems are devices which support or sustain life, and whose failure to perform, when properly used in accordance with instructions for use provided in the labeling, can be reasonably expected to result in significant injury to the user.

Eaton reserves the right, without notice, to change design or construction of any products and to discontinue or limit distribution of any products. Eaton also reserves the right to change or update, without notice, any technical information contained in this bulletin.

Eaton
Electronics Division
1000 Eaton Boulevard
Cleveland, OH 44122
United States
www.eaton.com/electronics

© 2022 Eaton
All Rights Reserved
Printed in USA
Publication No. ELX1168 BU-ELX22027
March 2022

Eaton is a registered trademark.

All other trademarks are property
of their respective owners.

Follow us on social media to get the
latest product and support information.

