

High-Performance aReady.COM Standard Module

conga-aCOM/cRLP

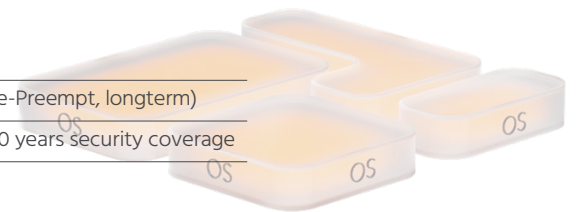


aReady.COM

- Based on conga-HPC/cRLP-i5-1340PE
- High-Performance configuration with 2 pre-configured virtual machines
- Real-Time Linux OS on 2 Cores
- Ubuntu Pro running on 10 Cores
- Incl. active cooling solution with heatpipes

Operating Systems

Real-Time Linux	RTS Real-Time Linux reference installation with Kernel 6.1 (Realtime-Preempt, longterm)
Ubuntu Desktop	Ubuntu 22.04 LTS, Canonical "Ubuntu Pro" subscription including 10 years security coverage



Virtualization

Hypervisor	RTS Real-Time Hypervisor, pre-configured
Partitioning	2x virtual machines (VM), 1x Real-Time, 1x General Purpose
Real-Time VM	Running on 2 P-Cores with fixed frequency Physical device access: NVMe SSD partition, 1x UART, 1x ethernet. Access to PCIe devices configurable
General-Purpose VM	Running on 2 P-Cores and 8 E-Cores Physical device access: NVMe SSD partition, 1x UART, 1x ethernet, graphics, xHCI, and other PCIe devices



Hardware

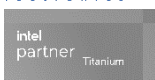
Form factor	COM-HPC Client 120 mm x 95 mm
Processor	Intel® Core™ i5-1340PE Processor with 4 P-Cores
Graphics	Intel® Iris® Xe Graphics architecture Supports up to 4 independent displays
Memory	16 GB DDR5 4800 MT/s DRAM
Mass Storage	128 GB NVMe SSD connected via PCIe (soldered)
Temperature Humidity	0 °C to 60 °C 10% to 90% r. H. non cond.
Interfaces	8 x PCIe Gen5; 2 x4 PCIe Gen4; up to 8 PCIe Gen3 2x USB4; 2 x USB 3.2 Gen2x1; 8 x USB 2.0 up to 2x SATA 2 x UART 2 x MIPI-CSI

* For all interfaces please see Datasheet conga-HPC/cRLP

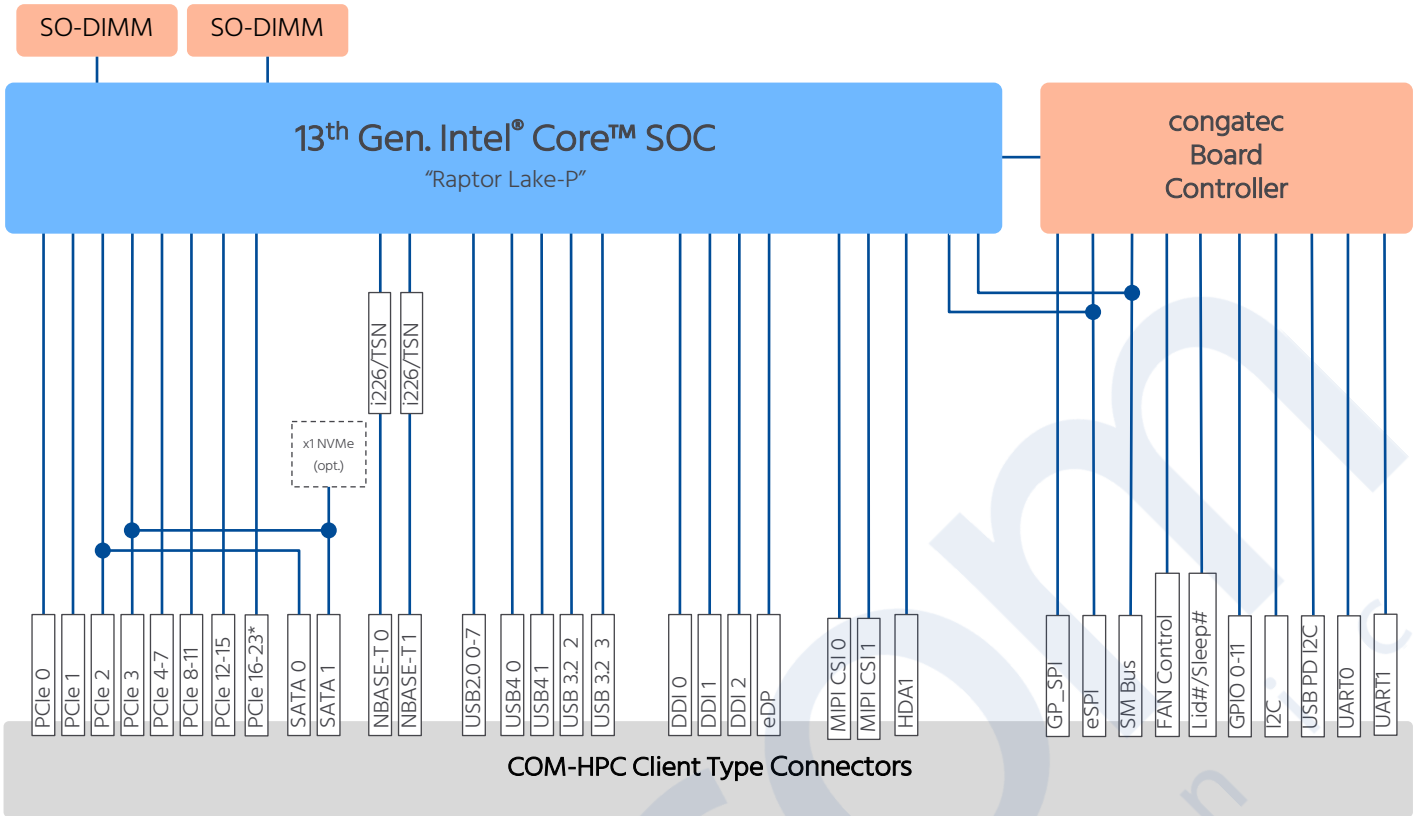


Singel 3 | B-2550 Kontich | Belgium | Tel. +32 (0)3 458 30 33 | info@alcom.be | www.alcom.be

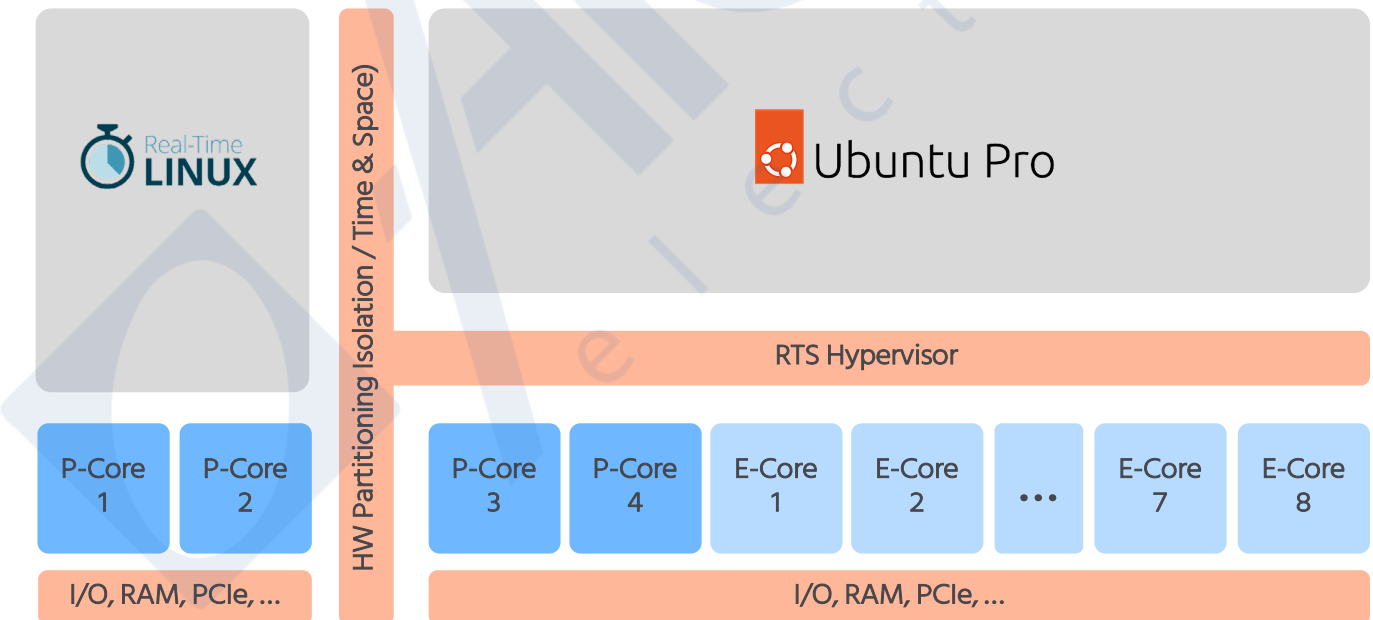
Rivium 1e straat 52 | 2909 LE Capelle aan den IJssel | The Netherlands | Tel. +31 (0)10 288 25 00 | info@alcom.nl | www.alcom.nl



conga-aCOM/cRLP | Block Diagram



conga-aCOM/cRLP | System Consolidation



conga-aCOM/cRLP | Modules Order Information

Article	PN	Description
conga-aCOM/cRLP	320000	aReady.COM including COM-HPC Size A module based on Intel® Core™ i5-1340PE processor with 4 P-cores 1.8GHz up to 4.5GHz Turbo and 8 E-cores 1.3GHz up to 3.3GHz Turbo 16GB Dual channel DDR5 4800 MT/s 128 GB NVMe SSD Active cooling solution (bore hole) Pre-installed Software: RTS Hypervisor (including evaluation license) Real-Time Linux Ubuntu Pro Desktop
conga-HPC/EVAL-Client	065600	Evaluation Carrier Board for COM-HPC Client type Modules.

© 2024 congatec GmbH.
All rights reserved.

All data is for information purposes only. Although all the information contained within this document is carefully checked, no guarantee of correctness is implied or expressed. Product names, logos, brands, and other trademarks featured or referred are the property of their respective trademark holders. These trademark holders are not affiliated with congatec GmbH. Product not yet released for mass production.
Revision 1.0 – March 2024

