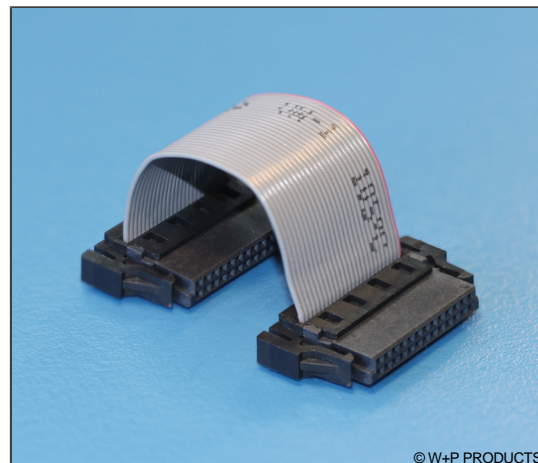


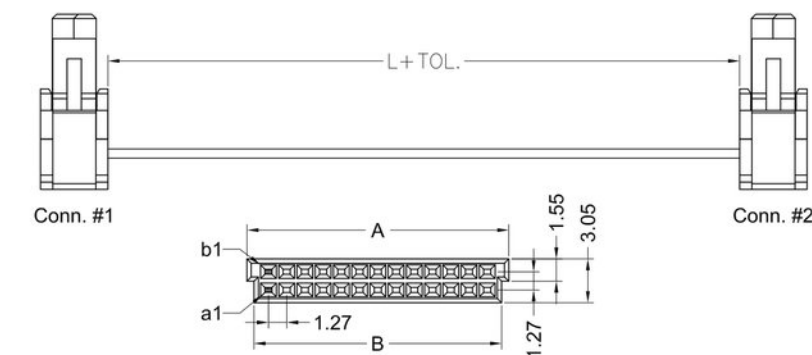
Technische Daten / Technical Data

Isolierkörper	Thermoplast, nach UL94 V-0
Insulator	Thermoplastic, rated UL94 V-0
Kontaktmaterial	Kupferlegierung
Contact Material	Copper alloy
Aderquerschnitt	AWG 30
Applicable wire Gauge	AWG 30
Durchgangswiderstand	< 30 mΩ
Contact Resistance	< 30 mΩ
Spannungsfestigkeit	150 V
Test Voltage	150 V
Nennstrom	0,5 A
Current Rating	0.5 A
Temperaturbereich	-20 °C ... +105 °C
Temperature Range	-20 °C ... +105 °C



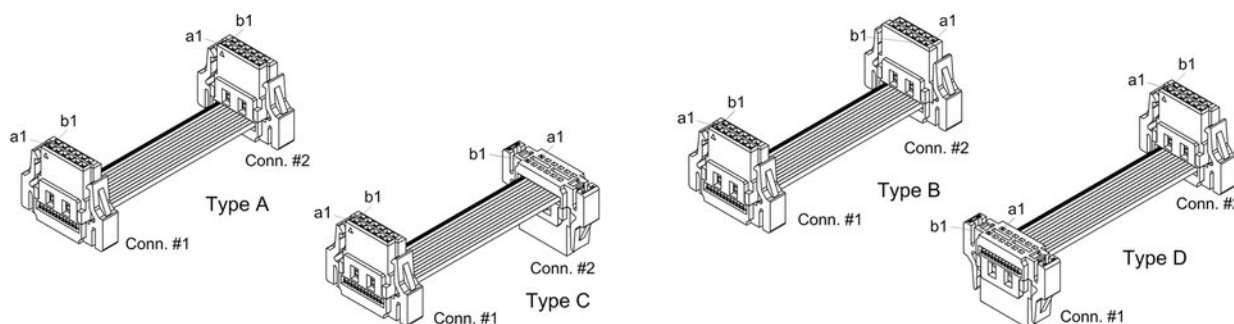
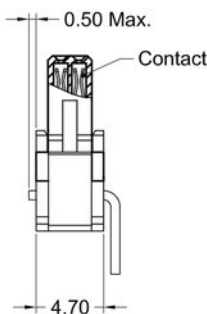
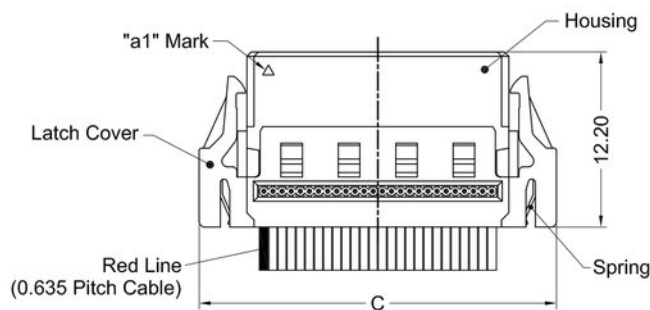
© W+P PRODUCTS

Steckbar mit / mates with:
9014 9015 9019 9020



L (Length)	TOL. (Tolerance)
≤ 1000mm	0/+5mm
≤ 3000mm	0/+10mm
> 3000mm	0/+20mm

PIN NO.	DIM A	DIM B	DIM C
12	9.35	8.35	16.00
16	11.89	10.89	18.54
20	14.43	13.43	21.08
26	18.24	17.24	24.89
30	20.78	19.78	27.43
32	22.05	21.05	28.70
40	27.13	26.13	33.78
50	33.48	32.48	40.13
68	44.91	43.91	51.56
80	52.53	51.53	59.18



Series	Contacts*	Type*	Plating	Length*
998-916	26	02	80	120
	12 16 20 26 30 32 40 50 68 80	01 Type A 02 Type B 03 Type C 04 Type D	80 Sel. Au 30µ" / Sn	XXX L in mm (025mm min)