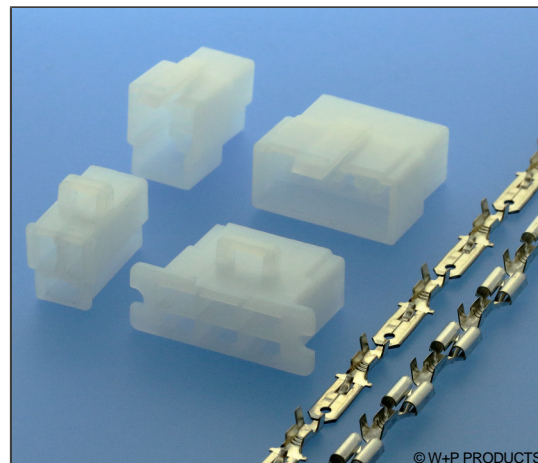


## Wire-to-Wire Crimp Rast System RM 9mm - bis 15 A

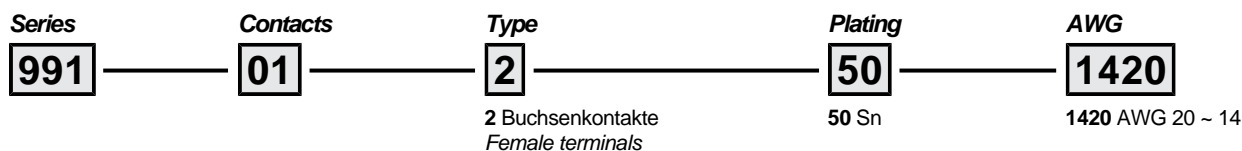
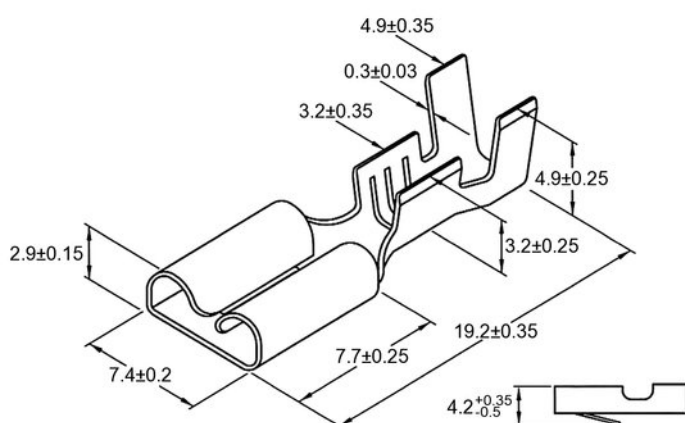
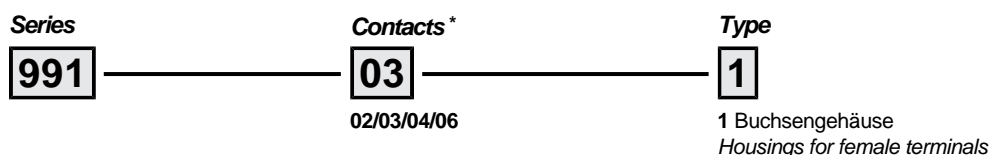
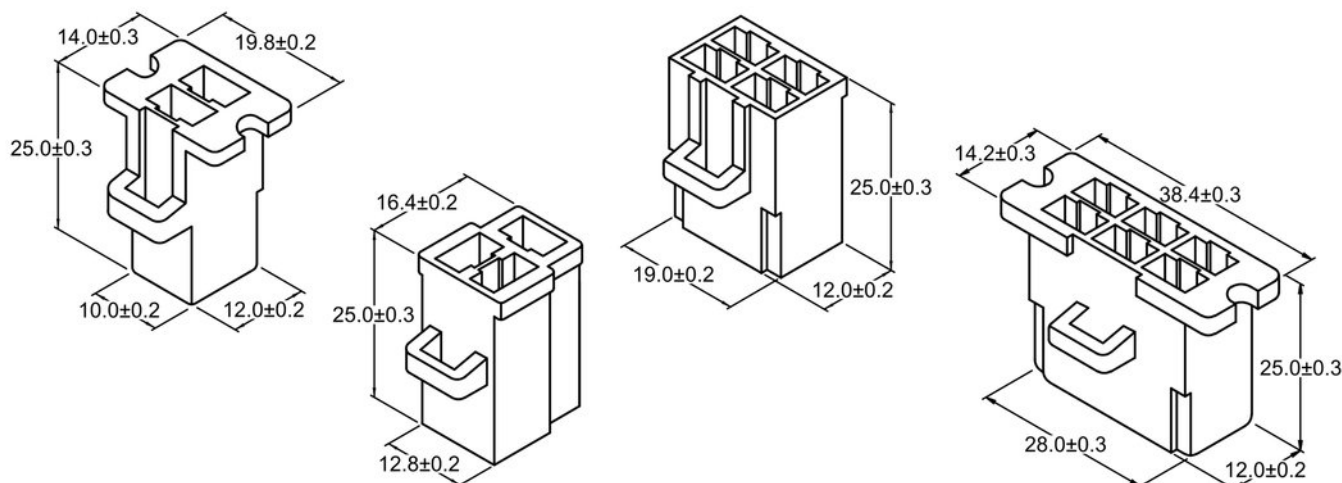
### Wire-to-Wire Friction Lock Connectors 9mm Pitch - up to 15 A

#### Technische Daten / Technical Data

Isolierkörper	Thermoplast, nach UL94 V-2
Insulator	Thermoplastic, rated UL94 V-2
Farbe	Weiß / natur
Colour	White / natural
Kontaktmaterial	Kupferlegierung
Contact Material	Copper alloy
Kontaktfläche	Verzinkt
Contact Surface	Tin plated
Aderquerschnitt	AWG 20 ~ 14
Applicable wire Gauge	AWG 20 ~ 14
Isolationswiderstand	> 1000 MΩ
Insulation Resistance	> 1000 MΩ
Spannungsfestigkeit	1500 V AC
Test Voltage	1500 V AC
Nennspannung	250 V AC / 350 V DC
Voltage Rating	250 V AC / 350 V DC
Nennstrom	15 A
Current Rating	15 A
Temperaturbereich	-25 °C ... +85 °C
Temperature Range	-25 °C ... +85 °C

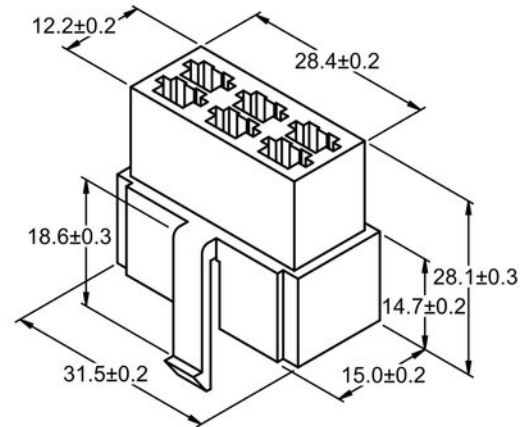
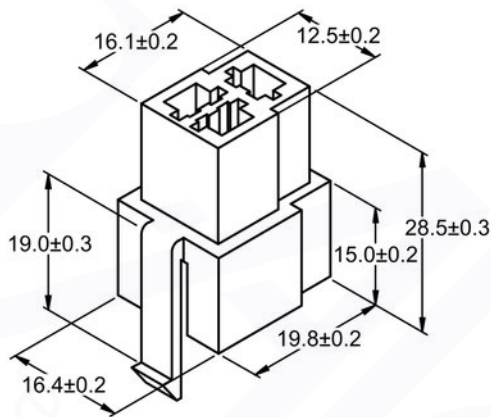
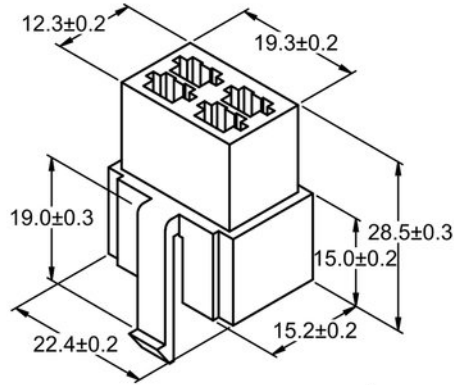
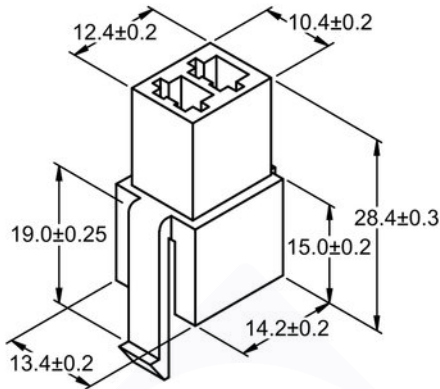


© W+P PRODUCTS



# 991

Wire-to-Wire Crimp Rast System RM 9mm - bis 15 A  
 Wire-to-Wire Friction Lock Connectors 9mm Pitch - up to 15 A



Series

**991**

Contacts

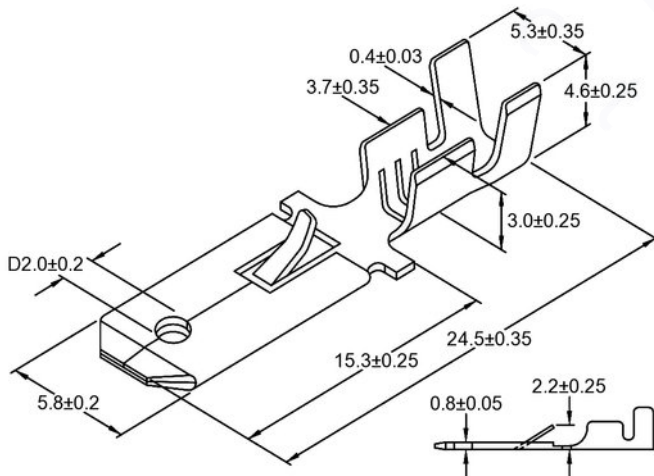
**04**

02/03/04/06

Type

**5**

5 Stiftgehäuse  
 Housings for male terminals



Series

**991**

Contacts

**01**

Type

**6**

6 Stiftkontakte  
 Male terminals

Plating

**50**

50 Sn

AWG

**1420**

1420 AWG 20 ~ 14