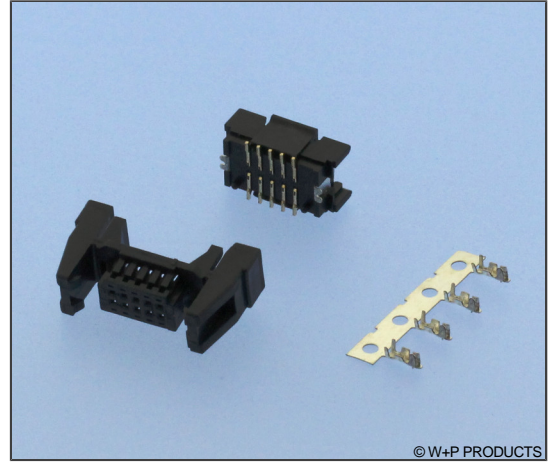


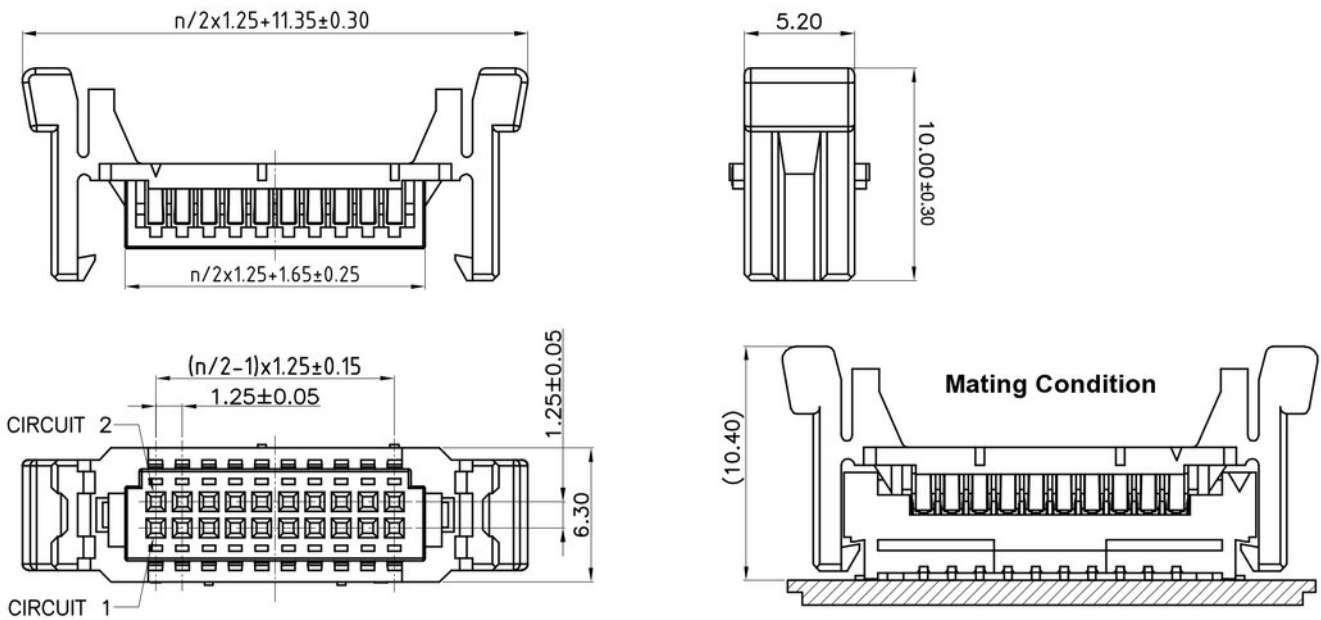
SMT-Crimp-Rast-Stift-/Buchsenleisten RM 1,25mm, stehend, 2-reihig SMT Friction Lock Headers / Crimp Housings, 1.25mm Pitch, Vertical, Double Row

Technische Daten / Technical Data

| | |
|-----------------------|---------------------------------------|
| Isolierkörper | Thermoplast, UL94 V-0, halogenfrei |
| Insulator | Thermoplastic, UL94 V-0, halogen free |
| Aderquerschnitt | AWG 32 ~ 26 |
| Applicable wire Gauge | AWG 32 ~ 26 |
| Durchgangswiderstand | < 20 mΩ |
| Contact Resistance | < 20 mΩ |
| Isolationswiderstand | > 500 MΩ |
| Insulation Resistance | > 500 MΩ |
| Spannungsfestigkeit | 500 V AC |
| Test Voltage | 500 V AC |
| Nennspannung | 100 V AC/DC |
| Voltage Rating | 100 V AC/DC |
| Nennstrom | 1 A |
| Current Rating | 1 A |
| Temperaturbereich | -25 °C ... +85 °C |
| Temperature Range | -25 °C ... +85 °C |



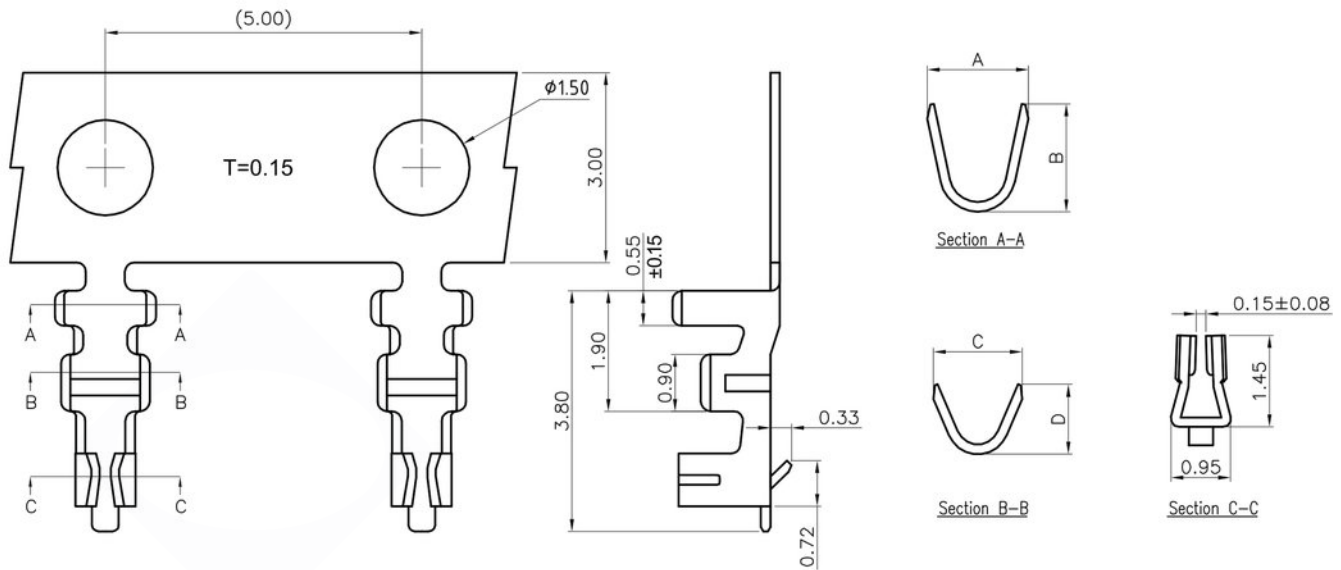
© W+P PRODUCTS



| | | |
|---------------|------------------|---|
| Series | Contacts* | Type |
| 1251 | 20 | 1 |
| | 10/20/30/40 | 1 Buchsengehäuse Housing for female crimp contacts |

1251

SMT-Crimp-Rast-Stift-/Buchsenleisten RM 1,25mm, stehend, 2-reihig
 SMT Friction Lock Headers / Crimp Housings, 1.25mm Pitch, Vertical, Double Row



| Wire Range | Insulation O.D. | DIM.(mm) | | | |
|------------|-----------------|----------|-----|-----|-----|
| | | A | B | C | D |
| AWG#26~#28 | ∅0.70~0.90mm | 1.6 | 1.7 | 1.4 | 1.1 |
| AWG#30~#32 | ∅0.40~0.70mm | 1.4 | 1.3 | 1.1 | 1.0 |

