

Ag6810

Single Port, High Power, SMT IEEE802.3bt PSE Module



- **IEEE802.3af, at & bt compliant**
- **Smallest SMT Footprint -**
28mm(L) x 18mm(W) x 5mm(H)
- **Over Current & Short Circuit Protection**
- **Signature & Class recognition**
- **IEEE802.3bt reduced MPS for lower power standby**
- **Very Low Power Dissipation**
- **Industrial Temperature**
- **Simple integration**

The Ag6810 module is designed to inject power onto a conventional twisted pair Category 5 Ethernet cable within a 2-Pair or 4-Pair powered system. Providing exceptional efficiency (>98%) whilst being compatible with IEEE 802.3af, 802.3at and 802.3bt Power-over-Ethernet (PoE) devices.

Available in a surface mount package measuring only 28mm (L) x 18mm (W), the Ag6810 PSE module can be packaged in either Tape & Reel or tray formats, lending itself to volume manufacturing practises. When added to your equipment this module will provide PoE power, to supply connected PoE devices. If you wish to add PoE++ power delivery as an option to your products this is the ideal solution.

The Ag6810 is a single port IEEE 802.3af, 802.3at & 802.3bt-compatible output device. The module will manage the signature and class detection process for IEEE-compliant connected devices and supply the negotiated

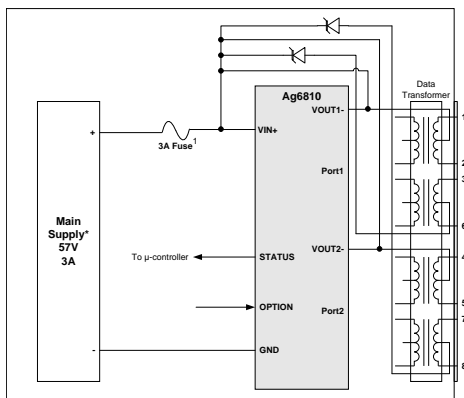
power. The Ag6810 can be used equally well in Mid-span or End-Span applications.

The Ag6810 offers a complete, simple-to-use solution to add PoE power sourcing function to your product. Although capable of delivering the highest PoE power allowed by the IEEE standard, the module is backward compatible and is capable of sourcing .af and .at power levels in a similar way. Thereby offering Designers complete flexibility in a compact, surface mount package together with full PSE functionality.

Additionally, due to the way the Ag6810 has been designed, it is capable of sourcing power to two separate Powered Devices, complying with the IEEE802.3.bt standard.

Rated to operate over the full Industrial Temperature Range, the Ag6810 can be used in some of the most demanding of application environments.

The Ag6810 can be used to supply various types of connected Ethernet equipment, such as Routers, Network Switches and Injectors, various A/V applications as well as Industrial Computing and Automation applications.



Typical Implementation