

Touchless Switch



See below:
[Approvals and Compliances](#)

Description

- Touchless momentary push button (NO¹) or as latching switch (LA)
- Protection against unintended switching
- Precise operating
- Potential free output contacts
- Laser lettering possible
- Vandal resistant
- 4 wires, 26AWG, 0.128 mm²

Unique Selling Proposition

- Variable supply voltage
- Wiping and cleaning the surface does not trigger a switching operation
- Galvanic separated outputs

Characteristics

- Housing made from stainless steel
- With ring illumination
- Wearless, no moving parts
- Attractive design
- Insensitive to water and rain

Other versions on request

- MOQ: 1000 pcs.

Weblinks

[pdf data sheet](#), [html datasheet](#), [General Product Information](#), [CAD-Drawings](#), [Product News](#), [Detailed request for product](#)

Technical Data

Electrical Data

Switching Function	momentary (NO ¹) or latching (LA)
Switching Voltage	max. 42 VAC / 60 VDC
Switching Current	max. 100 mA
Electrical Rating	1 W
Switch Resistance OFF	> 10 MΩ
Switch Resistance ON	< 16 Ω
Supply Voltage LED	VDC
Current Consumption LED red / green	8.0 mA (typ) / 15.0 mA (max) Peak: 34 mA (switch is open) 10.0 mA (typ) / 17.0 mA (max) Peak: 34 mA (switch is closed)
Reverse Polarity Protection	yes
Output Type	OptoMOS Relay
Lifetime	>20 million actuations
connection type ²	4 wires, 26AWG, 0.128 mm ²

Mechanical Data

Actuation Type	optical
Actuating Force	none
Shock Protection	IK09
Mounting Depth	16.5 mm
Tightening Torque Plastic Nut	2.5 Nm

Climatical Data

Operating Temperature	-30 to 85 °C
Storage Temperature	-40 to 85 °C
IP Protection Class Front Side	IP67 acc. to IEC 60529

Material

Housing	Stainless Steel
Illuminated Ring (Ring Illumination)	PMMA
Sensor Window	PC
Seal Ring	NBR70

Approvals and Compliances

Detailed information on product approvals, code requirements, usage instructions and detailed test conditions can be looked up in [Details about Approvals](#)

SCHURTER products are designed for use in industrial environments. They have approvals from independent testing bodies according to national and international standards. Products with specific characteristics and requirements such as required in the automotive sector according to IATF 16949, medical technology according to ISO 13485 or in the aerospace industry can be offered exclusively with customer-specific, individual agreements by SCHURTER.



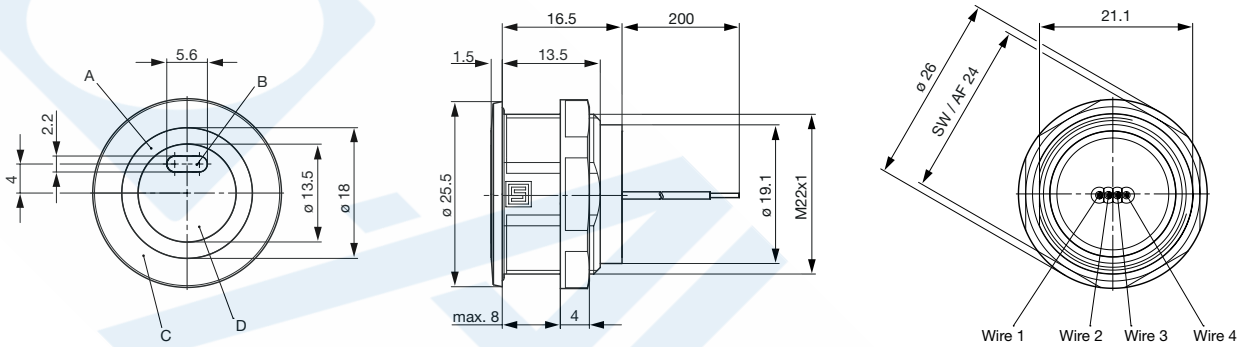
Singel 3 | B-2550 Kontich | Belgium | Tel. +32 (0)3 458 30 33
info@alcom.be | www.alcom.be
 Rivium 1e straat 52 | 2909 LE Capelle aan den IJssel | The Netherlands
 Tel. +31 (0)10 288 25 00 | info@alcom.nl | www.alcom.nl

Compliances

The product complies with following Guide Lines

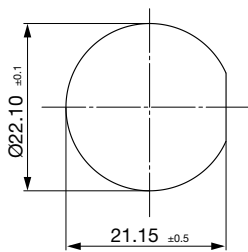
Identification	Details	Initiator	Description
CE	CE declaration of conformity	SCHURTER AG	The CE marking declares that the product complies with the applicable requirements laid down in the harmonisation of Community legislation on its affixing in accordance with EU Regulation 765/2008.
RoHS	RoHS	SCHURTER AG	Directive RoHS 2011/65/EU, Amendment (EU) 2015/863
REACH	REACH	SCHURTER AG	On 1 June 2007, Regulation (EC) No 1907/2006 on the Registration, Evaluation, Authorization and Restriction of Chemicals 1 (abbreviated as "REACH") entered into force.

Dimension [mm]



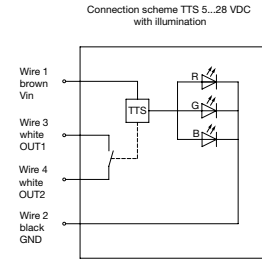
- A ring illumination
- B sensor window
- C housing
- D actuator

Mounting hole



Connection diagram

Connection wire assignment		
Wire-number	Wire color	function
Wire 1	brown	Vin = 5 VDC...28 VDC
Wire 2	black	GND
Wire 3	white	OUT1
Wire 4	white	OUT2



Lettering Colour of Laser Lettering

Material	Lettering Colour	
Stainless Steel	black	Filled letters

Order Index Lettering

Laser Marking

001 =A	021 =U	041 =÷	061 =EIN
002 =B	022 =V	042 =*	062 =AUS
003 =C	023 =W	043 ==	063 =AUF
004 =D	024 =X	044 =#	064 =AB
005 =E	025 =Y	045 =↔	065 =ON
006 =F	026 =Z	046 =‡	066 =OFF
007 =G	027 =0	047 =→	067 =UP
008 =H	028 =1	048 =←	068 =DOWN
009 =I	029 =2	049 =↓	069 =HIGH
010 =J	030 =3	050 =↑	070 =LOW
011 =K	031 =4	051 =%	071 =ON/OFF
012 =L	032 =5	052 =√	072 =START
013 =M	033 =6	053 =CTRL	073 =RESET
014 =N	034 =7	054 =RETURN	074 =⏻
015 =O	035 =8	055 =SHIFT	075 =☀
016 =P	036 =9	056 =LOCK	076 =🔔
017 =Q	037 =+	057 =STOP	077 =Ⓜ
018 =R	038 =-	058 =ENTER	
019 =S	039 =.	059 =BACK	
020 =T	040 =x	060 =LINE	

Please note that the font size depends on the number of characters

T	T	S	-	22	-	NO	A10	-	06	-	S0	NC	B	S0	NC	-	RI	0RG	VAR	-	W	0	000	-	A	C
				1		2	3		4		5	6	7	8	9		10	11	12		13	14	15		16	17

Diameter 🔍 1

22 mm = 22

Switch Function 🔍 2

Normally open = NO

Latching = LA

Rated current 🔍 3

100mA = A10

Detection distance 🔍 4

6 cm = 06

Housing material 🔍 5

Stainless steel = S0

Housing color 🔍 6

Natural = NC

Mounting 🔍 7

Thread (M) W/ anti-rotation protection = B

Actuator material 🔍 8

Stainless steel = S0

Actuator color 🔍 9

Natural = NC

Illumination type 🔍 10

Ring illumination = RI

Illumination color 🔍 11

Red-green = 0RG

Supply voltage illumination 🔍 12

5-28V = VAR

Terminal-main function 🔍 13

Flexible Wire = W

Lettering type 🔍 14

No lettering = 0

Marking type 🔍 15

None = 000

Housing shape 🔍 16

Round = A

Accessories 🔍 17

Hex nut plastic w / O-Ring = C

All Variants

Diameter [mm]	Illumination	Illumination Color inactive / active	Function	Accessories	Order Number
22	Ring Illumination	bi-colored green / red	latching (LA)	Hex nut plastic	3-131-913
22	Ring Illumination	bi-colored green / red	momentary (NO ¹)	Hex nut plastic	3-131-894

Latching and momentary NO switch are open after power-up (protection against unintended switching)

Availability for all products can be searched real-time: <https://www.schurter.com/en/Stock-Check/Stock-Check-SCHURTER>

Minimum order quantity for standard variants with or without laser marking is 10 pieces.

Packaging unit

10 Pcs



Singel 3 | B-2550 Kontich | Belgium | Tel. +32 (0)3 458 30 33
 info@alcom.be | www.alcom.be
 Rivium 1e straat 52 | 2909 LE Capelle aan den IJssel | The Netherlands
 Tel. +31 (0)10 288 25 00 | info@alcom.nl | www.alcom.nl