



SNAPPY

KNOW HOW. NO LIMITS.



SNAPPY

KNOW HOW. NO LIMITS.

### 宁波赛耐比光电科技有限公司

NINGBO SNAPPY OPTOELECTRONICS CO., LTD

地址: 宁波国家科技高新区科达路56号 邮编: 315000

ADD:NO.56, Keda Road,National Hi-tech park of

Ningbo,China P.C.:315000

电话(TEL):86-574-26266222 传真:(FAX):86-574-27902805

E-mail:sales@snappy.cn

www.snappy.cn



OUTDOOR APPLICATION

INDOOR APPLICATION

### 2021-I NEW PRODUCTS

### LED Power Supply

The driving force behind LED lighting solutions

Welcome  
to  
SNAPPY

## Our new product lines

---

 **HELENA** Super Slim

---

 **POSEIDON** Waterproof


---

 **HERKULES** Strong

---

 **PROMETHEUS** Regular Human, Vision

---

 **HELIOS** Dimmable

---

 **MARATHON** Long Life

---



## Important

	Federal Communications Commission
	UL mark for Canada and US
	CE mark of conformity
	The transformer complies with European Regulation, in general situation, could mount on or in furniture and cabinet
	Flammable marks
	International mark for independent converter
	International mark for protection II
<b>SELV</b>	International mark for transformers of converters (safety extra-low voltage)
	The surface temperature of Transformer/ballast will be not more than 110°C on the condition of overload or short circuit
	C-Tick Compliant
	US and Canada UL approved

## Test standard for electronic control

EN6 1347-1	General safety requirements
EN6 1347-2-2	Safety requirements for step down converters for filament lamps
EN6 1347-2-3	Safety requirements for electronic ballast
EN6 1347-2-13	Particular requirements for d.c.or a.c.supplied electronic control gear for LED modules
EN60929	Performance requirements for electronic ballast
EN55015	Limits and methods of measurements of radio interference characteristics of lights
EN61547	EMC immunity requirements for lighting purposes equipment
EN61000-3-2	Limits for harmonic current emissions
EN61000-3-3	Limitations of voltage fluctuations and flicker
FCC PART 15	Wireless Access interference measurement standards
UL 8750	LED Equipment for use in lighting products (Class 2)
UL 1310	Class 2 power units
EN 62493-2010	Assessment of lighting equipment related to human Exposure to electromagnetic fields
DoE VI CoC V	Efficiency Standards for External Power Supplies



## Outdoor SPG Series

### Outdoor SPG-A & B Series 50W-320W



SPG50-A **NEW!**  
page 02



SPG50-B **NEW!**  
page 02



SPG80-A **NEW!**  
page 03



SPG80-B **NEW!**  
page 03



SPG100-A  
page 04



SPG100-B  
page 04



SPG150-A  
page 05



SPG150-B  
page 05



SPG200-A  
page 06



SPG200-B  
page 06



SPG240-A  
page 07



SPG240-B  
page 07



SPG320-A  
page 08



SPG320-B  
page 08

### Outdoor SPG-V Series 50W-320W



SPG50-V **NEW!**  
page 13



SPG80-V **NEW!**  
page 13



SPG100-V **NEW!**  
page 14



SPG150-V **NEW!**  
page 14



SPG200-V **NEW!**  
page 15



SPG240-V **NEW!**  
page 15



SPG320-V **NEW!**  
page 16

### Outdoor SPG-UV Series 50W-320W



SPG50-UV **NEW!**  
page 09



SPG80-UV **NEW!**  
page 09



SPG100-UV **NEW!**  
page 10



SPG150-UV **NEW!**  
page 10



SPG200-UV **NEW!**  
page 11



SPG240-UV **NEW!**  
page 11



SPG320-UV **NEW!**  
page 12

## IP20 LED Power Supply

### IP20 Regular Linetype Series 45W-240W

Linear Series 60W-240W



SSL60-VF  
page 18



SL100-VF  
page 19



SL200-VF  
page 20



SL240-VF  
page 21

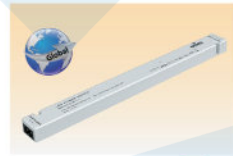
### Wide Input Linear Series 45W-150W



SL100-VF(UE)  
page 22



SL150-VF(UE)  
page 23



SL30-VFC(UE) **NEW!**  
SL60-VFC(UE)  
SL100-VFC(UE)  
page 24

### Smart Voice Control Series 75W-100W



SP75-ZIGBEE/  
SP75-BLUETOOTH  
page 28



SP100-ZIGBEE-VF  
page 28

### DALI2.0 Constant Voltage Dimmable Series 60W-240W



SDL60-VFB/SDL100-VFB/  
SDL150-VFB/SDL200-VFB/  
SDL240-VFB  
page 29



SDL60-VFP/SDL100-VFP/  
SDL150-VFP/SDL200-VFP/  
SDL240-VFP  
page 29



SDL60-VF/SDL100-VF/  
SDL150-VF/SDL200-VF/  
SDL240-VF  
page 29

## Sensor Series

IR Sensor



SOA-IR-CW+S107 **NEW!**  
page 32



SOA-IR  
page 33



SOK-IR+S106 **NEW!**  
page 34



SIK-IR  
page 35



SIM-IR  
page 36

PIR Sensor



SOL-PIR  
page 37



SIL-PIR  
page 38

Touch Sensor



SOM-T/SOM-TB  
page 39



SOM-T/SOM-TB  
page 40

2.4G Remote Control



SRC-2.4G01 **NEW!**  
page 41



SNP75-2.4G **NEW!**  
page 42

## IP20 Regular & Super Slim Series 8W-150W

### IP20 Super Slim Series 15W-60W



SNP20-VF-1  
page 44



SE15-VF **NEW!**  
page 45



SE20-VF **NEW!**  
page 46



SS20-VF  
page 47



SS30-VF  
page 48



SS40-VF **NEW!**  
page 48



SS50-VF **NEW!**  
page 49



SS60-VF  
page 50

### IP20 Regular Series 8W-150W



SE8-VL **NEW!**  
page 51



SS20-VL **NEW!**  
page 52



SS30-VL **NEW!**  
page 53



SS40-VL **NEW!**  
page 54



SS50-VL **NEW!**  
page 54



SS60-VL **NEW!**  
page 55



SS75-VL **NEW!**  
page 55



SS100-VL **NEW!**  
page 56



SS150-VL **NEW!**  
page 57

### Triac Dimmable Series [Constant Voltage] 100W-150W



SP100-VLT/SP150-VLT  
page 58

### Built In Connector Series 30W-100W



SNP30-VFC/SNP60-VFC/  
SNP100-VFC  
SNS30-VFC/SNS60-VFC/  
SNS100-VFC  
page 59



SL45-VFC-1(UE) **NEW!**  
SL60-VFC-1(UE)  
SL100-VFC-1(UE)  
page 60

## UL & UE LED Power Supply Series 15W-75W

### UL LED Power Supply Series 15W-75W



SNP20-VL(UL)  
page 62



SE15-VF(UL)  
page 63



SE30-VF(UL)  
page 64



SE50-VF(UL)  
page 65



SE75-VF(UL)  
page 66

### UE LED Power Supply Series 40W-60W



SNP40-VF(UE)  
page 67



SNP60-VF(UE)  
page 68

# Outdoor SPG Series

- Outdoor SPG-A & B Series
- Outdoor SPG-UV Series
- Outdoor SPG-V Series



LED drivers with metal case for outdoor LED lighting  
Open Circuit; Short Circuit; Over Load, Over Heat Protection

SPG50-A **NEW!**



SPG50-B **DIMMABLE** **NEW!**



### Reliable Technical Data

- Input Voltage Range:90-305 VAC
- IP65/67 design for indoor or outdoor installation
- Protections:short circuit/over load/over voltage/over temperature
- Built in active PFC function
- Cooling by free air, high reliability
- 100% burn-in with full load
- Suitable for LED lighting and moving sign applications
- A series: Output current and voltage is adjustable, IP65
- B series: Three in one dimming function (1-10Vdc, PWM signal or resistance), IP67
- Compliance to worldwide safety regulation for LED lightings
- 5 years warranty

- Safety standards to EN61347-1, EN61347-2-13, UL8750
- Withstand voltage to I/P: -0/P: 5.3KV DC 1 minute
- Isolation resistance to I/P: -0/P, I/P-FG: 50M Ohm / 500VDC / 25°C / 70%RH
- EMC emission to EN55015, FCC PART15 ClassB
- EMC immunity to EN61000-4-2, 3, 4, 5, 6, 8, 11; EN55024; EN61547
- Harmonic current to EN61000-3-2 CLASS C (100% load)



### Characteristics

Input Voltage Range: AC100-277V 50/60Hz (power factor measured at AC230V and full load)

Model No.	Constant output voltage	Load	Max output current	PF	Ta	Tc	L x W x H	IP
SPG50-12A	12V	0-50W	4.17A	≥0.96	60°C	90°C	157x53x36.5	IP65
SPG50-24A	24V	0-50W	2.08A	≥0.96	60°C	90°C	157x53x36.5	IP65
SPG50-12B	12V	0-50W	4.17A	≥0.96	60°C	90°C	157x53x36.5	IP67
SPG50-24B	24V	0-50W	2.08A	≥0.96	60°C	90°C	157x53x36.5	IP67





SPG80-A

NEW!



### Reliable Technical Data

- Input Voltage Range:90-305 VAC
- IP65/67 design for indoor or outdoor installation
- Protections:short circuit/over load/over voltage/over temperature
- Built in active PFC function
- Cooling by free air, high reliability
- 100% burn-in with full load
- Suitable for LED lighting and moving sign applications
- A series: Output current and voltage is adjustable, IP65
- B series: Three in one dimming function [1-10Vdc, PWM signal or resistance], IP67
- Compliance to worldwide safety regulation for LED lightings
- 5 years warranty

SPG80-B

DIMMABLE

NEW!

LEDset  
SELV Output



- Safety standards to EN61347-1, EN61347-2-13, UL8750
- Withstand voltage to I/P: -O/P: 5.3KV DC 1 minute
- Isolation resistance to I/P: -O/P, I/P-FG: 50M Ohm / 500VDC / 25°C / 70%RH
- EMC emission to EN55015, FCC PART15 ClassB
- EMC immunity to EN61000-4-2、 3、 4、 5、 6、 8、 11; EN55024; EN61547
- Harmonic current to EN61000-3-2 CLASS C (100% load)



SPG100-A



### Reliable Technical Data

- Input Voltage Range:90-305 VAC
- IP65/67 design for indoor or outdoor installation
- Protections:short circuit/over load/over voltage/over temperature
- Built in active PFC function
- Cooling by free air, high reliability
- 100% burn-in with full load
- Suitable for LED lighting and moving sign applications
- A series: Output current and voltage is adjustable, IP65
- B series: Three in one dimming function [1-10Vdc, PWM signal or resistance], IP67
- Compliance to worldwide safety regulation for LED lightings
- 5 years warranty

SPG100-B

DIMMABLE

LEDset  
SELV Output



- Safety standards to EN61347-1, EN61347-2-13, UL8750
- Withstand voltage to I/P: -O/P: 5.3KV DC 1 minute
- Isolation resistance to I/P: -O/P, I/P-FG: 50M Ohm / 500VDC / 25°C / 70%RH
- EMC emission to EN55015, FCC PART15 ClassB
- EMC immunity to EN61000-4-2、 3、 4、 5、 6、 8、 11; EN55024; EN61547
- Harmonic current to EN61000-3-2 CLASS C (100% load)



### Characteristics

Input Voltage Range: AC100-277V 50/60Hz [power factor measured at AC230V and full load]

Model No.	Constant output voltage	Load	Max output current	PF	Ta	Tc	L x W x H	IP
SPG80-12A	12V	0-75W 100-200VAC	6.67A	≥0.97	55°C	90°C	172x53x36.5	IP65
SPG80-24A	24V	0-80W 200-240VAC, 277VAC	3.33A	≥0.97	55°C	90°C	172x53x36.5	IP65
SPG80-12B	12V	0-75W 100-200VAC	6.67A	≥0.97	55°C	90°C	172x53x36.5	IP67
SPG80-24B	24V	0-80W 200-240VAC, 277VAC	3.33A	≥0.97	55°C	90°C	172x53x36.5	IP67



### Characteristics

Input Voltage Range: AC100-277V 50/60Hz [power factor measured at AC230V and full load]

Model No.	Constant output voltage	Load	Max output current	PF	Ta	Tc	L x W x H	IP
SPG100-12A	12V	0-100W	8.33A	≥0.97	60°C	90°C	173x63x38	IP65
SPG100-24A	24V	0-100W	4.17A	≥0.97	60°C	90°C	173x63x38	IP65
SPG100-12B	12V	0-100W	8.33A	≥0.97	60°C	90°C	173x63x38	IP67
SPG100-24B	24V	0-100W	4.17A	≥0.97	60°C	90°C	173x63x38	IP67



SPG150-A



### Reliable Technical Data

- Input Voltage Range:90-305 VAC
- IP65/67 design for indoor or outdoor installation
- Protections:short circuit/over load/over voltage/over temperature
- Built in active PFC function
- Cooling by free air, high reliability
- 100% burn-in with full load
- Suitable for LED lighting and moving sign applications
- A series: Output current and voltage is adjustable, IP65
- B series: Three in one dimming function [1-10Vdc, PWM signal or resistance], IP67
- Compliance to worldwide safety regulation for LED lightings
- 5 years warranty

SPG150-B

DIMMABLE

LEDset  
SELV Output



- Safety standards to EN61347-1, EN61347-2-13, UL8750
- Withstand voltage to I/P: -O/P: 5.3KV DC 1 minute
- Isolation resistance to I/P: -O/P, I/P-FG: 50M Ohm / 500VDC / 25°C / 70%RH
- EMC emission to EN55015, FCC PART15 ClassB
- EMC immunity to EN61000-4-2, 3, 4, 5, 6, 8, 11; EN55024; EN61547
- Harmonic current to EN61000-3-2 CLASS C (100% load)



SPG200-A



### Reliable Technical Data

- Input Voltage Range:90-305 VAC
- IP65/67 design for indoor or outdoor installation
- Protections:short circuit/over load/over voltage/over temperature
- Built in active PFC function
- Cooling by free air, high reliability
- 100% burn-in with full load
- Suitable for LED lighting and moving sign applications
- A series: Output current and voltage is adjustable, IP65
- B series: Three in one dimming function [1-10Vdc, PWM signal or resistance], IP67
- Compliance to worldwide safety regulation for LED lightings
- 5 years warranty

SPG200-B

DIMMABLE

LEDset  
SELV Output



- Safety standards to EN61347-1, EN61347-2-13, UL8750
- Withstand voltage to I/P: -O/P: 5.3KV DC 1 minute
- Isolation resistance to I/P: -O/P, I/P-FG: 50M Ohm / 500VDC / 25°C / 70%RH
- EMC emission to EN55015, FCC PART15 ClassB
- EMC immunity to EN61000-4-2, 3, 4, 5, 6, 8, 11; EN55024; EN61547
- Harmonic current to EN61000-3-2 CLASS C (100% load)



### Characteristics

Input Voltage Range: AC100-277V 50/60Hz [power factor measured at AC230V and full load]

- 50°C 100-200VAC
- 60°C 200-240VAC, 277VAC

Model No.	Constant output voltage	Load	Max output current	PF	Ta	Tc	L x W x H	IP
SPG150-12A	12V	0-150W	12.5A	≥0.98	50°C/60°C	90°C	193.6x63x38	IP65
SPG150-24A	24V	0-150W	6.25A	≥0.98	50°C/60°C	90°C	193.6x63x38	IP65
SPG150-12B	12V	0-150W	12.5A	≥0.98	50°C/60°C	90°C	193.6x63x38	IP67
SPG150-24B	24V	0-150W	6.25A	≥0.98	50°C/60°C	90°C	193.6x63x38	IP67

### Characteristics

Input Voltage Range: AC100-277V 50/60Hz [power factor measured at AC230V and full load]

- 50°C 100-200VAC
- 60°C 200-240VAC, 277VAC

Model No.	Constant output voltage	Load	Max output current	PF	Ta	Tc	L x W x H	IP
SPG200-12A	12V	0-192W	16A	≥0.98	50°C/60°C	90°C	216x63x37	IP65
SPG200-24A	24V	0-200W	8.33A	≥0.98	50°C/60°C	90°C	216x63x37	IP65
SPG200-12B	12V	0-192W	16A	≥0.98	50°C/60°C	90°C	216x63x37	IP67
SPG200-24B	24V	0-200W	8.33A	≥0.98	50°C/60°C	90°C	216x63x37	IP67



SPG240-A



### Reliable Technical Data

- Input Voltage Range:90-305 VAC
- IP65/67 design for indoor or outdoor installation
- Protections:short circuit/over load/over voltage/over temperature
- Built in active PFC function
- Cooling by free air, high reliability
- 100% burn-in with full load
- Suitable for LED lighting and moving sign applications
- A series: Output current and voltage is adjustable, IP65
- B series: Three in one dimming function [1-10Vdc, PWM signal or resistance], IP67
- Compliance to worldwide safety regulation for LED lightings
- 5 years warranty

SPG240-B

DIMMABLE

LEDset  
SELV Output



- Safety standards to EN61347-1, EN61347-2-13, UL8750
- Withstand voltage to I/P: -O/P: 5.3KV DC 1 minute
- Isolation resistance to I/P: -O/P, I/P-FG: 50M Ohm / 500VDC / 25°C / 70%RH
- EMC emission to EN55015, FCC PART15 ClassB
- EMC immunity to EN61000-4-2, 3, 4, 5, 6, 8, 11; EN55024; EN61547
- Harmonic current to EN61000-3-2 CLASS C (100% load)



SPG320-A



### Reliable Technical Data

- Input Voltage Range:180-305 VAC
- IP65/67 design for indoor or outdoor installation
- Protections:short circuit/over load/over voltage/over temperature
- Built in active PFC function
- Cooling by free air, high reliability
- 100% burn-in with full load
- Suitable for LED lighting and moving sign applications
- A series: Output current and voltage is adjustable, IP65
- B series: Three in one dimming function [1-10Vdc, PWM signal or resistance], IP67
- Compliance to worldwide safety regulation for LED lightings
- 5 years warranty

SPG320-B

DIMMABLE

LEDset  
SELV Output



- Safety standards to EN61347-1, EN61347-2-13, UL8750
- Withstand voltage to I/P: -O/P: 5.3KV DC 1 minute
- Isolation resistance to I/P: -O/P, I/P-FG: 50M Ohm / 500VDC / 25°C / 70%RH
- EMC emission to EN55015, FCC PART15 ClassB
- EMC immunity to EN61000-4-2, 3, 4, 5, 6, 8, 11; EN55024; EN61547
- Harmonic current to EN61000-3-2 CLASS C (100% load)



### Characteristics

Input Voltage Range: AC100-277V 50/60Hz [power factor measured at AC230V and full load]

- 45°C 100-200VAC
- 55°C 200-240VAC, 277VAC

Model No.	Constant output voltage	Load	Max output current	PF	Ta	Tc	L x W x H	IP
SPG240-12A	12V	0-216W	18A	≥0.98	45°C/55°C	90°C	220.6x62.5x41.3	IP65
SPG240-24A	24V	0-240W	10A	≥0.98	45°C/55°C	90°C	220.6x62.5x41.3	IP65
SPG240-12B	12V	0-216W	18A	≥0.98	45°C/55°C	90°C	220.6x62.5x41.3	IP67
SPG240-24B	24V	0-240W	10A	≥0.98	45°C/55°C	90°C	220.6x62.5x41.3	IP67



### Characteristics

Input Voltage Range: AC100-277V 50/60Hz [power factor measured at AC230V and full load]

- 45°C 120-200VAC
- 55°C 200-240VAC, 277VAC

Model No.	Constant output voltage	Load	Max output current	PF	Ta	Tc	L x W x H	IP
SPG320-12A	12V	0-264W	22A	≥0.98	45°C/55°C	90°C	261x62.5x41.4	IP65
SPG320-24A	24V	0-300W 120-200VAC 0-320W 200-240VAC, 277VAC	13.3A	≥0.98	45°C/55°C	90°C	261x62.5x41.4	IP65
SPG320-12B	12V	0-264W	22A	≥0.98	45°C/55°C	90°C	261x62.5x41.4	IP67
SPG320-24B	24V	0-300W 120-200VAC 0-320W 200-240VAC, 277VAC	13.3A	≥0.98	45°C/55°C	90°C	261x62.5x41.4	IP67



SPG50-UV **NEW!**



### Reliable Technical Data

- Input Voltage Range:90-305 VAC
- IP67 design for indoor or outdoor installation
- Protections:short circuit/over load/over voltage/over temperature
- Built in active PFC function
- Cooling by free air, high reliability
- 100% burn-in with full load
- Suitable for LED lighting and moving sign applications
- Compliance to worldwide safety regulation for LED lightings
- 5 years warranty

SPG80-UV **NEW!**



- Safety standards to EN61347-1, EN61347-2-13, UL8750
- Withstand voltage to I/P: -O/P: 5.3KV DC 1 minute
- Isolation resistance to I/P: -O/P, I/P-FG: 50M Ohm / 500VDC / 25°C / 70%RH
- EMC emission to EN55015, FCC PART15 ClassB
- EMC immunity to EN61000-4-2, 3, 4, 5, 6, 8, 11; EN55024; EN61547
- Harmonic current to EN61000-3-2 CLASS C (100% load)



SPG100-UV **NEW!**



### Reliable Technical Data

- Input Voltage Range:90-305 VAC
- IP67 design for indoor or outdoor installation
- Protections:short circuit/over load/over voltage/over temperature
- Built in active PFC function
- Cooling by free air, high reliability
- 100% burn-in with full load
- Suitable for LED lighting and moving sign applications
- Compliance to worldwide safety regulation for LED lightings
- 5 years warranty

SPG150-UV **NEW!**



- Safety standards to EN61347-1, EN61347-2-13, UL8750
- Withstand voltage to I/P: -O/P: 5.3KV DC 1 minute
- Isolation resistance to I/P: -O/P, I/P-FG: 50M Ohm / 500VDC / 25°C / 70%RH
- EMC emission to EN55015, FCC PART15 ClassB
- EMC immunity to EN61000-4-2, 3, 4, 5, 6, 8, 11; EN55024; EN61547
- Harmonic current to EN61000-3-2 CLASS C (100% load)



### Characteristics

Input Voltage Range: AC100-277V 50/60Hz [power factor measured at AC230V and full load]

Model No.	Constant output voltage	Load	Max output current	PF	Ta	Tc	L x W x H	IP
SPG50-12UV	12V	0-50W	4.17A	≥0.96	60°C	90°C	157x53x36.5	IP67
SPG50-24UV	24V	0-50W	2.08A	≥0.96	60°C	90°C	157x53x36.5	IP67
SPG80-12UV	12V	0-75W 100-200VAC	6.67A	≥0.97	55°C	90°C	172x53x36.5	IP67
SPG80-24UV	24V	0-80W 200-240VAC, 277VAC	3.33A	≥0.97	55°C	90°C	172x53x36.5	IP67



### Characteristics

Input Voltage Range: AC100-277V 50/60Hz [power factor measured at AC230V and full load]

- 50°C 100-200VAC
- 60°C 200-240VAC, 277VAC

Model No.	Constant output voltage	Load	Max output current	PF	Ta	Tc	L x W x H	IP
SPG100-12UV	12V	0-100W	8.33A	≥0.97	60°C	90°C	173x63x38	IP67
SPG100-24UV	24V	0-100W	4.17A	≥0.97	60°C	90°C	173x63x38	IP67
SPG150-12UV	12V	0-150W	12.5A	≥0.98	50°C/60°C	90°C	193.6x63x38	IP67
SPG150-24UV	24V	0-150W	6.25A	≥0.98	50°C/60°C	90°C	193.6x63x38	IP67



SPG200-UV **NEW!**



### Reliable Technical Data

- Input Voltage Range:90-305 VAC
- IP67 design for indoor or outdoor installation
- Protections:short circuit/over load/over voltage/over temperature
- Built in active PFC function
- Cooling by free air, high reliability
- 100% burn-in with full load
- Suitable for LED lighting and moving sign applications
- Compliance to worldwide safety regulation for LED lightings
- 5 years warranty

SPG240-UV **NEW!**



- Safety standards to EN61347-1, EN61347-2-13, UL8750
- Withstand voltage to I/P: -O/P: 5.3KV DC 1 minute
- Isolation resistance to I/P: -O/P, I/P-FG: 50M Ohm / 500VDC / 25°C / 70%RH
- EMC emission to EN55015, FCC PART15 ClassB
- EMC immunity to EN61000-4-2, 3, 4, 5, 6, 8, 11; EN55024; EN61547
- Harmonic current to EN61000-3-2 CLASS C (100% load)



### Characteristics

Input Voltage Range: AC100-277V 50/60Hz [power factor measured at AC230V and full load]

Model No.	Constant output voltage	Load	Max output current	PF	Ta	Tc	L x W x H	IP
SPG200-12UV	12V	0-192W	16A	≥0.98	50°C/60°C	90°C	216x63x37	IP67
SPG200-24UV	24V	0-200W	8.3A	≥0.98	50°C/60°C	90°C	216x63x37	IP67
SPG240-12UV	12V	0-216W	18A	≥0.98	45°C/55°C	90°C	220.6x62.5x41.3	IP67
SPG240-24UV	24V	0-240W	10A	≥0.98	45°C/55°C	90°C	220.6x62.5x41.3	IP67

- 50°C 100-200VAC
- 60°C 200-240VAC, 277VAC
- 45°C 100-200VAC
- 55°C 200-240VAC, 277VAC



SPG320-UV **NEW!**



### Reliable Technical Data

- Input Voltage Range:108-305 VAC
- IP67 design for indoor or outdoor installation
- Protections:short circuit/over load/over voltage/over temperature
- Built in active PFC function
- Cooling by free air, high reliability
- 100% burn-in with full load
- Suitable for LED lighting and moving sign applications
- Compliance to worldwide safety regulation for LED lightings
- 5 years warranty

- Safety standards to EN61347-1, EN61347-2-13, UL8750
- Withstand voltage to I/P: -O/P: 5.3KV DC 1 minute
- Isolation resistance to I/P: -O/P, I/P-FG: 50M Ohm / 500VDC / 25°C / 70%RH
- EMC emission to EN55015, FCC PART15 ClassB
- EMC immunity to EN61000-4-2, 3, 4, 5, 6, 8, 11; EN55024; EN61547
- Harmonic current to EN61000-3-2 CLASS C (100% load)



### Characteristics

Input Voltage Range: AC100-277V 50/60Hz [power factor measured at AC230V and full load]

Model No.	Constant output voltage	Load	Max output current	PF	Ta	Tc	L x W x H	IP
SPG320-12UV	12V	0-264W	22A	≥0.98	45°C/55°C	90°C	261x62.5x41.4	IP67
SPG320-24UV	24V	0-300W 120-200VAC 0-320W 200-240VAC, 277VAC	13.3A	≥0.98	45°C/55°C	90°C	261x62.5x41.4	IP67

- 45°C 100-200VAC
- 55°C 200-240VAC, 277VAC



SPG50-V **NEW!**



Reliable Technical Data

- Input Voltage Range:180-305 VAC
- IP67 design for indoor or outdoor installation
- Protections:short circuit/over load/over voltage/over temperature
- Built in active PFC function
- Cooling by free air, high reliability
- 100% burn-in with full load
- Suitable for LED lighting and moving sign applications
- Compliance to worldwide safety regulation for LED lightings
- 5 years warranty

SPG80-V **NEW!**



- Safety standards to EN61347-1, EN61347-2-13, UL8750
- Withstand voltage to I/P: -O/P: 5.3KV DC 1 minute
- Isolation resistance to I/P: -O/P, I/P-FG: 50M Ohm / 500VDC / 25°C / 70%RH
- EMC emission to EN55015, FCC PART15 ClassB
- EMC immunity to EN61000-4-2, 3, 4, 5, 6, 8, 11; EN55024; EN61547
- Harmonic current to EN61000-3-2 CLASS C (100% load)



SPG100-V **NEW!**



Reliable Technical Data

- Input Voltage Range:180-305 VAC
- IP67 design for indoor or outdoor installation
- Protections:short circuit/over load/over voltage/over temperature
- Built in active PFC function
- Cooling by free air, high reliability
- 100% burn-in with full load
- Suitable for LED lighting and moving sign applications
- Compliance to worldwide safety regulation for LED lightings
- 5 years warranty

SPG150-V **NEW!**



- Safety standards to EN61347-1, EN61347-2-13, UL8750
- Withstand voltage to I/P: -O/P: 5.3KV DC 1 minute
- Isolation resistance to I/P: -O/P, I/P-FG: 50M Ohm / 500VDC / 25°C / 70%RH
- EMC emission to EN55015, FCC PART15 ClassB
- EMC immunity to EN61000-4-2, 3, 4, 5, 6, 8, 11; EN55024; EN61547
- Harmonic current to EN61000-3-2 CLASS C (100% load)



Characteristics

Input Voltage Range: AC200-277V 50/60Hz [power factor measured at AC230V and full load]

Model No.	Constant output voltage	Load	Max output current	PF	Ta	Tc	L x W x H	IP
SPG50-12V	12V	0-50W	4.17A	≥0.97	55°C	80°C	157x53x36.5	IP67
SPG50-24V	24V	0-50W	2.08A	≥0.97	55°C	80°C	157x53x36.5	IP67
SPG80-12V	12V	0-80W	6.67A	≥0.97	55°C	90°C	157x53x36.5	IP67
SPG80-24V	24V	0-80W	3.33A	≥0.97	55°C	90°C	157x53x36.5	IP67



Characteristics

Input Voltage Range: AC200-277V 50/60Hz [power factor measured at AC230V and full load]

Model No.	Constant output voltage	Load	Max output current	PF	Ta	Tc	L x W x H	IP
SPG100-12V	12V	0-100W	8.33A	≥0.97	55°C	80°C	173x63x38	IP67
SPG100-24V	24V	0-100W	4.17A	≥0.97	55°C	80°C	173x63x38	IP67
SPG150-12V	12V	0-150W	12.5A	≥0.98	60°C	90°C	193.6x63x38	IP67
SPG150-24V	24V	0-150W	6.25A	≥0.98	60°C	90°C	193.6x63x38	IP67



SPG200-V **NEW!**



### Reliable Technical Data

- Input Voltage Range:180-305 VAC
- IP67 design for indoor or outdoor installation
- Protections:short circuit/over load/over voltage/over temperature
- Built in active PFC function
- Cooling by free air, high reliability
- 100% burn-in with full load
- Suitable for LED lighting and moving sign applications
- Compliance to worldwide safety regulation for LED lightings
- 5 years warranty

SPG240-V **NEW!**



- Safety standards to EN61347-1, EN61347-2-13, UL8750
- Withstand voltage to I/P: -O/P: 5.3KV DC 1 minute
- Isolation resistance to I/P: -O/P, I/P-FG: 50M Ohm / 500VDC / 25°C / 70%RH
- EMC emission to EN55015, FCC PART15 ClassB
- EMC immunity to EN61000-4-2, 3, 4, 5, 6, 8, 11; EN55024; EN61547
- Harmonic current to EN61000-3-2 CLASS C (100% load)



SPG320-V **NEW!**



### Reliable Technical Data

- Input Voltage Range:180-305 VAC
- IP67 design for indoor or outdoor installation
- Protections:short circuit/over load/over voltage/over temperature
- Built in active PFC function
- Cooling by free air, high reliability
- 100% burn-in with full load
- Suitable for LED lighting and moving sign applications
- Compliance to worldwide safety regulation for LED lightings
- 5 years warranty

- Safety standards to EN61347-1, EN61347-2-13, UL8750
- Withstand voltage to I/P: -O/P: 5.3KV DC 1 minute
- Isolation resistance to I/P: -O/P, I/P-FG: 50M Ohm / 500VDC / 25°C / 70%RH
- EMC emission to EN55015, FCC PART15 ClassB
- EMC immunity to EN61000-4-2, 3, 4, 5, 6, 8, 11; EN55024; EN61547
- Harmonic current to EN61000-3-2 CLASS C (100% load)



### Characteristics

Input Voltage Range: AC200-277V 50/60Hz [power factor measured at AC230V and full load]

Model No.	Constant output voltage	Load	Max output current	PF	Ta	Tc	L x W x H	IP
SPG200-12V	12V	0-200W	16.67A	≥0.98	55°C	90°C	216x63x37	IP67
SPG200-24V	24V	0-200W	8.3A	≥0.98	55°C	90°C	216x63x37	IP67
SPG240-12V	12V	0-216W	18A	≥0.98	55°C	90°C	216x63x37	IP67
SPG240-24V	24V	0-240W	10A	≥0.98	55°C	90°C	216x63x37	IP67



### Characteristics

Input Voltage Range: AC200-277V 50/60Hz [power factor measured at AC230V and full load]

Model No.	Constant output voltage	Load	Max output current	PF	Ta	Tc	L x W x H	IP
SPG320-12V	12V	0-300W	25A	≥0.98	55°C	90°C	261x62.5x41.4	IP67
SPG320-24V	24V	0-320W	13.3A	≥0.98	55°C	90°C	261x62.5x41.4	IP67



# IP20 Regular Linetype Series

IP20 Wide Input Voltage Series  
IP20 Regular Linear Size Built In Connector Series



Snappy Linetype LED power supply is a perfect solution for LED lighting and LED sign applications  
Short Circuit; Over Load, Over Voltage, Over Heat Protection.  
Input:100-240VAC

## SSL60-VF

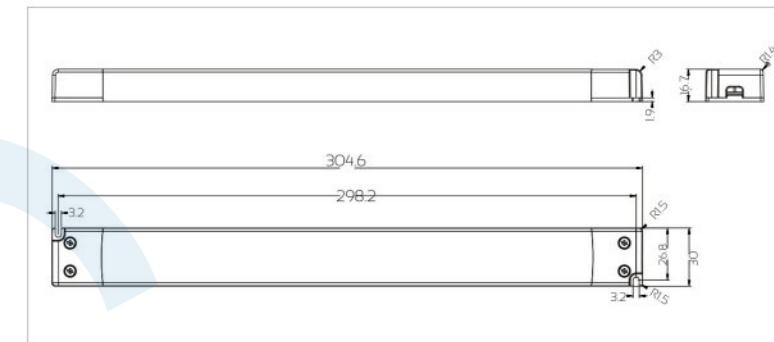


### Reliable Technical Data

- Input Voltage Range:198-264VAC
- Input Frequency:50/60Hz
- Output Power:60W
- Body: PC
- Open Circuit; Short Circuit; Over Load;
- Safety According to EN61347-1, EN61347-2-13
- EMI According to EN55015
- EMS According to EN61000-3-2; EN61000-3-3; EN61547
- EMF According to EN62493
- ERP According to EN1194-2012



### Dimension in mm



### Characteristics

Input Voltage Range: AC198-264V 50/60Hz (power factor measured at AC230V and full load)

Model No.	Constant output voltage	Load	Max output current	PF	Ta	Tc	L x W x H
SSL60-12VF	12V	0-60W	5.0A	≥0.9	45°C	90°C	304.6x30x16.7
SSL60-24VF	24V	0-60W	2.5A	≥0.9	45°C	90°C	304.6x30x16.7





## SL100-VF

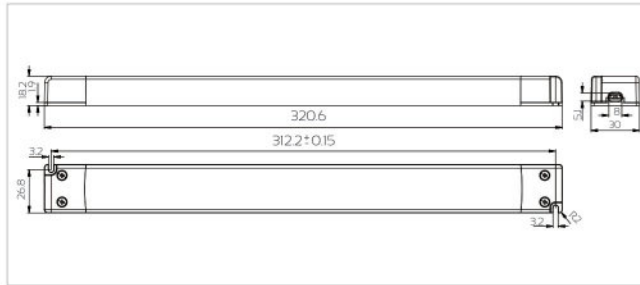


### Reliable Technical Data

- Input Voltage Range: 180-264VAC
- Input Frequency: 50/60Hz
- Output Power: 100W
- Body: PC
- Open Circuit; Short Circuit; Over Load;
- Over Heat Protection
- Safety According to EN61347-1, EN61347-2-13
- EMI According to EN55015
- EMS According to EN61000-3-2; EN61000-3-3; EN61547
- EMF According to EN62493
- ERP According to EN1194-2012



### Dimension in mm



### Characteristics

Input Voltage Range: AC180-264V 50/60Hz (power factor measured at AC230V and full load)

Model No.	Constant output voltage	Load	Max output current	PF	Ta	Tc	L x W x H
SL100-24VF	24V	0-100W	4.17A	≥0.9	45°C	90°C	320.6x30x18.2
SL100-48VF	48V	0-100W	2.08A	≥0.9	45°C	90°C	320.6x30x18.2



## SL200-VF

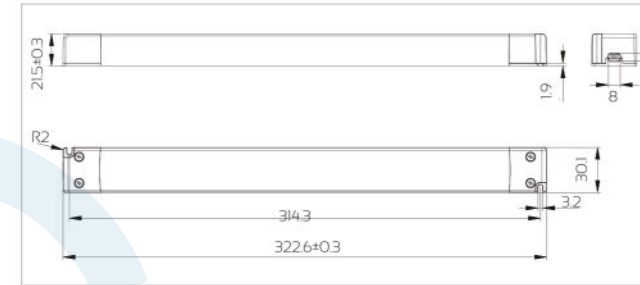


### Reliable Technical Data

- Input Voltage Range: 198-264VAC
- Input Frequency: 50/60Hz
- Output Power: 200W
- Body: PC
- Open Circuit; Short Circuit; Over Load;
- Over Heat Protection
- Safety According to EN61347-1, EN61347-2-13
- EMI According to EN55015
- EMS According to EN61000-3-2; EN61000-3-3; EN61547
- EMF According to EN62493
- ERP According to EN1194-2012



### Dimension in mm



### Characteristics

Input Voltage Range: AC198-264V 50/60Hz (power factor measured at AC230V and full load)

Model No.	Constant output voltage	Load	Max output current	PF	Ta	Tc	L x W x H
SL200-24VF	24V	0-200W	8.33A	≥0.9	45°C	90°C	322.6x30.1x21.5
SL200-48VF	48V	0-200W	4.17A	≥0.9	45°C	90°C	322.6x30.1x21.5



SL240-VF

CV Version

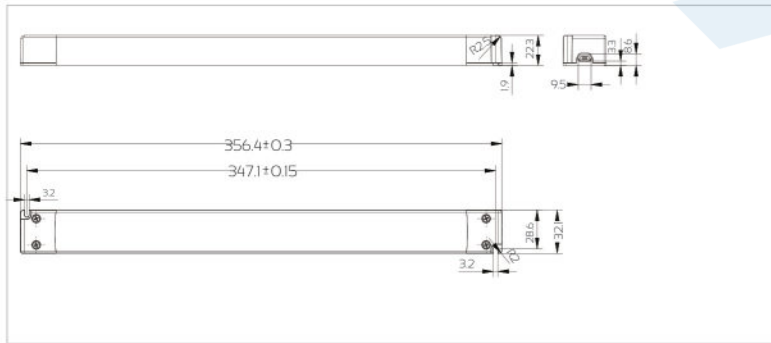


Reliable Technical Data

- Input Voltage Range:180-264VAC
- Input Frequency:50/60Hz
- Output Power:240W
- Body: PC
- Open Circuit; Short Circuit; Over Load;
- Over Heat Protection
- Safety According to EN61347-1, EN61347-2-13
- EMI According to EN55015
- EMS According to EN61000-3-2; EN61000-3-3; EN61547
- EMF According to EN62493
- ERP According to EN1194-2012



Dimension in mm



Characteristics

Input Voltage Range: AC180-264V 50/60Hz (power factor measured at AC230V and full load)

Model No.	Constant output voltage	Load	Max output current	PF	Ta	Tc	L x W x H
SL240-24VF	24V	0-240W	10A	>0.9	45°C	90°C	356.4x32.1x22.3
SL240-48VF	48V	0-240W	5A	>0.9	45°C	90°C	356.4x32.1x22.3



SL100-VF(UE)

CV Version

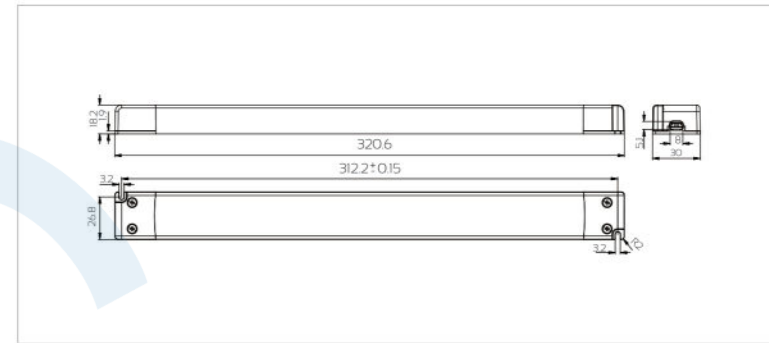


Reliable Technical Data

- Input Voltage Range:90-264VAC
- Input Frequency:50/60Hz
- Output Power:100W
- Body: PC
- Open Circuit; Short Circuit; Over Load;
- Over Heat Protection
- Safety According to EN61347-1, EN61347-2-13, UL8750
- EMI According to EN55015, FCC PART ClassB
- EMS According to EN61000-3-2; EN61000-3-3; EN61547
- EMF According to EN62493
- ERP According to EN1194-2012



Dimension in mm



Characteristics

Input Voltage Range: AC90-264V 50/60Hz (power factor measured at AC230V and full load)

Model No.	Constant output voltage	Load	Max output current	PF	Ta	Tc	L x W x H
SL100-48VF(UE)	48V	0-100W	2.08A	≥0.9	45°C	90°C	320.6x30x18.2



## SL150-VF(UE)

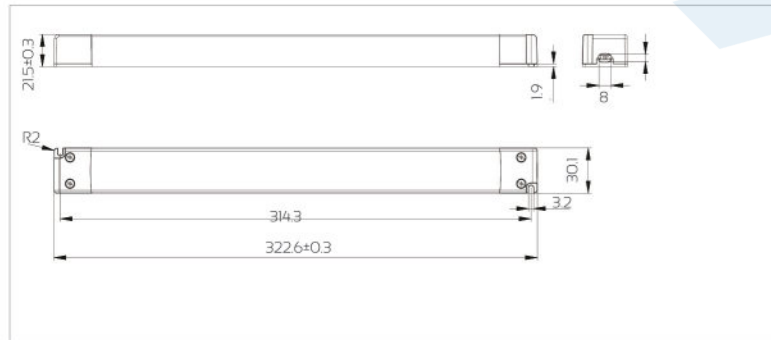


### Reliable Technical Data

- Input Voltage Range:90-264VAC
- Input Frequency:50/60Hz
- Output Power:150W
- Body: PC
- Open Circuit; Short Circuit; Over Load;
- Over Heat Protection
- Safety According to EN61347-1, EN61347-2-13, UL8750
- EMI According to EN55015, FCC PART ClassB
- EMS According to EN61000-3-2; EN61000-3-3; EN61547
- EMF According to EN62493
- ERP According to EN1194-2012



### Dimension in mm



### Characteristics

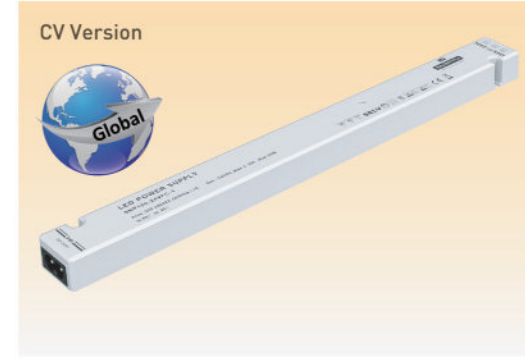
Input Voltage Range: AC90-264V 50/60Hz (power factor measured at AC230V and full load)

Model No.	Constant output voltage	Load	Max output current	PF	Ta	Tc	L x W x H
SL150-48VF(UE)	48V	0-150W	3.125A	≥0.9	45°C	90°C	322.6x30.1x21.5



## SL30-VFC(UE)/SL60-VFC(UE) SL100-VFC(UE)

NEW!

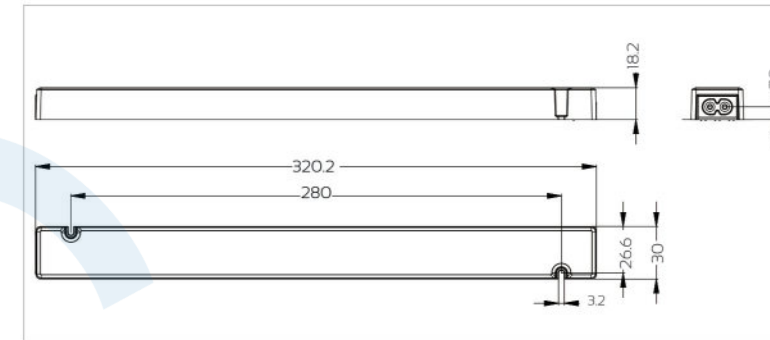


### Reliable Technical Data

- Input Voltage Range:90-264VAC
- Input Frequency:50/60Hz
- Output Power:30W/60W/100W
- Body: PC
- Open Circuit; Short Circuit; Over Load;
- Safety According to EN61347-1, EN61347-2-13
- EMI According to EN55015
- EMS According to EN61000-3-2; EN61000-3-3; EN61547
- EMF According to EN62493
- ERP According to EN1194-2012



### Dimension in mm



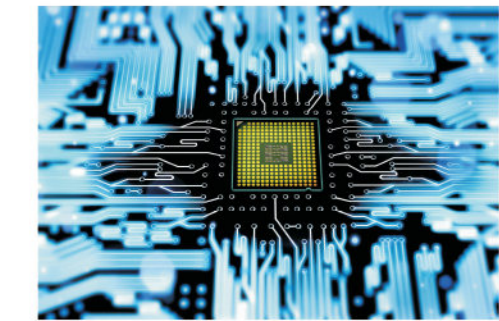
### Characteristics

Input Voltage Range: AC90-264V 50/60Hz (power factor measured at AC230V and full load)

Model No.	Constant output voltage	Load	Max output current	PF	Ta	Tc	L x W x H
SL30-12VFC(UE)	12V	0-30W	2.5A	≥0.9	45°C	90°C	320.2x30x18.2
SL30-24VFC(UE)	24V	0-30W	1.25A	≥0.9	45°C	90°C	320.2x30x18.2
SL60-12VFC(UE)	12V	0-60W	5.0A	≥0.9	45°C	80°C	320.2x30x18.2
SL60-24VFC(UE)	24V	0-60W	2.5A	≥0.9	45°C	80°C	320.2x30x18.2
SL100-24VFC(UE)	24V	0-100W	4.17A	≥0.9	45°C	90°C	320.2x30x18.2



# Smart Voice Control System Introduction



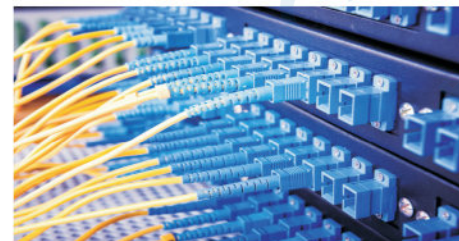
Device



APP



Gateway



Cloud server



TmallGenie



amazon echo

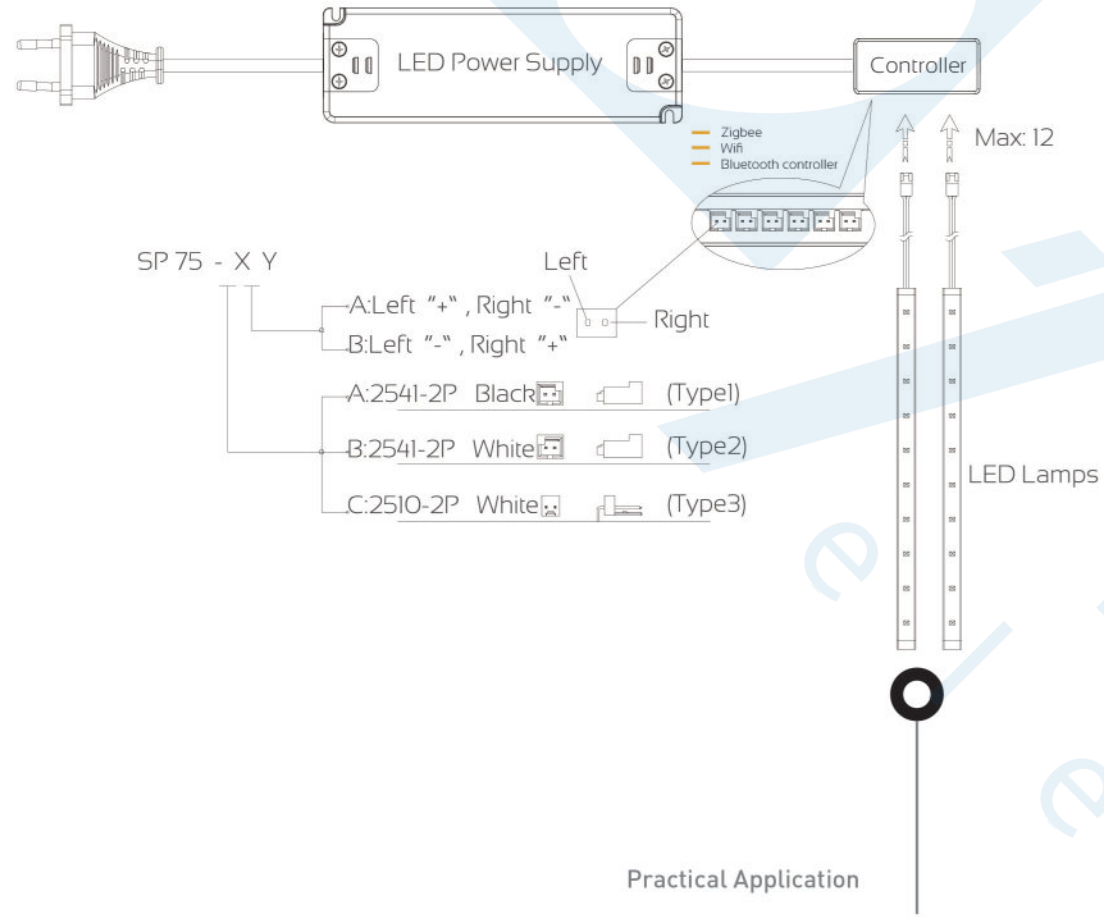
Alexa

Access to the third party servers

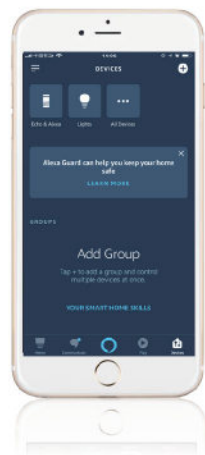


Access to the third party systems





Practical Application



SP75-ZIGBEE/SP75-BLUETOOTH



Reliable Technical Data

- Rated Input Voltage: 12-24VDC
- Input Frequency: 50/60Hz
- Dimension: L72xW31.8xH16.8mm
- Body: PC

SP100-ZIGBEE-VF

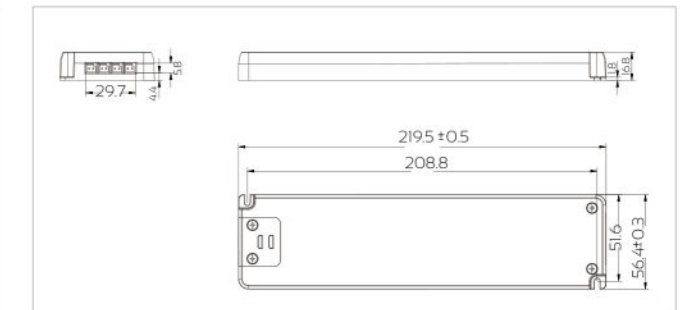
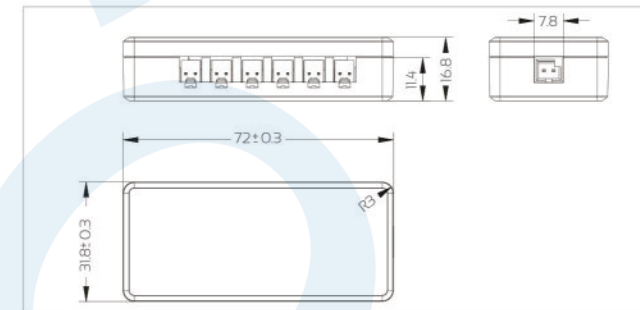


Reliable Technical Data

- Input Voltage Range: 180-264VAC
- Input Frequency: 50/60Hz
- Output Power: 100W
- Body: PC
- Open Circuit; Short Circuit; Over Load;



Dimension in mm



Characteristics

Rated input voltage: 12-24VDC 50/60Hz

Model No.	Input voltage	Max output current	Ta	Tc	L x W x H
SP75-ZIGBEE	12V-24V	6.25A Max	50°C	75°C	72x31.8x16.8
SP75-BLUETOOTH	12V-24V	6.25A Max	50°C	75°C	72x31.8x16.8

work with TmallGenie 用于天猫精灵

Input Voltage Range: AC180-264V 50/60Hz (power factor measured at AC230V and full load)

Model No.	Constant output voltage	Load	Max output current	PF	Ta	Tc	L x W x H
SP100-ZIGBEE-24VF	24V	0-100W	4.17A	≥0.9	45°C	90°C	219.5x56.4x16.8



SDL60-VFB/SDL100-VFB/ SDL150-VFB/  
SDL200-VFB/ SDL240-VFB



### Reliable Technical Data

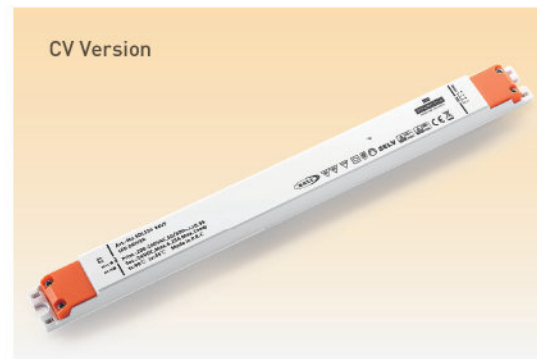
- Input Voltage Range:198-264VAC
- Input Frequency:50/60Hz
- Output Power:60W/100W/150W/200W/240W
- Body: Tinplate, Aluminium, Plastic case
- Open Circuit; Short Circuit; Over Load;
- Over Heat Protection
- Safety According to EN61347-1, EN61347-2-13
- EMI According to EN55015
- EMS According to EN61000-3-2; EN61000-3-3; EN61547
- EMF According to EN62493
- ERP According to EN1194-2012
- DALI 2 IEC62386



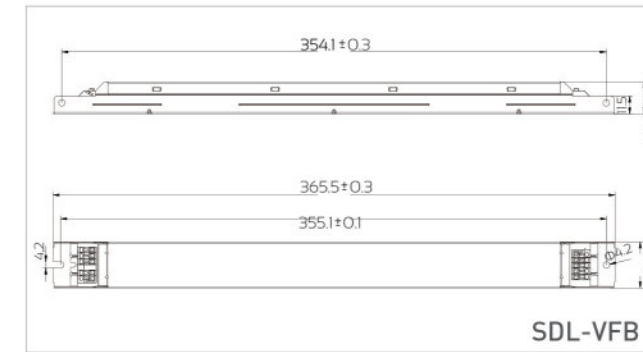
SDL60-VFP/ SDL100-VFP/SDL150-VFP/  
SDL200-VFP/SDL240-VFP



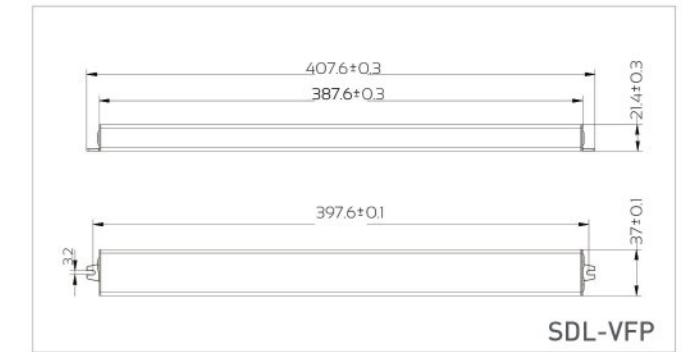
SDL60-VF/SDL100-VF/SDL150-VF/  
SDL200-VF/SDL240-VF



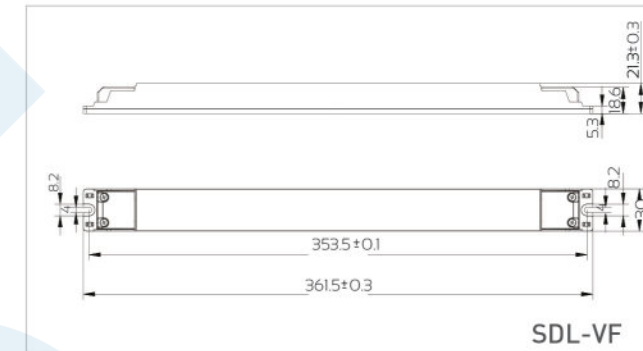
### Dimension in mm



SDL-VFB



SDL-VFP



SDL-VF



SDL-VF DT8

### Characteristics

Input Voltage Range:198-264VAC 50/60Hz [power factor measured at AC230V and full load]

Model No.	Constant output voltage	Max output current	Power	PF	Ta	Tc	Body
SDL60-VFB	12V/24V	5.0A/2.5A	10-60W	>0.9	45°C(12V) 50°C(24V)	70°C	Tinplate
SDL100-VFB	12V/24V	8.33A/4.16A	10-100W	>0.9	55°C	80°C	Tinplate
SDL150-VFB	12V/24V	11A/6.25A	48-132W/48-150W	>0.9	45°C	80°C	Tinplate
SDL60-VFP	12V/24V	5.0A/2.5A	10-60W	>0.9	60°C	80°C	Aluminium
SDL100-VFP	12V/24V	8.33A/4.17A	10-100W	>0.9	60°C	85°C	Aluminium
SDL150-VFP	12V/24V	11A/6.25A	48-132W/48-150W	>0.9	60°C	90°C	Aluminium
SDL60-VF	12V/24V/48V	5.0A/2.5A/1.25A	10-60W	>0.9	45°C	85°C	Plastic
SDL100-VF	12V/24V/48V	8.33A/4.16A/2.08A	10-100W	>0.9	45°C	85°C	Plastic
SDL150-VF	12V/24V/48V	11A/6.25A/3.13A	48-132W/48-150W/48-150W	>0.9	45°C	90°C	Plastic
SDL200-VF	12V/24V/48V	14.2A/8.33A/4.17A	48-170W/48-200W/48-200W	>0.9	45°C	80°C	Plastic
SDL240-VF	24V/48V	10A/5A	72-240W	>0.9	45°C	80°C	Plastic
Dimmable: DT8 DIM & CT							
SDL100-VF	12V/24V	8.33A/4.16A	10-100W	>0.9	45°C	85°C	Plastic
SDL150-VF	12V/24V	11A/6.25A	48-132W/48-150W	>0.9	45°C	90°C	Plastic



# Sensor



Standard Dimmer



Wireless Remote



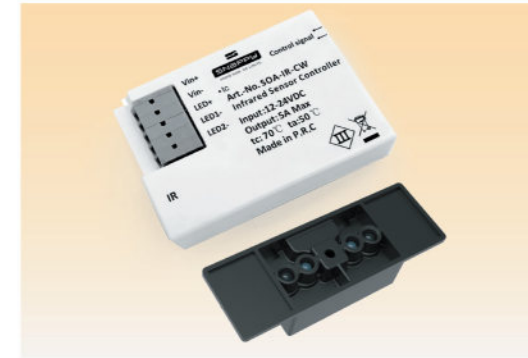
IR Sensor



PIR Sensor

## IR Sensor(Low Voltage)

SOA-IR-CW +S107 **NEW!**

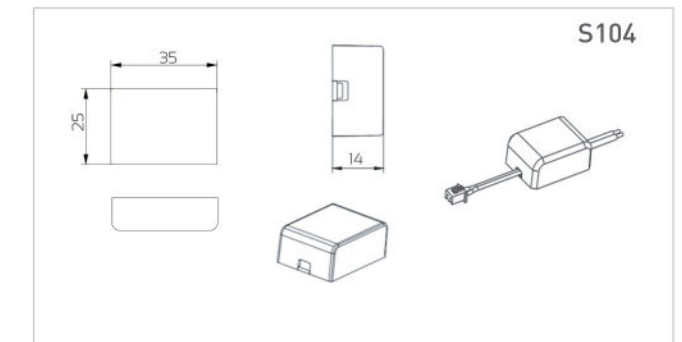
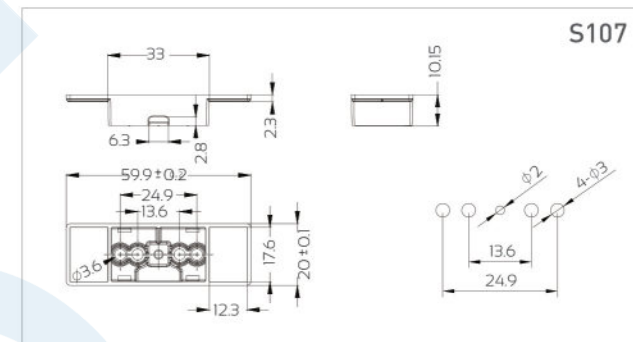


### Reliable Technical Data

SOA-IR-CW is an infrared sensor, with 12V-24V input, which is often used for cabinet and mirror lights. The sensor has infrared induction, CCT adjustable function, memory function.



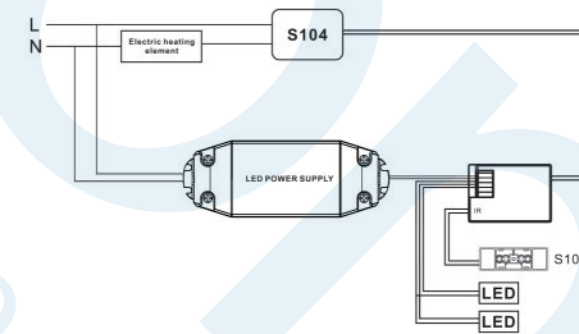
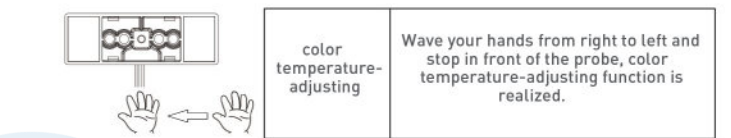
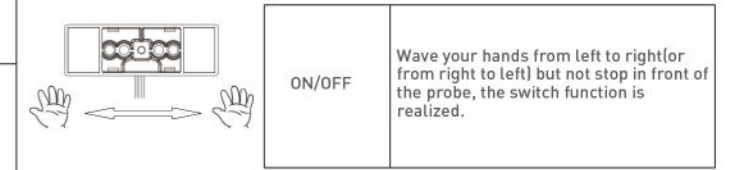
### Dimension in mm



### Function

1. The product with dimming, color temperature-adjusting and switching functions, decide to execute a command by recognizing a gesture, it with memory function after power off.

Sensor	Mirror thickness(L)	Max.sensor distance
S107	≤5mm	4-6cm

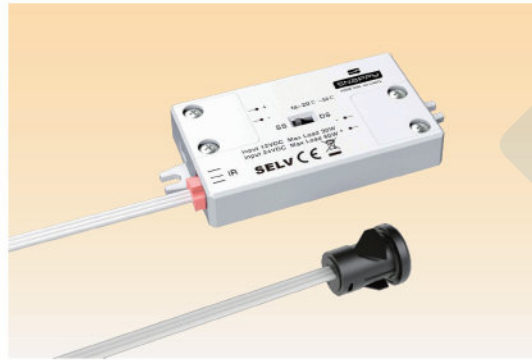


2. Defogging heating mode: the ON/OFF of electric heating element is synchronous with SOA-IR-CW via the S104

Model No.	Rated input voltage	Rated output voltage	Load	Ta	L x W x H
SOA-IR-CW	DC 12V	DC 12V	0-60W	-20-50°C	59.9x20x10.15
	DC 24V	DC 24V	0-120W	-20-50°C	59.9x20x10.15



SOA-IR

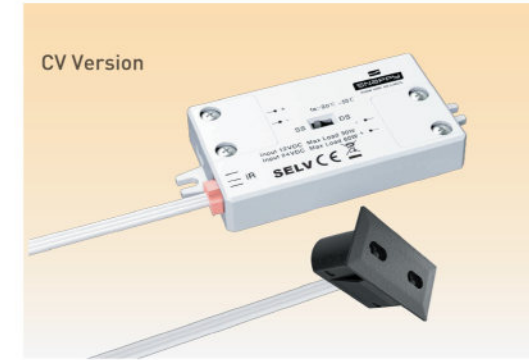


### Reliable Technical Data

- IR sensor
- Detection range: 5-10cm is recommended
- Selectable output connection: terminal block and mini plug



SOK-IR+S106 **NEW!**



### Reliable Technical Data

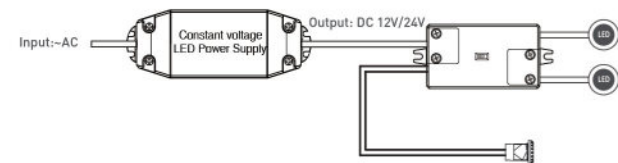
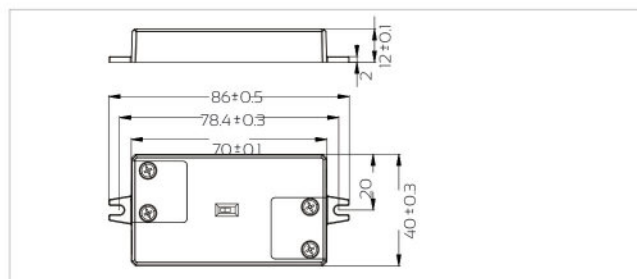
- IR sensor
- Detection range: less than 5cm(2) is recommended
- Selectable output connection: terminal block and mini plug



### Sensor (Options)

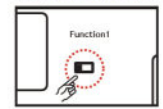
Sensor	Dimension(mm)	Hole opening diameter(D)	Board thickness(L)	Attentions	Options
S101		Ø14mm	< 10mm	—	Standard
S102		Ø13mm	> 1mm	—	Optional
S102-1		Ø13mm	> 1mm	—	Optional
S105		—	≤ 5mm	—	Optional

### Dimension in mm



### Application

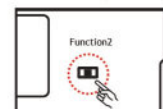
#### Function1 Cabinet mode(ON/OFF)



- No shelter in front of the sensor, relay closed, LED power supply access to AC voltage
- When sensor covered, relay opened, no AC voltage load of LED power supply

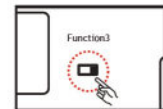


#### Function 2 Mirror mode(ON/OFF)



- Move hand over the detector the first time, relay closed, LED power supply load connected to AC voltage
- Move hand over the detector the second time, relay opened, LED power supply load disconnected to AC voltage
- Wave hand to achieve the purpose of cyclic switching

#### Function 3 Mirror mode(ON/OFF+Dimming)

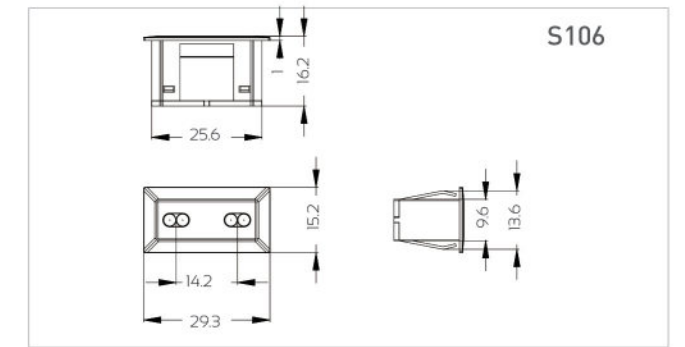
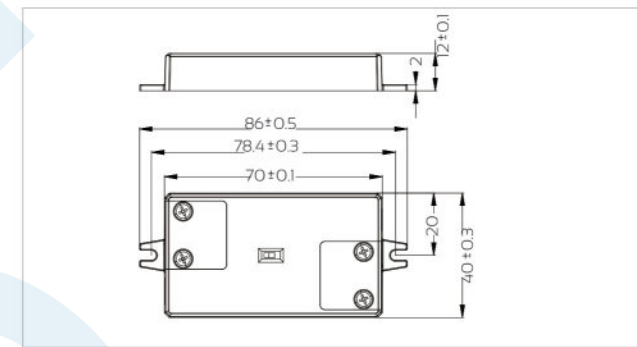


- Move hand over the sensor, ON/OFF Every wave, ON/OFF shift
- Hold hand over the sensor, dimming function Every stay, lighten and darken shift
- Cut off or mode changes, memory function kept.

Model No.	Rated input voltage	Rated output voltage	Load	L x W x H
SOA-IR	DC 12V	DC 12V	0-60W	86x40x12
	DC 24V	DC 24V	0-120W	86x40x12



### Dimension in mm



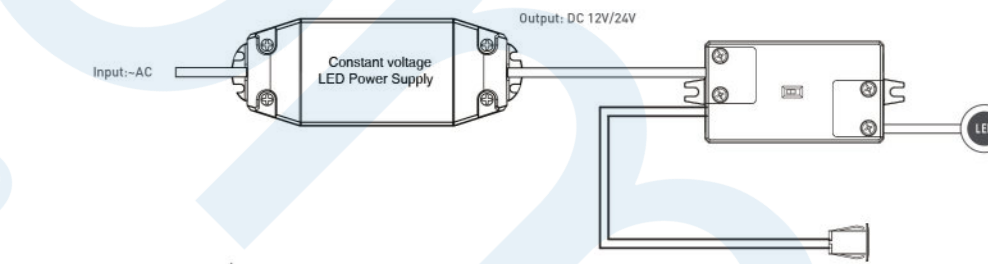
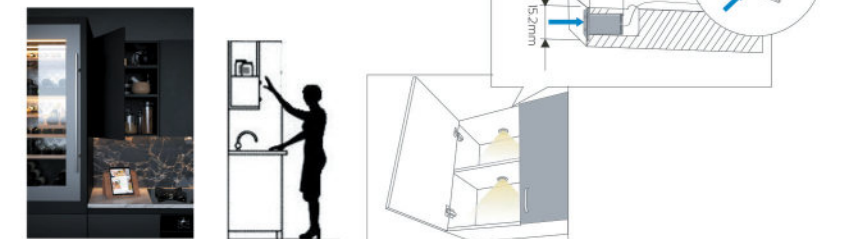
### Product description

SOK-IR It is a kind of infrared induction control products, the input is generally used in the range of 12-24 V power supply. It is suitable for the control of double door cabinet lamp

### Function Cabinet mode(switch)

Note: it is applied to the control of double door cabinet lamp

- When both doors are closed, the LED load is disconnected from the driving power supply, and the light goes out;
- When any single door is opened, turn on the LED load and drive power, and the light will be on



Model No.	Rated input voltage	Rated output voltage	Load	L x W x H
SOK-IR+S106	DC 12V	DC 12V	0-60W	86x40x12
	DC 24V	DC 24V	0-120W	86x40x12





# IR Sensor(Line Voltage)

SIK-IR



### Reliable Technical Data

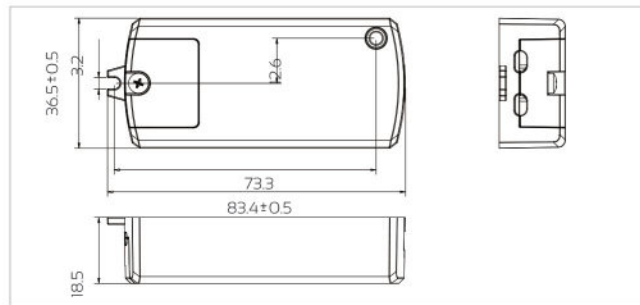
- IR sensor
- Detection range: 5-10cm is recommended



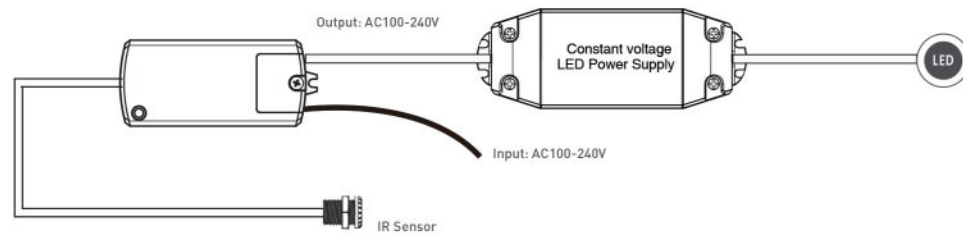
### Sensor (Options)

Sensor	Dimension(mm)	Hole opening diameter(D)	Board thickness(L)	Attentions	Options
S101		Ø14mm	< 10mm	—	Standard
S102		Ø13mm	> 1mm	—	Optional
S102-1		Ø13mm	> 1mm	—	Optional

### Dimension in mm



### Application



Model No.	Rated input voltage	Rated output voltage	Rated current	LED Driver Rated voltage	L x W x H
SIK-IR	AC100-240V	AC100-240V	Max.1A	100VA(AC 100V) 240VA(AC 240V)	83.4x36.5x18.5



SIM-IR



### Reliable Technical Data

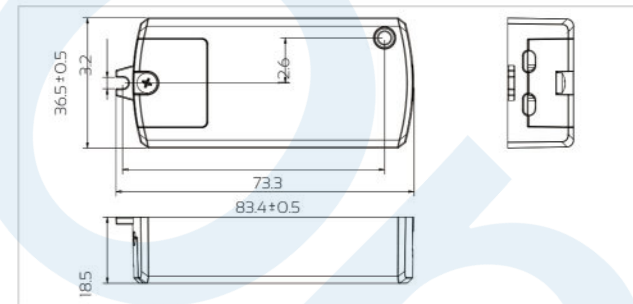
- IR sensor
- Detection range: 5-10cm is recommended



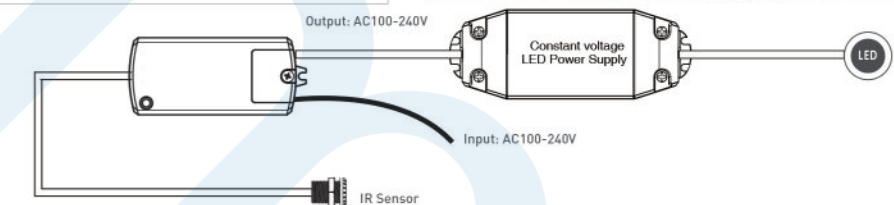
### Sensor (Options)

Sensor	Dimension(mm)	Hole opening diameter(D)	Board thickness(L)	Attentions	Options
S101		Ø14mm	< 10mm	—	Standard
S102		Ø13mm	> 1mm	—	Optional
S102-1		Ø13mm	> 1mm	—	Optional
S105		—	≤ 5mm	—	Optional

### Dimension in mm



### Application

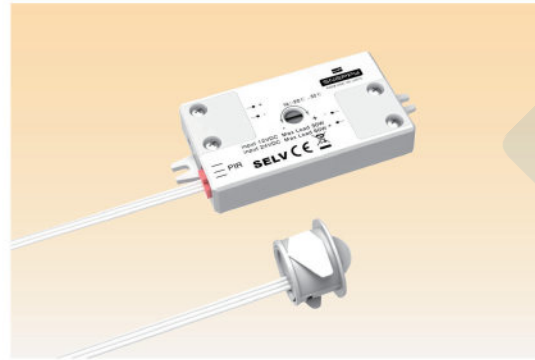


Model No.	Rated input voltage	Rated output voltage	Rated current	LED Driver Rated voltage	L x W x H
SIM-IR	AC100-240V	AC100-240V	Max.1A	100VA(AC 100V) 240VA(AC 240V)	83.4x36.5x18.5



# PIR Sensor(Low Voltage)

SOL-PIR

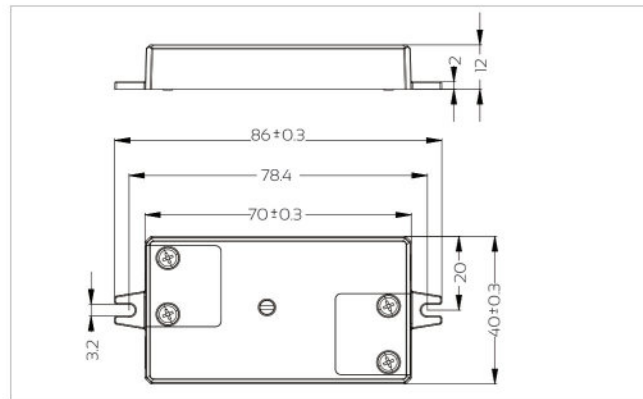


### Reliable Technical Data

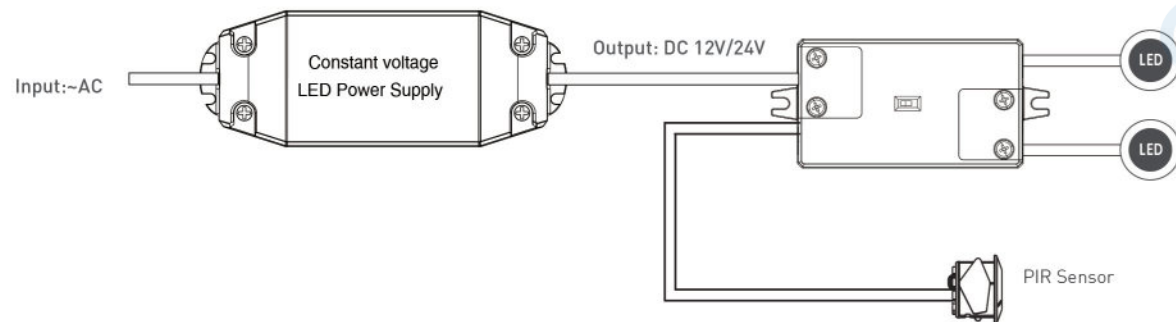
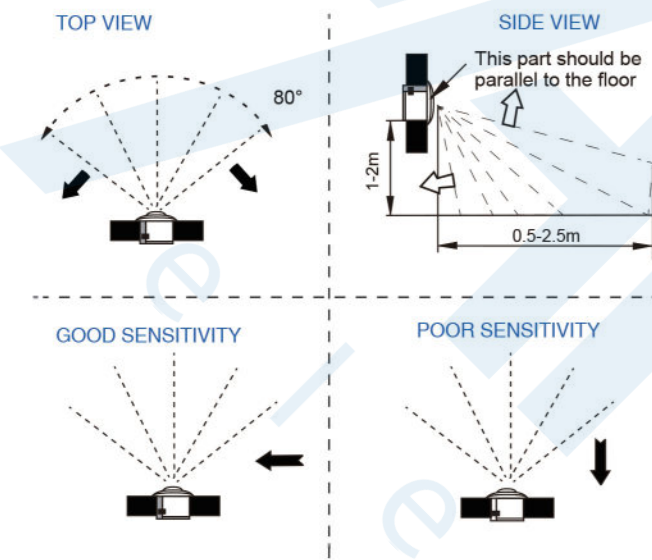
- Human-body detection sensor
- Detection range: Max. 2.5m(98-7/16")
- Detection angle: 80°
- Detection time: 10sec~3min
- Selectable output connection: terminal block and mini plug



### Dimension in mm



### Application



Model No.	Rated input voltage	Rated output voltage	Load	L x W x H
SOL-PIR	DC 12V	DC 12V	0-75W	86x40x12
	DC 24V	DC 24V	0-150W	86x40x12



# PIR Sensor(Line Voltage)

SIL-PIR

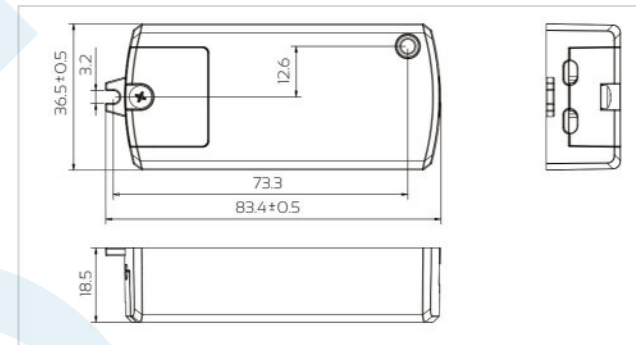


### Reliable Technical Data

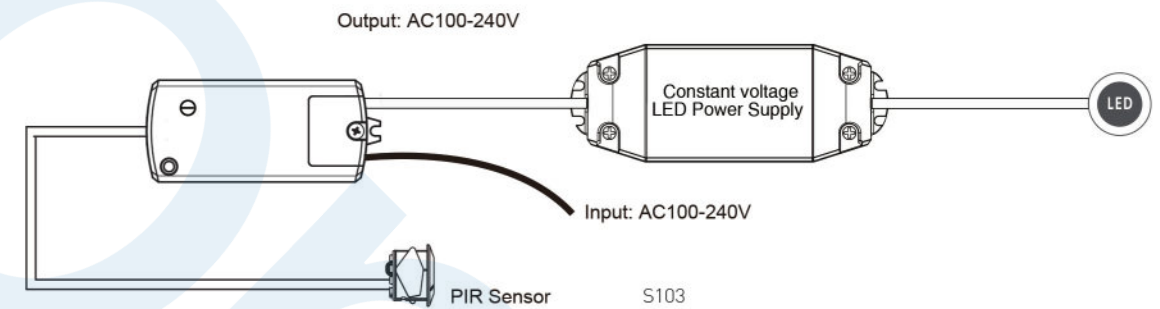
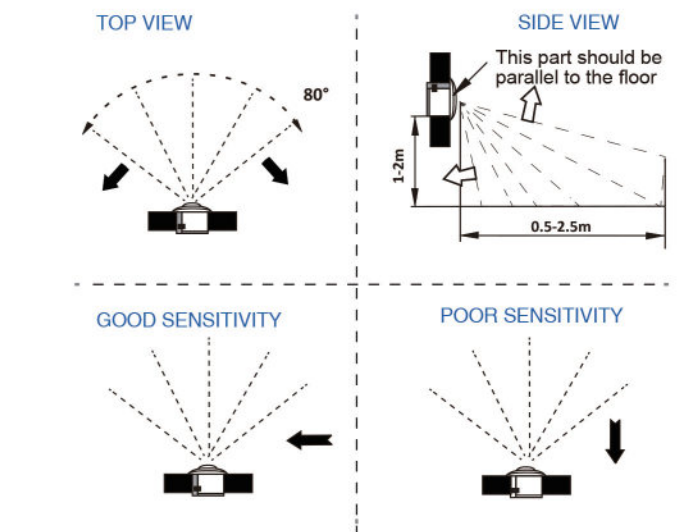
- Human-body detection sensor
- Detection range: Max. 2.5m
- Detection angle: 80°
- Detection time: 10sec~3min



### Dimension in mm



### Application

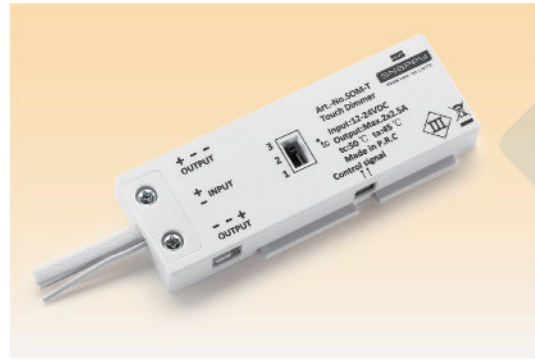


Model No.	Rated input voltage	Rated output voltage	Rated current	LED Driver Rated voltage	L x W x H
SIL-PIR	AC100-240V	AC100-240V	Max.1A	100VA(AC 100V) 240VA(AC 240V)	83.4x36.5x18.5



# Touch Sensor(Low Voltage)

## SOM-T/SOM-TB

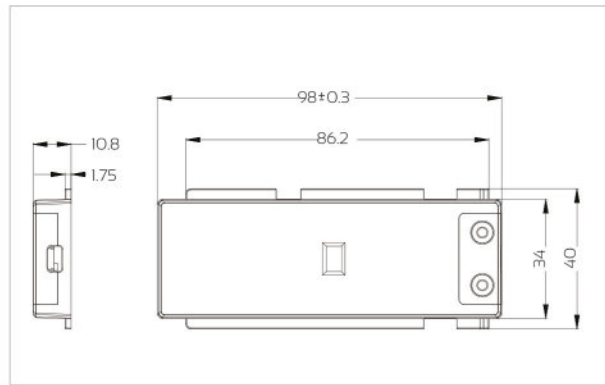


### Reliable Technical Data

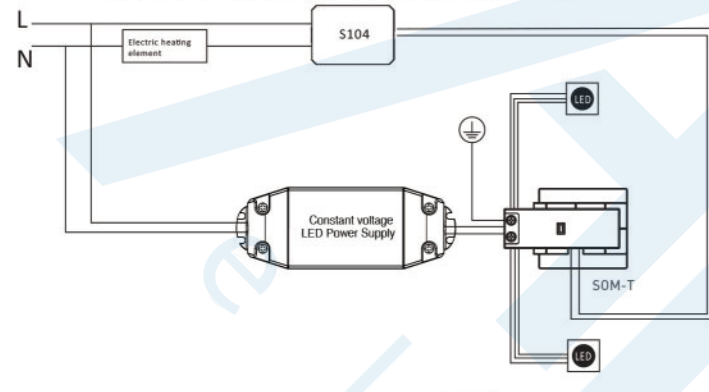
- Touch sensor
- Used behind mirror
- Memory function



### Dimension in mm

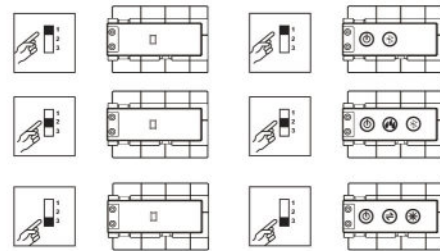


The ON/OFF of Electric heating element is Synchronous with SOM-T via the S104



### Function:

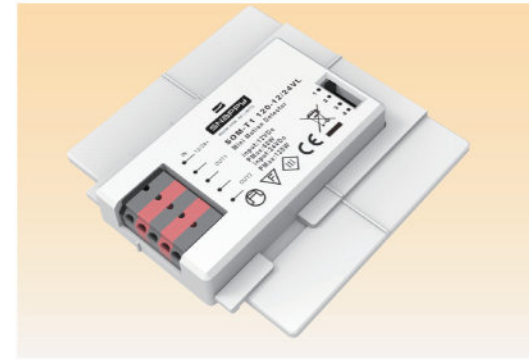
- ⏻ Short touch | < 1s: On/Off  
Long touch | > 1s: Dimming from 5%~100%
- ⏻ Short touch | < 1s: On/Off  
Long touch | > 1s: Dimming from 5%~100%
- ⏻ Short touch | < 1s: adjust CCT to cold white nature white, warm white  
Long touch | > 1s: adjust CCT from cold white to warm white
- ⏻ Short touch | < 1s: On/Off
- ⏻ Short touch | < 1s: adjust CCT to cold white nature white, warm white  
Long touch | > 1s: adjust CCT from cold white to warm white
- ⏻ Short touch | < 1s: Dimming level 5%,30%,60%,100%  
Long touch | > 1s: Dimming from 5%~100%



Model No.	Rated supply	Rated load	Thickness of mirror	Ta
SOM-T/SOM-TB	12V	2 x 30W	Less than 5mm is recommended	-20~40°C
	24V	2 x 60W		-20~40°C



## SOM-T1

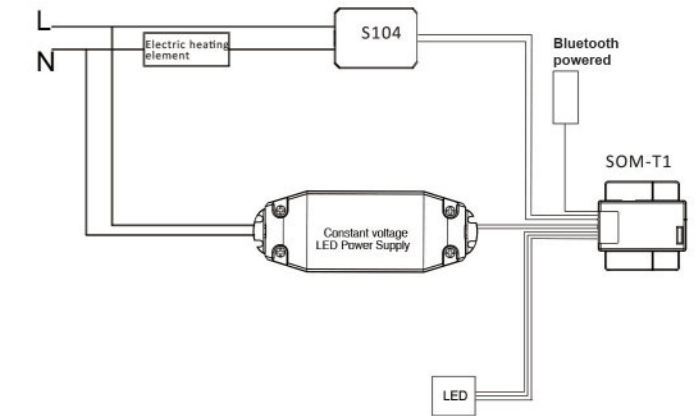
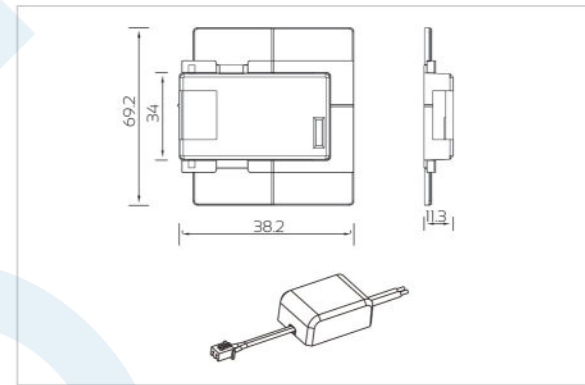


### Reliable Technical Data

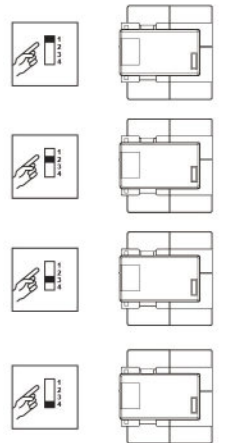
- Touch sensor
- Used behind mirror
- Memory function
- Single key touch



### Dimension in mm



Setting	Touch time	Function	Indicator
1	Touch time<1S	ON/OFF(LED1)	CW
	Touch time>1S	ON/OFF(LED2), power on	WW
2	Touch time<1S	ON/OFF	CW
	Touch time>1S	Dimming from 10%~100% continuously	CW
3	Touch time<1S	ON/OFF	CW(OFF)
	Touch time>1S	Softly and continuously CCT(2%~98%)	WW
4	Touch time<1S	ON/OFF	CW(OFF)
	Touch twice times <2S	Shift between dimming and CCT	Shift between C-W
	Touch time>1S	Dimming from 10%~100% continuously Softly and continuously CCT(2%~98%)	CW WW



Model No.	Rated supply	Rated load	Thickness of mirror	Ta
SOM-T1	12V	2 x 50W	Less than 5mm is recommended	-20~40°C
	24V	2 x 100W		-20~40°C



## 2.4G Remote Control

SRC-2.4G01 **NEW!**

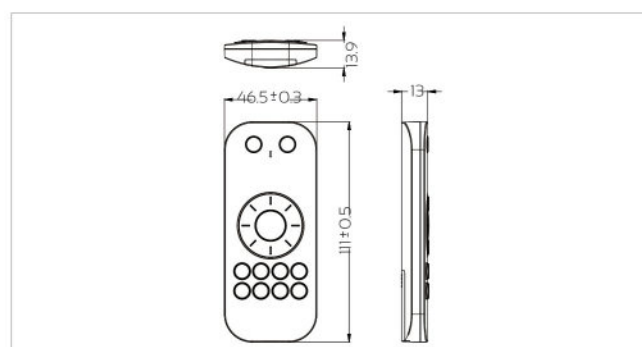


### Reliable Technical Data

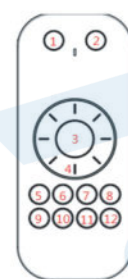
- Suitable for single-color LED controller
- Super Sensitive Ring Brightness Adjuster
- LED light indicator during operation
- Each controller can be paired with one or more remotes
- Powered by CR2032 button battery or equivalent
- 5 years Warranty
- Net weight 60g/pc, gross weight 100g/pc



### Dimension in mm



### Functions



- Key 1 All lights open
- Key 2 All lights off
- Key 3 Channel switch/channel dimming  
Rotate counterclockwise: darken the channel;  
Rotate clockwise: lighten the channel;
- Key 5 Channel 1 on/ off (long press)
- Key 6 Channel 2 on/ off (long press)
- Key 7 Channel 3 on/ off (long press)
- Key 8 Channel 4 on/ off (long press)
- Key 9 Scene 1 on/ sav(long press)
- Key 10 Scene 2 on/ sav(long press)
- Key 11 Scene 3 on/ sav(long press)
- Key 12 Scene 4 on/ sav(long press)

### Indicator status

During the operation, including press the button and rotate the ring, the indicator light is on.  
When the operation is stopped, the indicator light is off.  
If there is no operation after 3S, the remote will be in the sleep mode, and press any key to exit the sleep mode.

### Remote pairing

Users can choose two pairing/delete pairing methods  
1. Use the pairing key (key 5 - key 8)

Pair: Short press the pairing button of the controller, then the LED light flashes 5 seconds and automatically cuts off. Immediately short press one of the pairing keys (key 5-key 8) on the remote, and the LED indicator cuts off which means the successful pairing.  
Delete pairing: Long press the pairing button 5 seconds to delete all pairings. The LED indicator lights up for 1 second which means the pairing is deleted.

2. Use power-on

Pair: Within the first 5 seconds after the controller is powered on, immediately press one of the pairing keys (key 5-key 8) on the remote.  
Delete pairing: Long press the pairing button 5 seconds to delete all pairings. The LED indicator lights up for 1 second which means the pairing is deleted.

Model No.	Output signal	Working Voltage	Ta	Working current	Standby current	L x W x H
SRC-2.4G01	RF (2.4GHz)	3VDC(CR2032)	-30~55℃	≤4mA	≤1uA	111x46.5x13.9



SNP75-2.4G **NEW!**

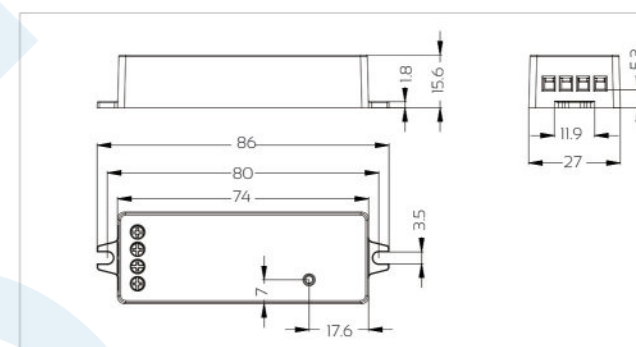


### Reliable Technical Data

- SNP75-2.4G is a 2.4G dimming controller, remote dimming control, can be grouped, divided into scenes and other functions, the input is universally used in the 12-24V power supply range. With overload, over temperature, short circuit protection, suitable for lighting series products.



### Dimension in mm



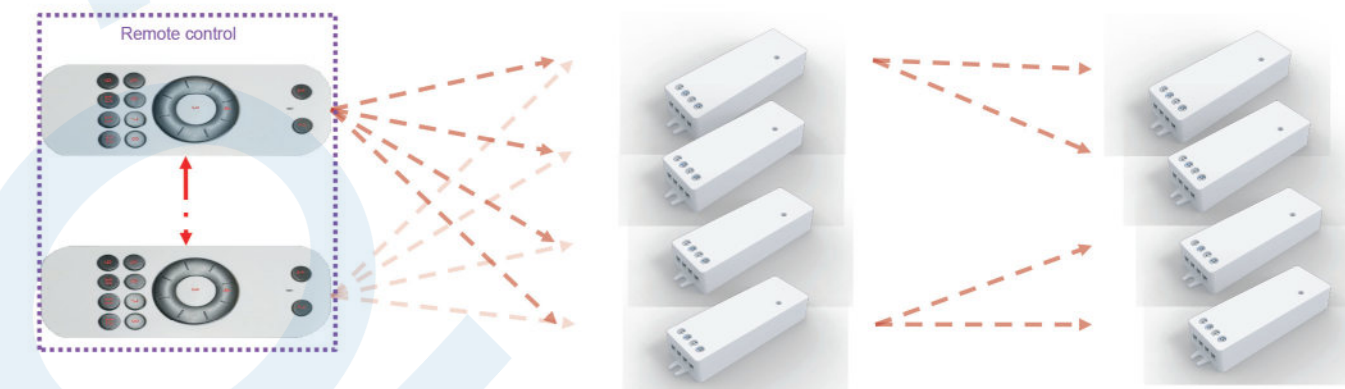
### Remote control pairing

Users can choose two pairing/deleting methods  
1. Use the pairing key (key 5 - key 8)

Pairing: Short press the pairing button of the controller, the LED flashes for 5 seconds and automatically goes off, immediately short press the key 5-key 8 on the remote control, and the LED indicator goes off to indicate successful pairing.  
Delete: Press and hold the controller pairing button for 5 seconds to delete all the pairings. The LED indicator will be on for 1 second to indicate successful deletion

2. Use power-on pairing

Pairing: within the first 5 seconds after the controller is powered on, immediately press the up key 5-key 8 on the remote control.  
Delete: Press and hold the controller pairing button for 5 seconds to delete all the pairings. The LED indicator will be on for 1 second to indicate successful deletion



Model No.	Output signal	Rated input voltage	Rated current	Ta	Tc	Max. distance	L x W x H
SNP75-2.4G	RF (2.4GHz)	DC12-24V	6.25A	-30~55℃	-80℃	≤ 30mm	86x27x5.6



# Regular & Super Slim Series

## IP20 Super Slim Series



## IP20 Super Slim Series

SNP20-VF-1



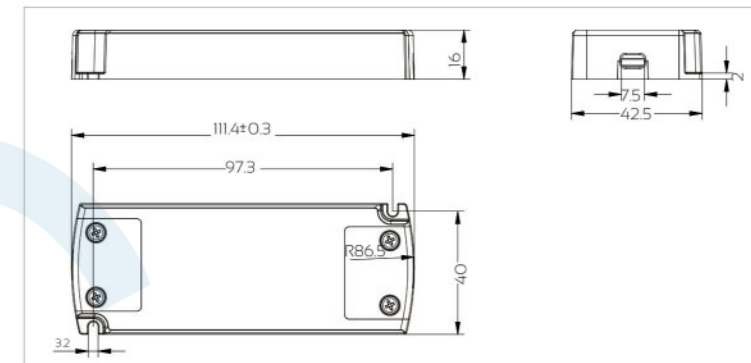
**Super thin 16 mm**  
Thickness only

### Reliable Technical Data

- Input Voltage Range: 180-264VAC
- Input Frequency: 50/60Hz
- Output Power: 20W
- Body: PC
- Open Circuit; Short Circuit; Over Load;
- Safety According to EN61347-1, EN61347-2-13
- EMI According to EN55015
- EMS According to EN61000-3-2; EN61000-3-3; EN61547
- EMF According to EN62493
- ERP According to EN1194-2012



### Dimension in mm



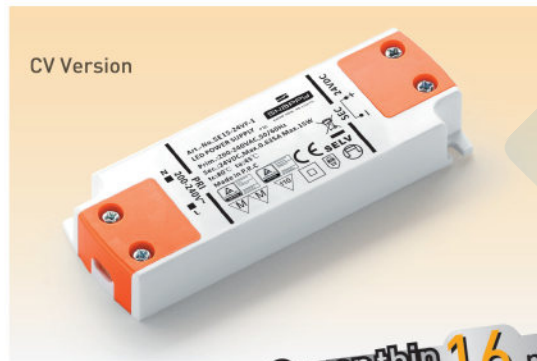
### Characteristics

Input Voltage Range: AC180-264V 50/60Hz (power factor measured at AC230V and full load)

Model No.	Constant output voltage	Load	Max output current	PF	Ta	Tc	L x W x H
SNP20-12VF-1	12V	0-20W	1.67A	≥0.5	45°C	85°C	111.4x40x16
SNP20-24VF-1	24V	0-20W	0.84A	≥0.5	45°C	85°C	111.4x40x16



SE15-VF **NEW!**



**Super thin 16 mm**  
Thickness only

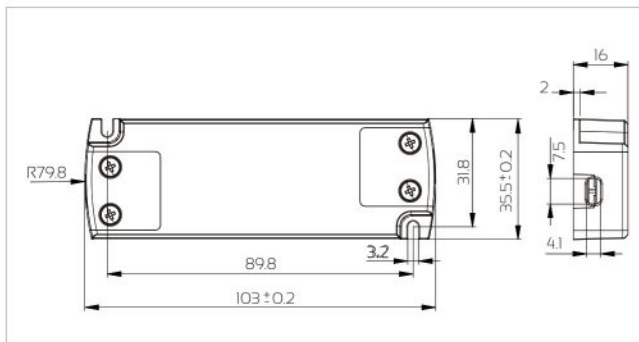
**Reliable Technical Data**

- Input Voltage Range:220-240VAC
- Input Frequency:50/60Hz
- Output Power:15W
- Body: PC
- Open Circuit; Short Circuit; Over Load;
- Safety According to EN61347-1, EN61347-2-13
- EMI According to EN55015
- EMS According to EN61000-3-2; EN61000-3-3; EN61547
- EMF According to EN62493
- ERP According to EN1194-2012

Comply to latest EN IEC 61000-3-2:2019



**Dimension in mm**



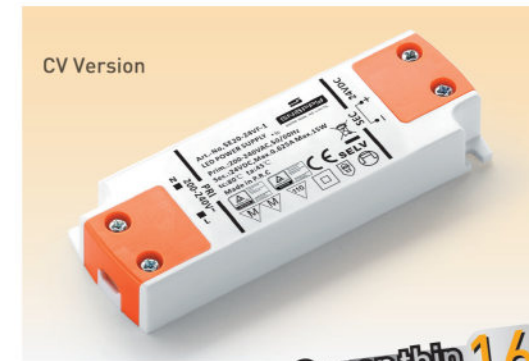
**Characteristics**

Input Voltage Range: AC220-240V 50/60Hz (power factor measured at AC230V and full load)

Model No.	Constant output voltage	Load	Max output current	Ta	Tc	L x W x H
SE15-12VF	12V	0-15W	1.25A	45°C	80°C	103x35.5x16
SE15-24VF	24V	0-15W	0.625A	45°C	80°C	103x35.5x16



SE20-VF **NEW!**



**Super thin 16 mm**  
Thickness only

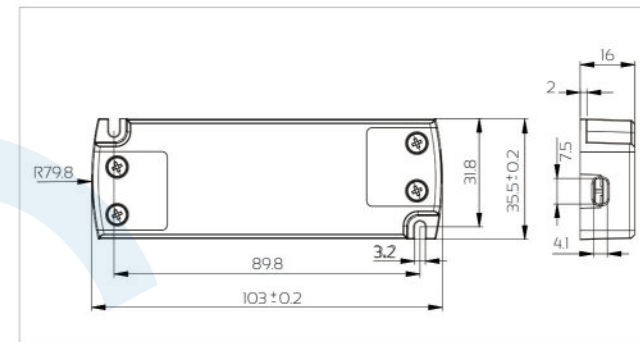
**Reliable Technical Data**

- Input Voltage Range:220-240VAC
- Input Frequency:50/60Hz
- Output Power:20W
- Body: PC
- Open Circuit; Short Circuit; Over Load;
- Safety According to EN61347-1, EN61347-2-13
- EMI According to EN55015
- EMS According to EN61000-3-2; EN61000-3-3; EN61547
- EMF According to EN62493
- ERP According to EN1194-2012

Comply to latest EN IEC 61000-3-2:2019



**Dimension in mm**



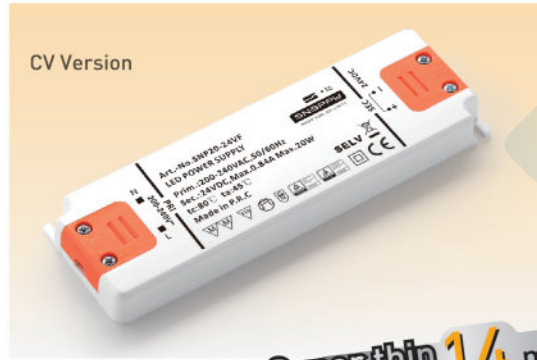
**Characteristics**

Input Voltage Range: AC220-240V 50/60Hz (power factor measured at AC230V and full load)

Model No.	Constant output voltage	Load	Max output current	Ta	Tc	L x W x H
SE20-12VF	12V	0-20W	1.67A	45°C	80°C	103x35.5x16
SE20-24VF	24V	0-20W	0.84A	45°C	80°C	103x35.5x16



SS20-VF



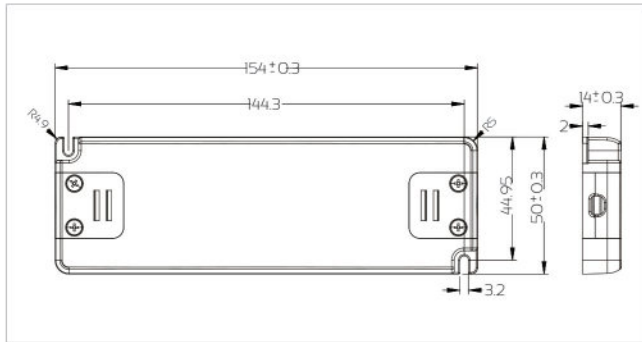
**Super thin 14 mm**  
Thickness only

Reliable Technical Data

- Input Voltage Range:220-240AC
- Input Frequency:50/60Hz
- Output Power:20W
- Body: PC
- Open Circuit; Short Circuit; Over Load;
- Safety According to EN61347-1, EN61347-2-13
- EMI According to EN55015
- EMS According to EN61000-3-2; EN61000-3-3; EN61547
- EMF According to EN62493
- ERP According to EN1194-2012



Dimension in mm



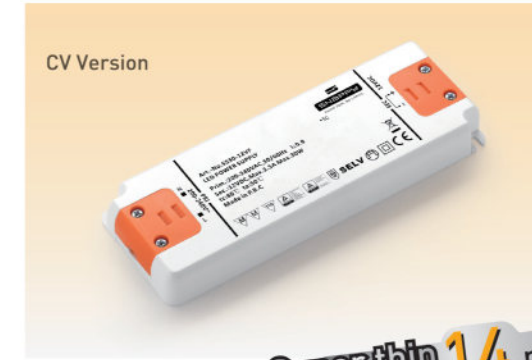
Characteristics

Input Voltage Range: AC220-240V 50/60Hz (power factor measured at AC230V and full load)

Model No.	Constant output voltage	Load	Max output current	PF	Ta	Tc	L x W x H
SS20-12VF	12V	0-20W	1.67A	≥0.5	45°C	80°C	154x50x14
SS20-24VF	24V	0-20W	0.84A	≥0.5	45°C	80°C	154x50x14



SS30-VF



**Super thin 14 mm**  
Thickness only

Reliable Technical Data

- Input Voltage Range:220-240VAC
- Input Frequency:50/60Hz
- Output Power:30W/40W
- Body: PC
- Open Circuit; Short Circuit; Over Load;
- Safety According to EN61347-1, EN61347-2-13
- EMI According to EN55015
- EMS According to EN61000-3-2; EN61000-3-3; EN61547
- EMF According to EN62493
- ERP According to EN1194-2012

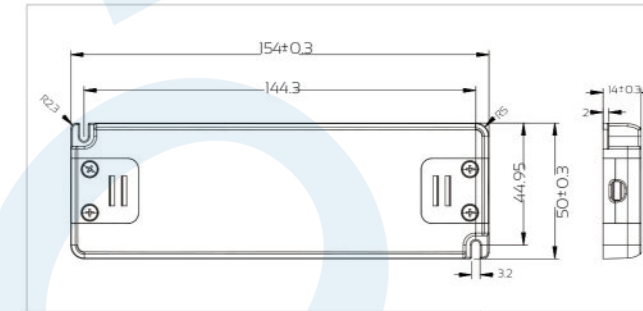


SS40-VF **NEW!**



**Super thin 14 mm**  
Thickness only

Dimension in mm



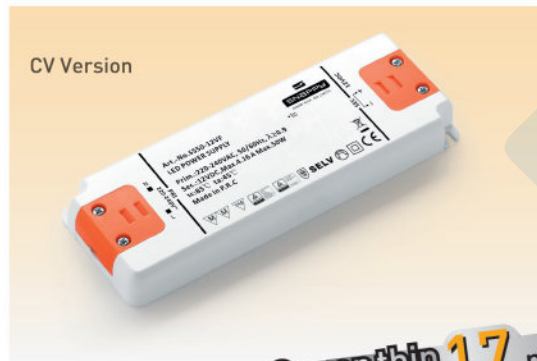
Characteristics

Input Voltage Range: AC220-240V 50/60Hz (power factor measured at AC230V and full load)

Model No.	Constant output voltage	Load	Max output current	PF	Ta	Tc	L x W x H
SS30-12VF	12V	0-30W	2.5A	≥0.9	45°C	80°C	154x50x14
SS30-24VF	24V	0-30W	1.25A	≥0.9	45°C	80°C	154x50x14
SS40-12VF	12V	0-40W	3.33A	≥0.9	45°C	80°C	154x50x14
SS40-24VF	24V	0-40W	1.67A	≥0.9	45°C	80°C	154x50x14



SS50-VF **NEW!**



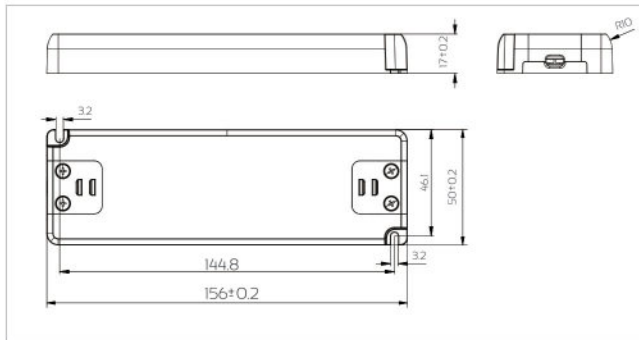
**Super thin 17 mm**  
Thickness only

**Reliable Technical Data**

- Input Voltage Range:220-240VAC
- Input Frequency:50/60Hz
- Output Power:50W
- Body: PC
- Open Circuit; Short Circuit; Over Load;
- Safety According to EN61347-1, EN61347-2-13
- EMI According to EN55015
- EMS According to EN61000-3-2; EN61000-3-3; EN61547
- EMF According to EN62493
- ERP According to EN1194-2012



**Dimension in mm**



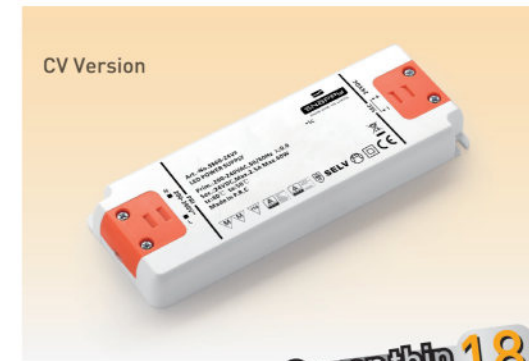
**Characteristics**

Input Voltage Range: AC220-240V 50/60Hz (power factor measured at AC230V and full load)

Model No.	Constant output voltage	Load	Max output current	PF	Ta	Tc	L x W x H
SS50-12VF	12V	0-50W	4.17A	≥0.9	45°C	80°C	156x50x17
SS50-24VF	24V	0-50W	2.08A	≥0.9	45°C	80°C	156x50x17



SS60-VF



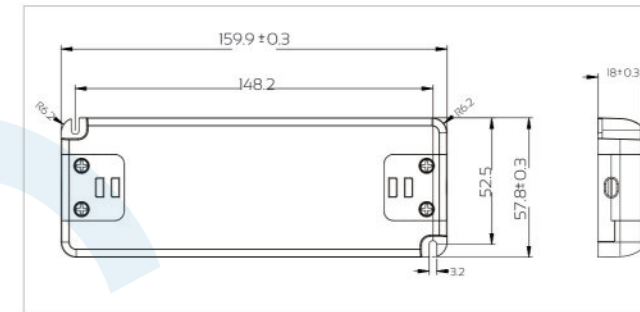
**Super thin 18 mm**  
Thickness only

**Reliable Technical Data**

- Input Voltage Range:220-240VAC
- Input Frequency:50/60Hz
- Output Power:60W
- Body: PC
- Open Circuit; Short Circuit; Over Load;
- Safety According to EN61347-1, EN61347-2-13
- EMI According to EN55015
- EMS According to EN61000-3-2; EN61000-3-3; EN61547
- EMF According to EN62493
- ERP According to EN1194-2012



**Dimension in mm**



**Characteristics**

Input Voltage Range: AC220-240V 50/60Hz (power factor measured at AC230V and full load)

Model No.	Constant output voltage	Load	Max output current	PF	Ta	Tc	L x W x H
SS60-12VF	12V	0-60W	5.0A	≥0.9	45°C	80°C	159.9x57.8x18
SS60-24VF	24V	0-60W	2.5A	≥0.9	45°C	80°C	159.9x57.8x18





SE8-VL

NEW!



CV Version

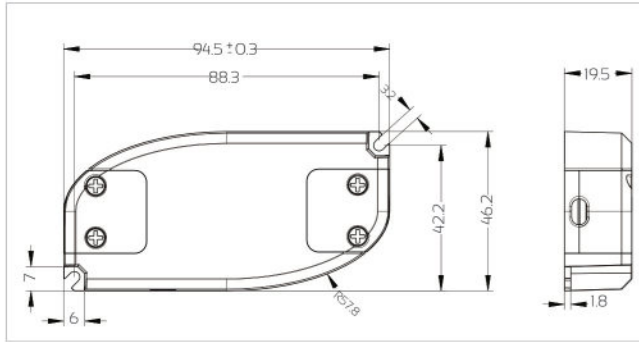
Reliable Technical Data

- Input Voltage Range:220-240VAC
- Input Frequency:50/60Hz
- Output Power:8W
- Body: PC
- Open Circuit; Short Circuit; Over Load;
- Safety According to EN61347-1, EN61347-2-13
- EMI According to EN55015
- EMS According to EN61000-3-2; EN61000-3-3; EN61547
- EMF According to EN62493
- ERP According to EN1194-2012

Comply to latest EN IEC 61000-3-2:2019



Dimension in mm



Characteristics

Input Voltage Range: AC220-240V 50/60Hz (power factor measured at AC230V and full load)

Model No.	Constant output voltage	Load	Max output current	Ta	Tc	L x W x H
SE8-12VL	12V	0-8W	0.67A	45°C	80°C	94.5x46.2x19.5
SE8-24VL	24V	0-8W	0.33A	45°C	80°C	94.5x46.2x19.5



SS20-VL

NEW!



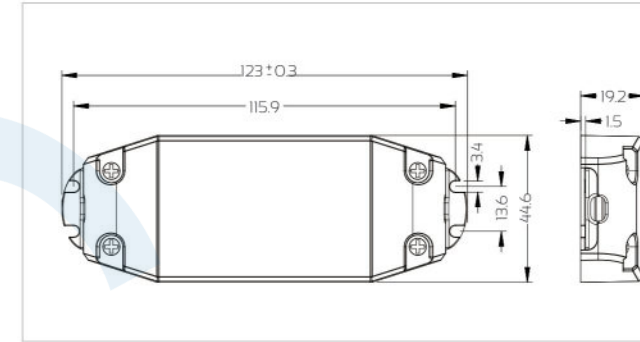
CV Version

Reliable Technical Data

- Input Voltage Range:220-240VAC
- Input Frequency:50/60Hz
- Output Power:20W
- Body: PC
- Open Circuit; Short Circuit; Over Load;
- Safety According to EN61347-1, EN61347-2-13
- EMI According to EN55015
- EMS According to EN61000-3-2; EN61000-3-3; EN61547
- EMF According to EN62493
- ERP According to EN1194-2012



Dimension in mm



Characteristics

Input Voltage Range: AC220-240V 50/60Hz (power factor measured at AC230V and full load)

Model No.	Constant output voltage	Load	Max output current	Ta	Tc	L x W x H
SS20-12VL	12V	0-20W	1.67A	45°C	80°C	123x44.6x19.2
SS20-24VL	24V	0-20W	0.84A	45°C	80°C	123x44.6x19.2



SS30-VL **NEW!**

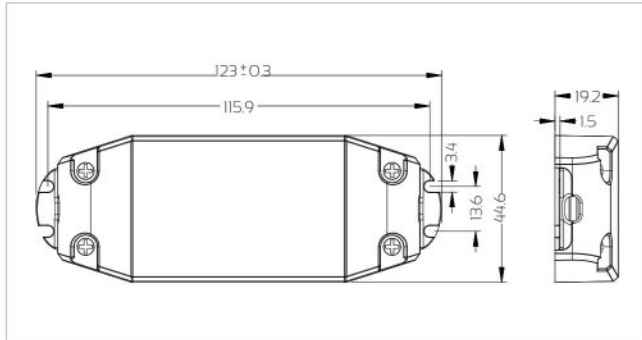


**Reliable Technical Data**

- Input Voltage Range:220-240VAC
- Input Frequency:50/60Hz
- Output Power:30W
- Body: PC
- Open Circuit; Short Circuit; Over Load;
  
- Safety According to EN61347-1, EN61347-2-13
- EMI According to EN55015
- EMS According to EN61000-3-2; EN61000-3-3; EN61547
- EMF According to EN62493
- ERP According to EN1194-2012



**Dimension in mm**



**Characteristics**

Input Voltage Range: AC220-240V 50/60Hz (power factor measured at AC230V and full load)

Model No.	Constant output voltage	Load	Max output current	Ta	Tc	L x W x H
SS30-12VL	12V	0-30W	2.5A	45°C	80°C	123x44.6x19.2
SS30-24VL	24V	0-30W	1.25A	45°C	80°C	123x44.6x19.2



SS40-VL **NEW!**



**Reliable Technical Data**

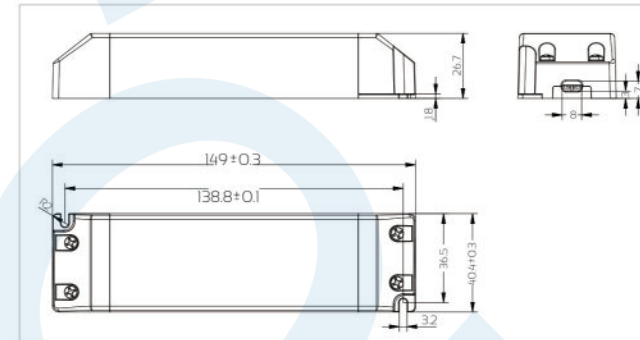
- Input Voltage Range:220-240VAC
- Input Frequency:50/60Hz
- Output Power:40W/50W
- Body: PC
- Open Circuit; Short Circuit; Over Load;
  
- Safety According to EN61347-1, EN61347-2-13
- EMI According to EN55015
- EMS According to EN61000-3-2; EN61000-3-3; EN61547
- EMF According to EN62493
- ERP According to EN1194-2012



SS50-VL **NEW!**



**Dimension in mm**



**Characteristics**

Input Voltage Range: AC220-240V 50/60Hz (power factor measured at AC230V and full load)

Model No.	Constant output voltage	Load	Max output current	Ta	Tc	L x W x H
SS40-12VL	12V	0-40W	3.33A	45°C	80°C	149x40.4x26.7
SS40-24VL	24V	0-40W	1.67A	45°C	80°C	149x40.4x26.7
SS50-12VL	12V	0-50W	4.17A	45°C	80°C	149x40.4x26.7
SS50-24VL	24V	0-50W	2.08A	45°C	80°C	149x40.4x26.7



## SS60-VL NEW!



### Reliable Technical Data

- Input Voltage Range: 220-240VAC
- Input Frequency: 50/60Hz
- Output Power: 60W/75W
- Body: PC
- Open Circuit; Short Circuit; Over Load;

- Safety According to EN61347-1, EN61347-2-13
- EMI According to EN55015
- EMS According to EN61000-3-2; EN61000-3-3; EN61547
- EMF According to EN62493
- ERP According to EN1194-2012



## SS75-VL NEW!



## SS100-VL NEW!



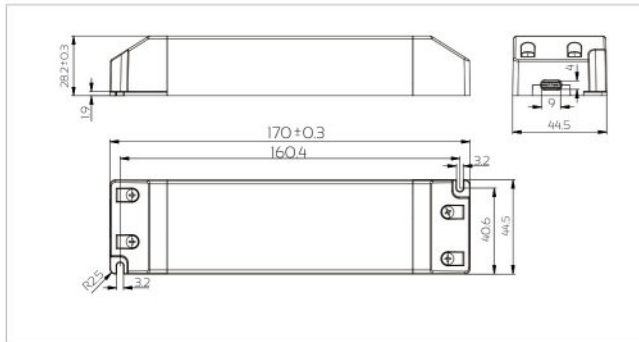
### Reliable Technical Data

- Input Voltage Range: 220-240VAC
- Input Frequency: 50/60Hz
- Output Power: 100W
- Body: PC
- Open Circuit; Short Circuit; Over Load;

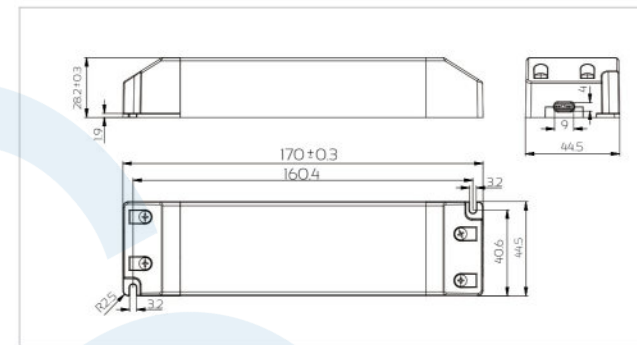
- Safety According to EN61347-1, EN61347-2-13
- EMI According to EN55015
- EMS According to EN61000-3-2; EN61000-3-3; EN61547
- EMF According to EN62493
- ERP According to EN1194-2012



### Dimension in mm



### Dimension in mm



### Characteristics

Input Voltage Range: AC220-240V 50/60Hz (power factor measured at AC230V and full load)

Model No.	Constant output voltage	Load	Max output current	PF	Ta	Tc	L x W x H
SS60-12VL	12V	0-60W	5A	≥0.9	45°C	90°C	170x44.5x28.2
SS60-24VL	24V	0-60W	2.5A	≥0.9	45°C	90°C	170x44.5x28.2
SS75-12VL	12V	0-75W	6.25A	≥0.9	45°C	90°C	170x44.5x28.2
SS75-24VL	24V	0-75W	3.125A	≥0.9	45°C	90°C	170x44.5x28.2

### Characteristics

Input Voltage Range: AC220-240V 50/60Hz (power factor measured at AC230V and full load)

Model No.	Constant output voltage	Load	Max output current	PF	Ta	Tc	L x W x H
SS100-12VL	12V	0-100W	7.5A	≥0.9	45°C	85°C	170x44.5x28.2
SS100-24VL	24V	0-100W	4.17A	≥0.9	45°C	85°C	170x44.5x28.2



# IP20 Regular Series

SS150-VL **NEW!**

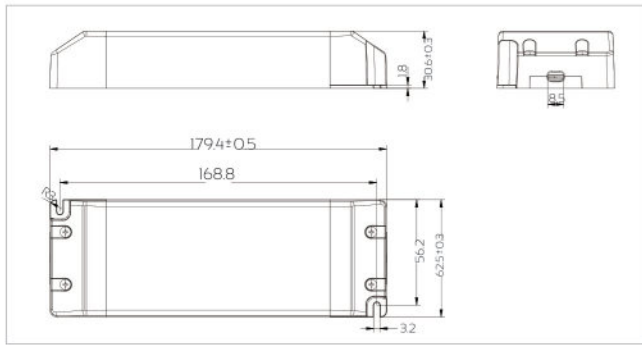


### Reliable Technical Data

- Input Voltage Range: 220-240VAC
- Input Frequency: 50/60Hz
- Output Power: 150W
- Body: PC
- Open Circuit; Short Circuit; Over Load;
- Safety According to EN61347-1, EN61347-2-13
- EMI According to EN55015
- EMS According to EN61000-3-2; EN61000-3-3; EN61547
- EMF According to EN62493
- ERP According to EN1194-2012



### Dimension in mm



### Characteristics

Input Voltage Range: AC220-240V 50/60Hz (power factor measured at AC230V and full load)

Model No.	Constant output voltage	Load	Max output current	PF	Ta	Tc	L x W x H
SS150-12VL	12V	0-132W	11A	≥0.9	45°C	85°C	179.4x62.5x30.6
SS150-24VL	24V	0-150W	6.25A	≥0.9	45°C	85°C	179.4x62.5x30.6



# Triac Dimmable Series (Constant Voltage)



SP100-VLT/SP150-VLT **DIMMABLE**



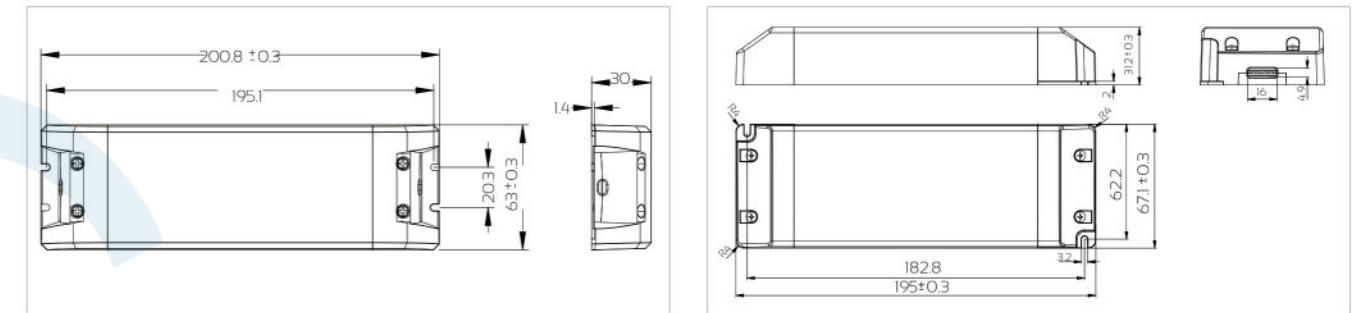
### Reliable Technical Data

- Input Voltage Range: AC220-240VAC
- Input Frequency: 50/60Hz
- Output Power: 100W/150W
- Body: PC
- Open Circuit; Short Circuit; Over Load;
- Over Heat Protection
- Safety According to EN61347-1, EN61347-2-13
- EMI According to EN55015
- EMS According to EN61000-3-2; EN61000-3-3; EN61547
- EMF According to EN62493
- ERP According to EN1194-2012



more triac dimmable drivers [SP10, SP30, SP36, SP50, SP75] see catalogue 2020-1

### Dimension in mm



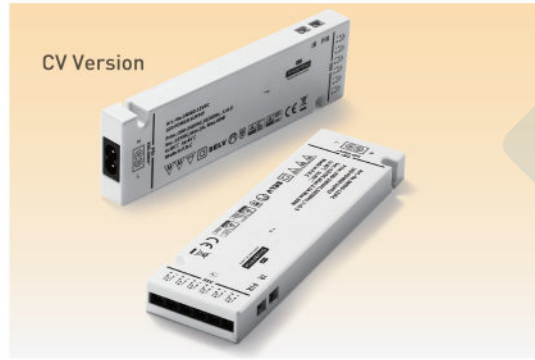
### Characteristics

Input Voltage Range: AC220-240V 50/60Hz (power factor measured at AC230V and full load)

Model No.	Constant output voltage	Load	Max output current	PF	Ta	Tc	L x W x H
SP100-12VLT	12V	24-100W	8.33A	≥0.9	45°C	85°C	200.8x63x30
SP100-24VLT	24V	24-100W	4.17A	≥0.9	45°C	85°C	200.8x63x30
SP150-12VLT	12V	48-132W	11A	≥0.9	45°C	90°C	195x67.1x31.2
SP150-24VLT	24V	48-150W	6.25A	≥0.9	45°C	90°C	195x67.1x31.2



SNP30-VFC/SNP60-VFC/SNP100-VFC  
SNS30-VFC/SNS60-VFC/SNS100-VFC

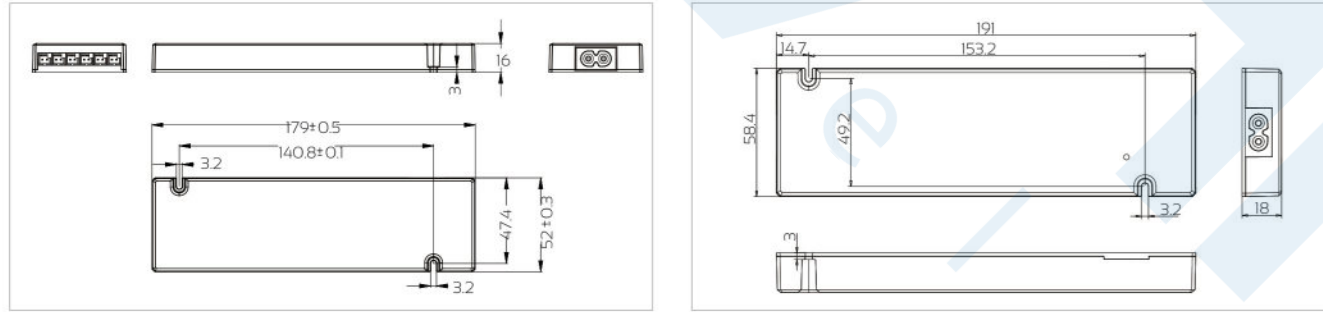


### Reliable Technical Data

- Input Voltage Range: 180-264VAC
- Input Frequency: 50/60Hz
- Output Power: 30W/60W/100W
- Body: PC
- Open Circuit; Short Circuit; Over Load;
- Safety According to EN61347-1, EN61347-2-13
- EMI According to EN55015
- EMS According to EN61000-3-2; EN61000-3-3; EN61547
- EMF According to EN62493
- ERP According to EN1194-2012



### Dimension in mm



### Characteristics

Input Voltage Range: AC180-264V 50/60Hz (power factor measured at AC230V and full load)

Model No.	Constant output voltage	Load	Max output current	PF	Ta	Tc	L x W x H
SNP30-12VFC	12V	0-30W	2.5A	≥0.9	45°C	85°C	179x52x16
SNP30-24VFC	24V	0-30W	1.25A	≥0.9	45°C	85°C	179x52x16
SNS30-12VFC	12V	0-30W	2.5A	≥0.9	45°C	85°C	179x52x16
SNS30-24VFC	24V	0-30W	1.25A	≥0.9	45°C	85°C	179x52x16
IR, PIR sensors optional							
SNP60-12VFC	12V	0-60W	5.0A	≥0.9	45°C	85°C	191x58.4x18
SNP60-24VFC	24V	0-60W	2.5A	≥0.9	45°C	85°C	191x58.4x18
SNS60-12VFC	12V	0-60W	5.0A	≥0.9	45°C	85°C	191x58.4x18
SNS60-24VFC	24V	0-60W	2.5A	≥0.9	45°C	85°C	191x58.4x18
IR, PIR sensors optional							
SNP100-12VFC	12V	0-100W	8.33A	≥0.9	45°C	85°C	191x58.4x18
SNP100-24VFC	24V	0-100W	4.17A	≥0.9	45°C	85°C	191x58.4x18
SNS100-12VFC	12V	0-100W	8.33A	≥0.9	45°C	85°C	191x58.4x18
SNS100-24VFC	24V	0-100W	4.17A	≥0.9	45°C	85°C	191x58.4x18
IR, PIR sensors optional							



SL45-VFC-1(UE)

NEW!

CV Version

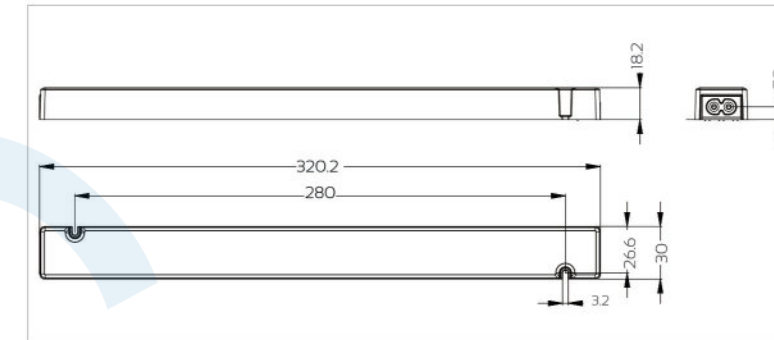


### Reliable Technical Data

- Input Voltage Range: 100-240VAC
- Input Frequency: 50/60Hz
- Output Power: 45W/60W/100W
- Body: PC
- Open Circuit; Short Circuit; Over Load;
- Safety According to EN61347-1, EN61347-2-13
- EMI According to EN55015
- EMS According to EN61000-3-2; EN61000-3-3; EN61547
- EMF According to EN62493
- ERP According to EN1194-2012



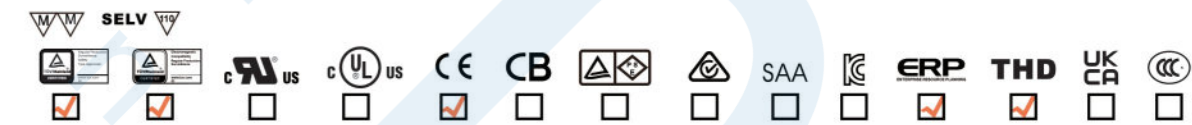
### Dimension in mm



### Characteristics

Input Voltage Range: AC100-240V 50/60Hz (power factor measured at AC230V and full load)

Model No.	Constant output voltage	Load	Max output current	PF	Ta	Tc	L x W x H
SL45-12VFC-1(UE)	12V	0-45W	3.75A	≥0.9	45°C	85°C	251x30x16
SL45-24VFC-1(UE)	24V	0-45W	1.875A	≥0.9	45°C	85°C	251x30x16
SL60-12VFC-1(UE)	12V	0-60W	5.0A	≥0.9	45°C	80°C	304.6x30x16.7
SL60-24VFC-1(UE)	24V	0-60W	2.5A	≥0.9	45°C	80°C	304.6x30x16.7
SL100-12VFC-1(UE)	12V	0-100W	8.33A	≥0.9	45°C	85°C	320.2x30x18.2
SL100-24VFC-1(UE)	24V	0-100W	4.17A	≥0.9	45°C	85°C	320.2x30x18.2



## UL & UE LED Power Supply Series



UL Listed products, Open Circuit; Short Circuit; Over Load, Over Heat Protection.

### SNP20-VL(UL)



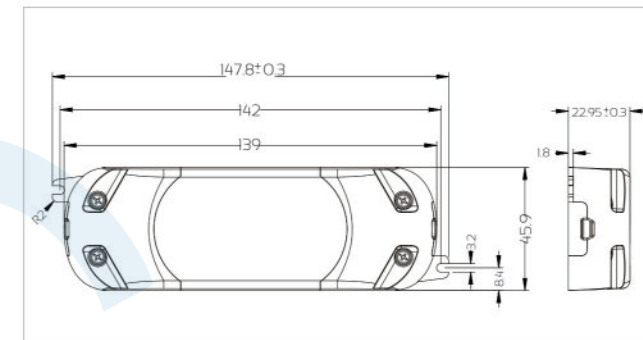
#### Reliable Technical Data

- Input Voltage Range:90-132VAC
- Input Frequency:60Hz
- Output Power:20W
- Body: PC
- Open Circuit; Short Circuit; Over Load;

- Conforms to UL Std. 8750
- FCC PART15 ClassB



#### Dimension in mm



#### Characteristics

Input Voltage Range: AC90-132V 60Hz [power factor measured at AC120V and full load]

Model No.	Constant output voltage	Load	Max output current	PF	Ta	Tc	L x W x H
SNP20-12VL(UL)	12V	0-20W	1.67A	≥0.5	40°C	80°C	147.8x46x23
SNP20-24VL(UL)	24V	0-20W	0.85A	≥0.5	40°C	80°C	147.8x46x23



## SE15-VF(UL)



### Reliable Technical Data

- Input Voltage Range: 90-132VAC
- Input Frequency: 60Hz
- Output Power: 15W
- Body: PC
- Open Circuit; Short Circuit; Over Load;
- Conforms to UL Std. 8750
- FCC PART15 ClassB



## SE30-VF(UL)

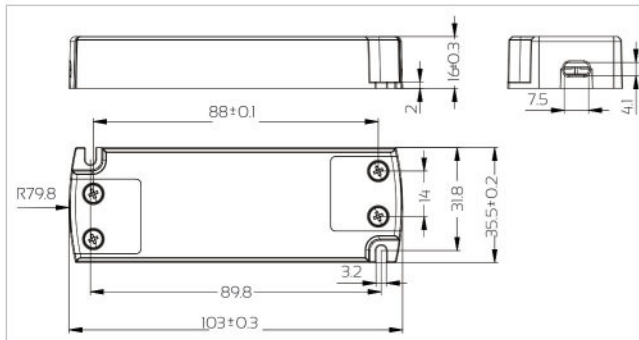


### Reliable Technical Data

- Input Voltage Range: 90-132VAC
- Input Frequency: 60Hz
- Output Power: 30W
- Body: PC
- Open Circuit; Short Circuit; Over Load;
- Conforms to UL Std. 8750
- FCC PART15 ClassB



### Dimension in mm



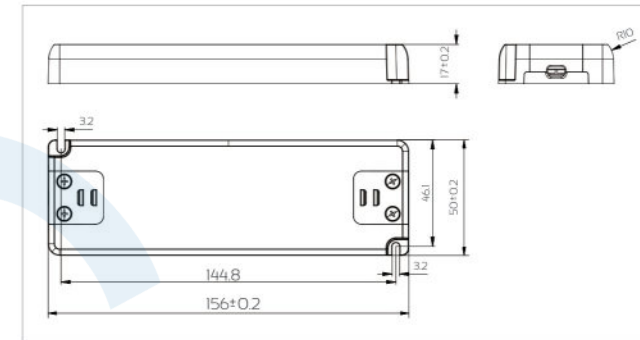
### Characteristics

Input Voltage Range: AC90-132V 60Hz (power factor measured at AC120V and full load)

Model No.	Constant output voltage	Load	Max output current	PF	Ta	Tc	L x W x H
SE15-12VF(UL)	12V	0-15W	1.25A	≥0.5	45°C	80°C	103x35.5x16
SE15-24VF(UL)	24V	0-15W	0.625A	≥0.5	45°C	80°C	103x35.5x16



### Dimension in mm



### Characteristics

Input Voltage Range: AC90-132V 60Hz (power factor measured at AC120V and full load)

Model No.	Constant output voltage	Load	Max output current	PF	Ta	Tc	L x W x H
SE30-12VF(UL)	12V	0-30W	2.5A	≥0.9	45°C	80°C	156x50x17
SE30-24VF(UL)	24V	0-30W	1.25A	≥0.9	45°C	80°C	156x50x17



## SE50-VF(UL)

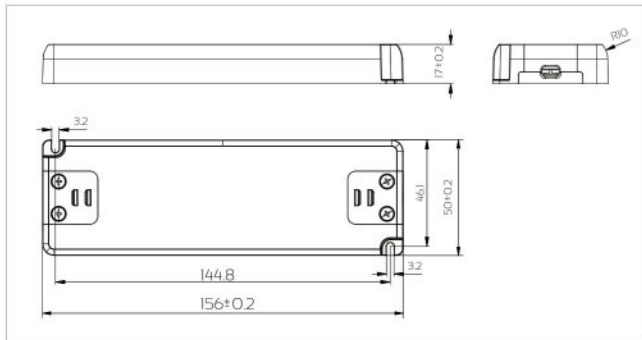


### Reliable Technical Data

- Input Voltage Range:90-132VAC
- Input Frequency:60Hz
- Output Power:50W
- Body: PC
- Open Circuit; Short Circuit; Over Load;
- Conforms to UL Std. 8750
- FCC PART15 ClassB



### Dimension in mm



### Characteristics

Input Voltage Range: AC90-132V 60Hz (power factor measured at AC120V and full load)

Model No.	Constant output voltage	Load	Max output current	PF	Ta	Tc	L x W x H
SE50-12VF(UL)	12V	0-50W	4.17A	≥0.9	45°C	80°C	156x50x17
SE50-24VF(UL)	24V	0-50W	2.08A	≥0.9	45°C	80°C	156x50x17



## SE75-VF(UL)

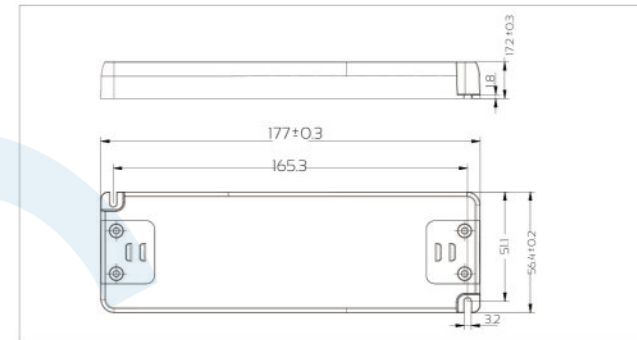


### Reliable Technical Data

- Input Voltage Range:90-132VAC
- Input Frequency:60Hz
- Output Power:75W
- Body: PC
- Open Circuit; Short Circuit; Over Load;
- Conforms to UL Std. 8750
- FCC PART15 ClassB



### Dimension in mm



### Characteristics

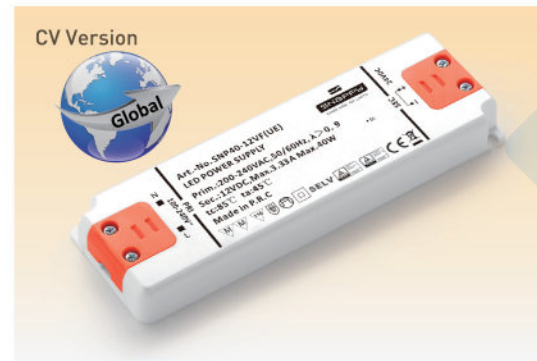
Input Voltage Range: AC90-132V 60Hz (power factor measured at AC120V and full load)

Model No.	Constant output voltage	Load	Max output current	PF	Ta	Tc	L x W x H
SE75-12VF(UL)	12V	0-75W	6.25A	≥0.9	45°C	80°C	177x56.4x17.2
SE75-24VF(UL)	24V	0-75W	3.125A	≥0.9	45°C	80°C	177x56.4x17.2





SNP40-VF(UE)

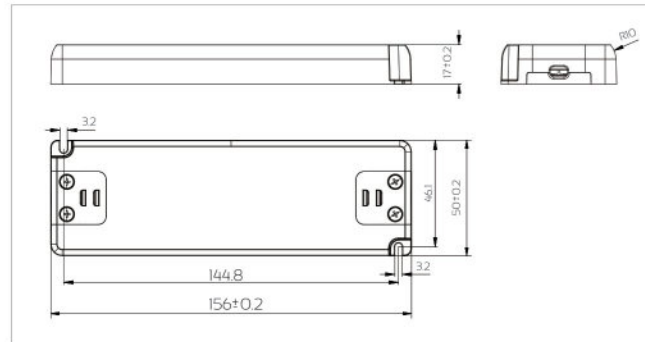


Reliable Technical Data

- Input Voltage Range:90-264VAC
- Input Frequency:50/60Hz
- Output Power:40W
- Body: PC
- Open Circuit; Short Circuit; Over Load;
- Over Heat Protection
- Safety According to EN61347-1, EN61347-2-13
- EMI According to EN55015
- EMS According to EN61000-3-2; EN61000-3-3; EN61547
- EMF According to EN62493
- ERP According to EN1194-2012
- Conforms to UL Std. 8750
- FCC PART15 ClassB



Dimension in mm



Characteristics

Input Voltage Range: AC90-264V 50/60Hz (power factor measured at AC230V and full load)

Model No.	Constant output voltage	Load	Max output current	PF	Ta	Tc	L x W x H
SNP40-12VF(UE)	12V	0-40W	3.33A	≥0.9	50°C	85°C	156x50x17
SNP40-24VF(UE)	24V	0-40W	1.67A	≥0.9	50°C	85°C	156x50x17



SNP60-VF(UE)

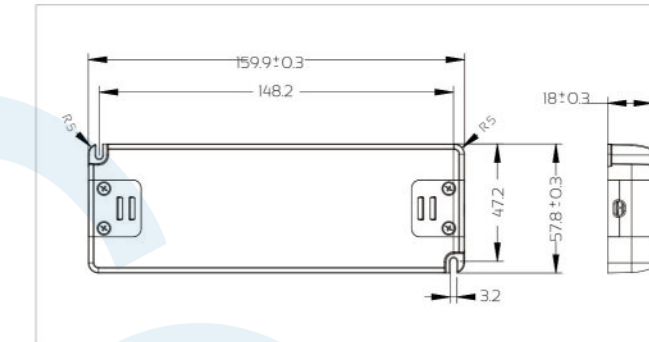


Reliable Technical Data

- Input Voltage Range:90-264VAC
- Input Frequency:50/60Hz
- Output Power:60W
- Body: PC
- Open Circuit; Short Circuit; Over Load;
- Over Heat Protection
- Safety According to EN61347-1, EN61347-2-13
- EMI According to EN55015
- EMS According to EN61000-3-2; EN61000-3-3; EN61547
- EMF According to EN62493
- ERP According to EN1194-2012
- Conforms to UL Std. 8750
- FCC PART15 ClassB



Dimension in mm



Characteristics

Input Voltage Range: AC90-264V 50/60Hz (power factor measured at AC230V and full load)

Model No.	Constant output voltage	Load	Max output current	PF	Ta	Tc	L x W x H
SNP60-12VF(UE)	12V	0-60W	5.0A	≥0.9	50°C	90°C	159.9x57.8x18
SNP60-24VF(UE)	24V	0-60W	2.5A	≥0.9	50°C	90°C	159.9x57.8x18

