

Circulator/Isolator (SMD)

The main function of the circulator is to ensure the signal lossless passes forward, as well as block of the reflected signal via high isolation. And the isolator is a component adding a high-power load or attenuator in the third port of a circulator.



Key Features

DPXXXXC and DPXXXXS series are featured with low power consumption, low intermodulation, high harmonic rejection, excellent impedance matching consistency.

Application

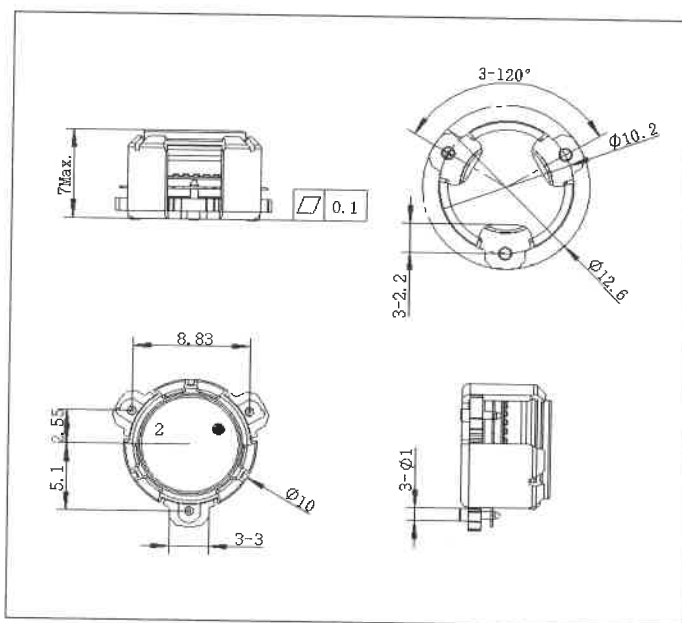
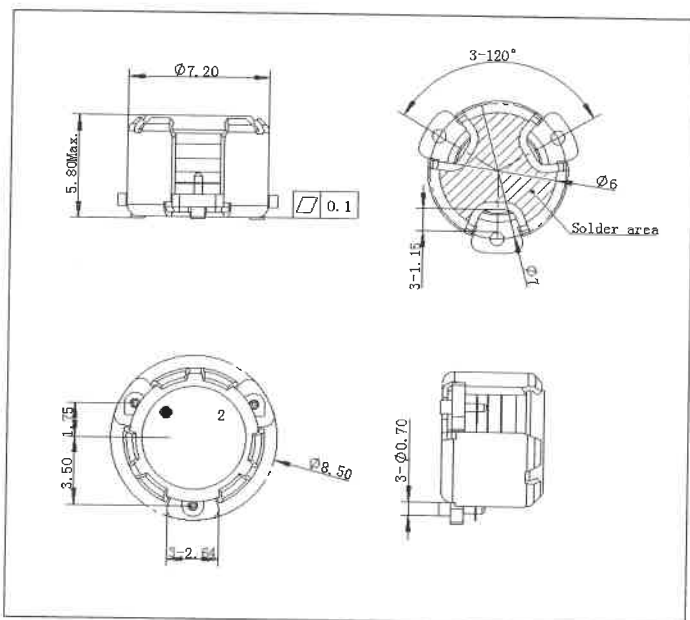
Basestation RRH/RRU/AAU, Small Cell, DAS system, Microwave, Broadcasting, Radar etc.

Circulator/Isolator (SMD)

Product Series	Operating Frequency (MHz)	Dimension (mm)	Power (W)	Return Loss (dB)	Insertion Loss (dB)	Isolation (dB)	Third-order Inter modulation (dBc)
DPxxxxC	100 ~ 10000	Ø7 ~ 35	20 ~ 200	-20 Max.	-0.15 ~ -0.35	-20 Max.	-60 Max.
DPxxxxS	100 ~ 10000	Ø7 ~ 35	20 ~ 200	-20 Max.	-0.15 ~ -0.35	-20 Max.	-60 Max.

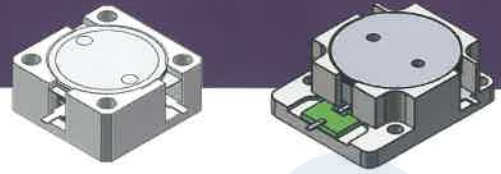
* Customized designs are available

Circulator/Isolator (SMD)



Circulator/Isolator (Drop in)

The main function of the circulator is to ensure the signal lossless passes forward, as well as block of the reflected signal via high isolation. And the isolator is a component adding a high-power load or attenuator in the third port of a circulator.



Key Features

DPXXXXC and DPXXXXS series are featured with low power consumption, low intermodulation, high harmonic rejection, excellent impedance matching consistency.

Application

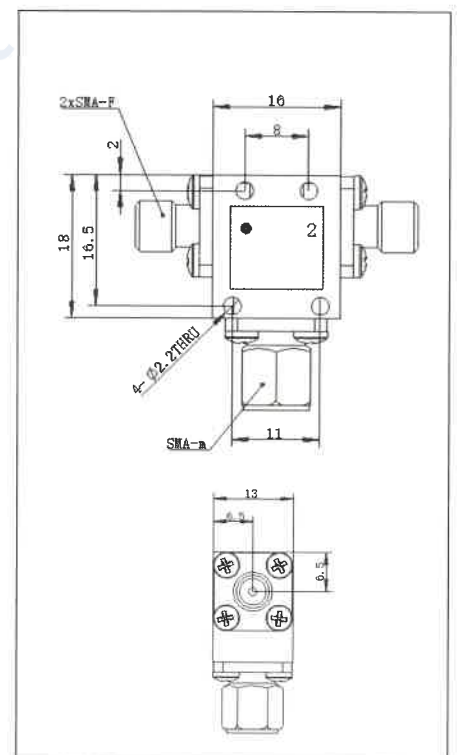
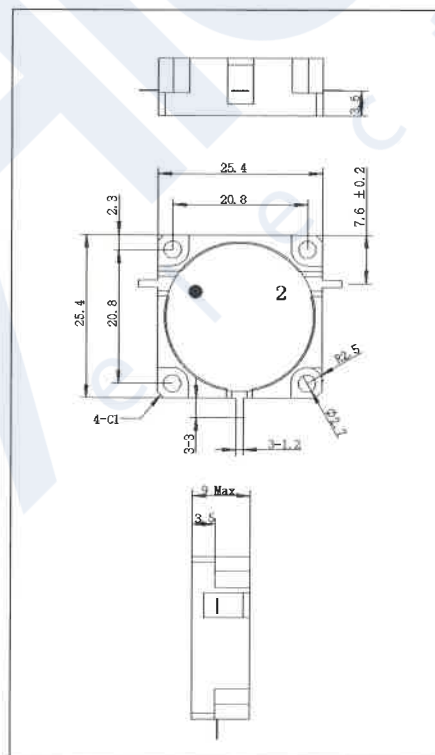
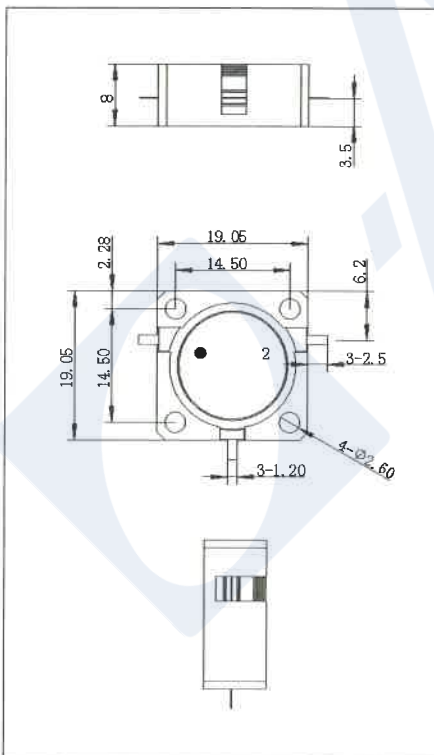
Basestation RRH/RRU/AAU, Small Cell, DAS system, Microwave, Broadcasting, Radar etc.

Circulator/Isolator (Drop in)

Product Series	Operating Frequency (MHz)	Dimension (mm)	Power (W)	Return Loss (dB)	Insertion Loss (dB)	Isolation (dB)	Third-order Inter modulation (dBc)
DPXXXXC	100 ~ 10000	12.7*12.7~88*88	20 ~ 1000	-20 Max.	-0.15 ~ -0.35	-20 Max.	-60 Max.
DPXXXXS	100 ~ 10000	12.7*12.7~88*88	20 ~ 1000	-20 Max.	-0.15 ~ -0.35	-20 Max.	-60 Max.

* Customized designs are available

Package drawing



Low Power Circulator/Isolator

The main function of the circulator is to ensure the signal lossless passes forward, as well as block of the reflected signal via high isolation. And the isolator is a component adding a high-power load or attenuator in the third port of a circulator.



Key Features

Low power consumption, low intermodulation, high harmonic rejection, excellent impedance matching consistency.

Application

Small Cell, DAS system etc.

Low Power Circulator/Isolator (SMT)

Product Series	Operating Frequency (MHz)	Dimension (mm)	Power (W)	Return Loss (dB)	Insertion Loss (dB)	Isolation (dB)	Third-order Inter modulation (dBc)
DP-CLxxxxxxxxxx	430 ~ 5000	7*7/5*5 4*4/3*3	5	-12 Max.	-0.6 ~ -0.8	-12 Max.	-50 Max.
DP-ILxxxxxxxxxx	430 ~ 5000	7*7/5*5 4*4/3*3	5	-12 Max.	-0.6 ~ -0.8	-12 Max.	-50 Max.

* Customized designs are available

Package drawing

