

PPC-Z217RW

Arestech

21.5" IP66/69K Waterproof Stainless Steel 316 5 Wire Resistive Touch Panel PC with kabylake-U Intel® Core™ i3-7100U / i5-7200U Processor



Features

- 21.5"(1920 x1080) LCD Panel with 5 Wire Resistive Touch
- Support Dual Ethernet, 1 USB 3.0, 2 USB 2.0 and 2 COM M12 Connector
- Support Front IP67 USB3.0 and RFID Reader
- Stainless Steel SUS316, Full IP66/69K Waterproof
- Support VESA Mounting and Yoke Mounting

Applications

- Food & Beverage Processing Application
- Hospitality and Catering Service
- Pharmaceutical and Biopharmaceutical Equipment
- Animal Feed Production Facility
- Chemical, Gas & Oil Critical Environment
- Medical Application

→ Packing List

| Description |
|----------------|
| 1 x PPC-Z217RW |

→ Optional Items

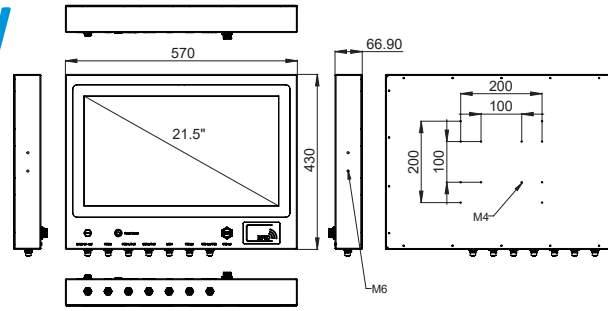
| Part No. | Description |
|---------------|--|
| APW-60M12V-01 | 12V, 60W, 5A, 5-pin M12 Connector (US) |
| APW-60M12V-02 | 12V, 60W, 5A, 5-pin M12 Connector (EU) |
| AKT-USB2M12 | M12 Connector to USB2.0 Cable, 2m |
| AKT-COM2M12 | M12 Connector to DB9 Cable, 2m |
| AKT-LAN2M12 | M12 Connector to LAN Cable, 2m |
| AKT-USB32M12 | M12 Connector to USB3.0 Cable, 2m |

→ Ordering Information

| Part No. | Description |
|------------------|---|
| PPC-Z217RW-B61A1 | 21.5" 16:9 (1920 x 1080), 250nits, Stainless Steel 316 Full IP66/69K Protection, Fanless Panel PC with Intel® Core i5-7200U CPU, 5 Wire Resistive Touch, 4G RAM, 128G SSD, 1 USB 3.0, 2 USB 2.0, 1 RS232, 1 RS-232/422/485, 2 GbE, DC 9-36 V (M12 Connector), 1 IP67 Front USB 3.0, RFID Reader |
| PPC-Z217RW-B62A1 | 21.5" 16:9 (1920 x 1080), 250nits, Stainless Steel 316 Full IP66/69K Protection, Fanless Panel PC with Intel® Core i3-7100U CPU, 5 Wire Resistive Touch, 4G RAM, 128G SSD, 1 USB 3.0, 2 USB 2.0, 1 RS232, 1 RS-232/422/485, 2 GbE, DC 9-36 V (M12 Connector), 1 IP67 Front USB 3.0, RFID Reader |
| PPC-Z217RW-B63A1 | 21.5" 16:9 (1920 x 1080), 250nits, Stainless Steel 316 Full IP66/69K Protection, Fanless Panel PC with Intel® Core i5-7200U CPU, 5 Wire Resistive Touch, 4G RAM, 128G SSD, 1 USB 3.0, 2 USB 2.0, 1 RS232, 1 RS-232/422/485, 2 GbE, DC 9-36 V (M12 Connector), 1 IP67 Front USB 3.0, RFID Reader, with wifi 802.11 a/b/g/n/ac/BT4.0 (2T2R) + 2 IP66 antenna(dual band), miniPCIe Half size |
| PPC-Z217RW-B64A1 | 21.5" 16:9 (1920 x 1080), 250nits, Stainless Steel 316 Full IP66/69K Protection, Fanless Panel PC with Intel® Core i3-7100U CPU, 5 Wire Resistive Touch, 4G RAM, 128G SSD, 1 USB 3.0, 2 USB 2.0, 1 RS232, 1 RS-232/422/485, 2 GbE, DC 9-36 V (M12 Connector), 1 IP67 Front USB 3.0, RFID Reader, with wifi 802.11 a/b/g/n/ac/BT4.0 (2T2R) + 2 IP66 antenna(dual band), miniPCIe Half size |

PPC-Z217RW

→ Dimensions



→ Specifications

| Model | | PPC-Z217RW-B61A1 | PPC-Z217RW-B62A1 | PPC-Z217RW-B63A1 | PPC-Z217RW-B64A1 |
|------------------|---------------------------------|--|---|-------------------------|-------------------------|
| Processor System | CPU | Intel® Core® i5-7200U | Intel® Core® i3-7100U | Intel® Core® i5-7200U | Intel® Core® i3-7100U |
| | Frequency | Duad-Core up to 3.1 GHz | Duad-Core up to 2.4 GHz | Duad-Core up to 3.1 GHz | Duad-Core up to 2.4 GHz |
| | L2 Cache | Intel® Smart Cache 3 MB | | | |
| | System Chipset | N/A | | | |
| | BIOS | UEFI | | | |
| Memory | Technology | DDR4 2133 MHz SDRAM | | | |
| | Max. Capacity | 32 GB | | | |
| | Socket/ (On Board) | 2, (260-pin SO-DIMM) | | | |
| Display | Panel Size | 21.5" LCD Panel | | | |
| | Aspect Ratio | 16:9 | | | |
| | Resolution | 1920 x 1080 (Full HD) | | | |
| | Viewing Angle | 85 x 85 (H) x 80 x 80 (V) | | | |
| | Brightness | 250 (cd/m2) | | | |
| | Contrast Ratio | 1000:1 | | | |
| | VGA / HDMI / DP / DVI | N/A | | | |
| | Multi Display | LCD Panel | | | |
| Touchscreen | Touchscreen Type | 5-wire Resistive Touch | | | |
| | Surface Hardness | 3 Mohs | | | |
| | Durability | 36 millions times | | | |
| | Transparency | 80% (±3%) | | | |
| I/O Interface | USB | 4, 1 USB 3.0 , 2 USB 2.0 (M12 Connector); 1 USB3.0 (IP67 Connector) | | | |
| | Serial Port | 2, COM (1 RS-232, 1 RS-232/422/485), M12 Connector | | | |
| | Digital I/O | N/A | | | |
| | Ethernet | 2, GbE LAN ports (Intel® i219V and Intel® i211AT) | | | |
| | Others | RFID Reader (UID Reader only, CARD TYPE:ISO 18092 Felica, ISO 14443A Mifare® Class, Ultralight), Ferquency: 13.56MHz * Also can option 125 kHz card types supported proximity cards: Cotag, Deister, GProx-II ID, ID Teck Alternate (128 bits), Isonas, NEDAP, and Postech. 13.56 MHz card types supported contactless cards: NFC 1 (Topaz), iCLASS Seos, ISO 14443B, FeliCa (NFC 3), CEPAS, Oyster, Ferquency : 125 kHz and 13.56 MHz (This RFID by option) | | | |
| Expansion | M.2 Slot | 1, M.2 E Key 2230 (USB/ PCIe x1) | | | |
| | miniPCIe | 1, Mini PCIe (Full-size) | wifi 802.11 a/b/g/n/ac/BT4.0 (2T2R) + 2 IP66 antenna(dual band), miniPCIe Half size | | |
| Audio | Connector | N/A | | | |
| Storage | HDD/SSD | 1, Internal 2.5" HDD/SSD | | | |
| | mSATA/ M.2 / eMMC | 1, M.2 M Key 2280 (SATA III / PCIe x4) | | | |
| Power | Power On Model | AT/ATX | | | |
| | Power Supply Voltage | 9-36 V DC input | | | |
| | Connector Type | M12 Connector | | | |
| | Power Consumption(Typical/Max.) | Typical : 3A @ 12V (36W), Max : 3.58A @ 12V (43W) | | | |
| | Battery | CR2032;3.3V | | | |
| Mounting | VESA Mount | 200mm x 200mm; 100mm x 100mm | | | |
| | Panel Mount | N/A | | | |
| | Others | Yoke Mount | | | |
| Environment | Operating Temperature | -20~60° C (-4~140° F) w/ Extended Operation Temp. RAM & SSD | | | |
| | Storage Temperature | -40~85° C (-40~185° F) | | | |
| | Humidity | 5~95% @ 40° C, non-condensing | | | |
| | Vibration | 5-500 Hz, 0.026 G ² /Hz, 2.16 Grms, X, Y, Z, 1 hour per axis | | | |
| | Shock | 20 G, IEC 60068-2-27, half sine, 11 ms duration | | | |
| General | Certification | TBD | | | |
| | Thermal Dissipation | Fanless | | | |
| | Material, Surface Finish | Stainless steel 316, Brush polish | | | |
| | Ingress Protection | Full IP66/IP69K Protection | | | |
| | Dimensions (L x W x H) | 570 x 430 x 66.9 mm (22.44" x 16.93" x 2.63") | | | |
| | Net Weight | 12 kg (26.45 lb) | | | |
| | Operating System | Windows 10 IoT 64Bit, Linux kernal 4.0.x or above | | | |