

Opal8A

8 port smart unmanaged DIN-Rail switches



» Overview

Opal8A unmanaged 8-port switch is specially designed for automation control applications. It is equipped with 8 10/100Base-TX RJ45 ports. Opal8A supports redundant power inputs, metal housing with IP30 protection class, provides both standard (-10 to 60°C) operating temperature range model and wide (-40 to 75°C) operating temperature range models, Support QoS function, meet the requirements of different industrial applications, allocate network bandwidth effectively, ensures a reasonable utilization of resources thus ensuring fast and reliable data transmission in harsh industrial environments.

» Key Features

8 10/100Base-T(X) ports

Both standard and wide operating temperature models are available

Support QoS function

IP30 protection class □

CE, FCC, UL61010, Class I Div 2

» Product Specifications

> Technical Specification

- Technical Parameter

Standard

IEEE 802.3i (10Base-T)

IEEE 802.3u (100Base-TX)

- Switch Properties

MAC Table 16K

Packet Buffer 4Mbit

Packet Forwarding Rate 1.2Mpps

Switching Delay <10 μ s

- Interface

10/100Base-T(X), RJ45 port

- LED

LEDs on Front Panel Power LED: PWR1, PWR2

Interface LED: Link/ACT, Speed (RJ45 port)

- DIP-Switch

Enable/Disable broadcast storm protection

Enable/Disable QoS

- Power Requirements

Power Input: 12-48VDC/18-30VAC

Power Terminal: 4-pin 5.08mm-spacing plug-in terminal block

Power Consumption <3.0W

Overload Protection Support

Reverse Protection Support

Redundancy Protection Support

-Physical Characteristics

Housing Metal

Cooling Natural convection, fanless

Protection Class IP30

Dimension 46mm×115mm×68mm(W×H×D)

Weight 0.25Kg

Mounting DIN-Rail or Panel Mounting

-Environmental Limits

Operating Temperature:

-10°C to +60°C (Opal8A-E)

-40°C to +75°C

Storage Temperature: -40°C to +85°C

Ambient Relative Humidity: 5-95% (non-condensing)

-Quality Assurance

MTBF 4388295h

Warranty 5 years

-Approvals

CE, FCC

EMC: EN 55032, EN 55035, EN 61000-6-4, EN 61000-6-2

UL61010, Class I Div 2

-Industry Standard

EMI

FCC CFR47 Part 15,EN55032/CISPR22,Class A

EMS

IEC61000-4-2(ESD) ±6kV(contact),±8kV(air)

IEC61000-4-3(RS) 10V/m(80MHz ~ 2GHz)

IEC61000-4-4(EFT) Power Port:±2kV;Data Port:±1kV

IEC61000-4-5(Surge)PowerPort:±1kV/DM,±2kV/CM;Data Port:±2kV

IEC61000-4-6(CS) 10V(150kHz ~ 80MHz)

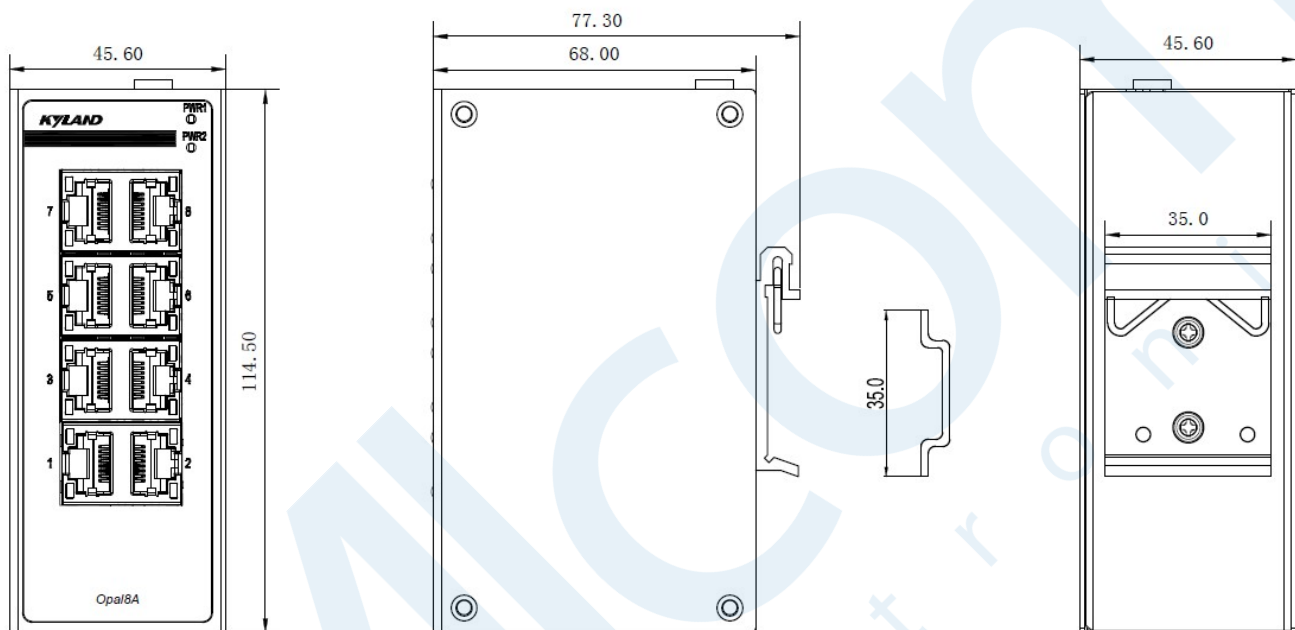
Machinery

IEC60068-2-6 (Vibration)

IEC60068-2-27 (Shock)

IEC60068-2-32 (Free Fall)

» Mechanical Drawing



» Ordering Information

Opal8A-X-Ports-PS	
X	Operating temperature range
E	-10 to +60°C operating temperature
None	-40 to +75°C operating temperature
Ports	
8T	8 10/100Base-T(X) RJ45 ports
PS	
LV-LV	12-48VDC/18-30VAC, redundant power inputs
Accessories	
DT-BGAZ-01	Panel for Panel mounting
DT-FCZ-RJ45-01	Dustproof cover for RJ45 port

Version:2022-02-16 21:02:01