

OFP-15W38

15.6" Full-HD PCAP Multi-Touch Fanless Open Frame Panel PC with 11th Generation Intel® Core™ i3/i5/i7 Processors



Features

- 11th Generation Intel® Core™ i3/i5/i7 Processors
- 2 x 260-pin DDR4 3200 MHz SO-DIMM
- Supports up to 64GB1 x M.2 type B 3042/3052/2242/2260/2280 (with 1 x PCI-e x1 (default) or SATA, USB 3.0 with 1 x SIM card slot, support WWAN+GNSS or NVMe SSD
- 2x GbE LAN, 4 x USB 3.0, line-out, mic-in, 1 x COM, DP++, HDMI/DP
- Option for 4 x COM, 3 x USB2.0
- 16bit GPIO
- TPM 2.0
- Slim & strength design
- Fanless operation from 0° ~ 45°C
- Wide voltage input +12 ~ 24V DC
- Option for Wi-Fi & BT function



+12V ~ +24V



PCAP
multi-touch



Fanless



0°C ~ 40°C

Specifications

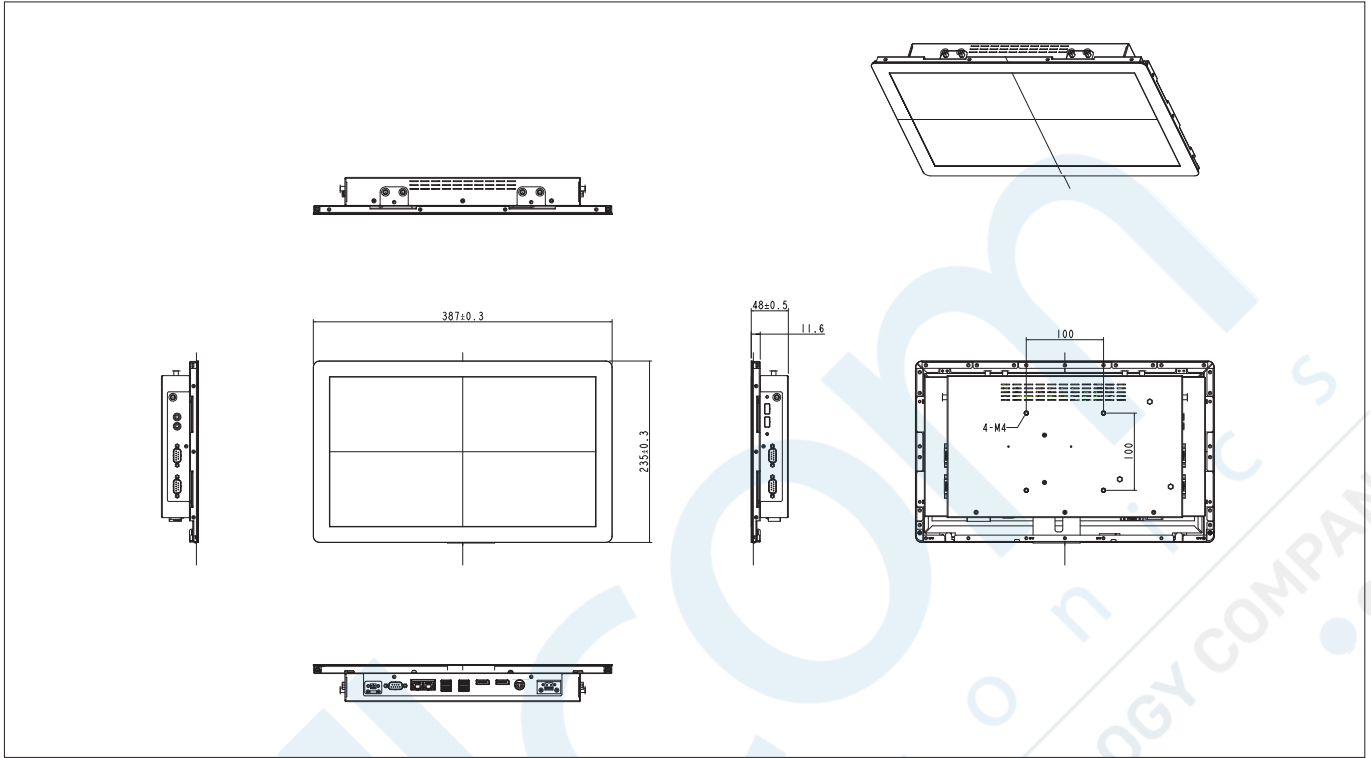
System Information	
Processor	11th Generation Intel® Core™ i3/i5/i7 Processors Intel® Core™ i3-1115G4E Processor, 6M Cache, up to 3.00 GHz Intel® Core™ i5-1145G7E Processor, 8M Cache, up to 2.60 GHz Intel® Core™ i7-1185G7E Processor, 12M Cache, up to 2.80 GHz
System Memory	Default with 4GB DDR4 memory option supports up to 64GB DDR4 3200MHz SO-DIMM
I/O Chipset	EC iTE IT8528
Watchdog Timer	H/W reset: 1sec. ~ 65535sec./min. and 1sec. or 1min./step
BIOS	AMI uEFI BIOS, 256Mbit SPI Flash ROM
H/W Status Monitor	Monitoring system temperature and voltage with auto throttling control
SBC	EMX-TGLP
CPU Cooler (Type)	Fanless heatsink
Other	6 x Antenna mounting with dust cover (reserve)
Expansion	
Expansion	1 x M.2 (2230) E-Key support WiFi module
Storage	
Storage	Default with 128GB M.2 SATA reserve space for 1 x 2.5 SSD (by option)
Other Storage Device	Reserve space for 1 x 2.5 SSD (by option)
Display	
Graphic Chipset	Intel® HD graphics 500
Spec. & Resolution	2 x DP++: 1920 x 1080@60 Hz
Audio	
Audio Codec	Realtek ALC897
Audio Interface	Mic-in, Line-out
Audio Amplifier	2 x Stereo class-D 3W audio amplifier
Ethernet	
LAN Chipset	1 x Intel® I219LM Gigabit Ethernet PHY (LAN1) 1 x Intel® I225LM 2.5 Gigabit Ethernet (LAN2)
Ethernet Interface	Intel® I219LM : 10/100/1000 Base-Tx GbE compatible Intel® I225LM: 10/100/1000/2.5G Base-Tx GbE compatible
Power Requirement	
DC Input	+12V ~ +24V
ACPI	Single power ATX support S0, S3, S4, S5 and ACPI 3.0 compliant
Software Support	
OS	Win10 / Linux

Certification	
Certification Information CE / FCC Class A	
Panel	
LCD Size	15.6", 16:9
Display Type	Full HD
Resolution	1920 x 1080
Pixel Pitch	179.25um (H) x 179.25um (V)
Luminance	220 cd/m ²
Contrast Ratio	800
Viewing Angle	85 (U), 85 (D), 85 (L), 85 (R)
Response Time	30 ms
Backlight	LED
Touch Type	Projective capacitive multi-touch up to 10 points
Touch Light Transmission	89%
Touch Controller	EETI
External I/O	
USB	4 x USB 3.0, 4 x USB 2.0 (option)
LAN Port	2 x RJ-45
COM Port	1 x RS232 (default)/ RS422/485, 4 x RS232 (option, pin9 without power)
Internal I/O	
DIO	16-bit GPIO
System Control	
LED Indicator	HDD LED, power LED
Mechanical & Environmental	
Operating Temp.	0°C ~ 40°C (32°F ~ 104°F)
Storage Temp.	-20°C ~ 60°C (-4°F ~ 140°F)
Operating Humidity	0% ~ 90% Relative humidity, non-condensing
Dimension (W x L x H)	387 x 235 x 48mm
Weight	4.9 Kg
Vibration Test	With M.2 SATA : 1.5Grms, IEC 60068-2-64, random, 5 ~ 500Hz, 0.5hr/axis
Shock Test	Operating with M.2 SATA : IEC 60068-2-27 testing procedures, 10G for operation mode
Drop Test	ISTA 2A, IEC-60068-2-32 Test:Ed
Mounting Kit	Wall / Stand / VESA 75mm x 75mm, 100mm x 100mm
Power Mode	AT/ATX (ATX is default)
System Fan	Fanless

OFP-15W38

15.6" Full-HD PCAP Multi-Touch Fanless Open Frame Panel PC with 11th Generation Intel® Core™ i3/i5/i7 Processors

Mechanical Drawing



Ordering Information

P/N	Touch Type	Processor	Memory	Storage	Resolution	Luminance	COM	USB	LAN	Power Input	Operating Temp.	OS Support
OFP-15W38-630-A1R	PCAP	6305E	Default with 4GB DDR4 memory option supports up to 64GB DDR4 3200MHz SO-DIMM	Default with 128GB M.2 SATA reserve space for 1x 2.5 SSD (by option)	1920 x 1080	220	1	4	2	+12V ~ +24V	0°C ~ 40°C	Win10 / Linux
OFP-15W38-111-A1R	PCAP	Intel® Core™ i3-1115G4E	Default with 4GB DDR4 memory option supports up to 64GB DDR4 3200MHz SO-DIMM	Default with 128GB M.2 SATA reserve space for 1x 2.5 SSD (by option)	1920 x 1080	220	1	4	2	+12V ~ +24V	0°C ~ 40°C	Win10 / Linux
OFP-15W38-114-A1R	PCAP	Intel® Core™ i5-1145G7E	Default with 4GB DDR4 memory option supports up to 64GB DDR4 3200MHz SO-DIMM	Default with 128GB M.2 SATA reserve space for 1x 2.5 SSD (by option)	1920 x 1080	220	1	4	2	+12V ~ +24V	0°C ~ 40°C	Win10 / Linux
OFP-15W38-118-A1R	PCAP	Intel® Core™ i7-1185G7E	Default with 4GB DDR4 memory option supports up to 64GB DDR4 3200MHz SO-DIMM	Default with 128GB M.2 SATA reserve space for 1x 2.5 SSD (by option)	1920 x 1080	220	1	4	2	+12V ~ +24V	0°C ~ 40°C	Win10 / Linux

Packing List

Item	P/N	Quantity
M4 x 4mm Screw for VESA	ACC-SCREW-0001R	4

Optional Items

Item	P/N
AC/DC adapter 24V/3.75A PWR DIN Plug	ACC-ADP-090N-06R
USA Power Cord	E1702031835R
EU Power Cord	E170203183DR
Japan Power Cord	E170203183BR
UK Power Cord	E170203183ER
Australia Power Cord	E1702031800R

I/O Overview

