

# MP6630H/MP6630

16V/5.5V, 3-Phase BLDC Fan Driver with Integrated Hall Sensor

## Key Features

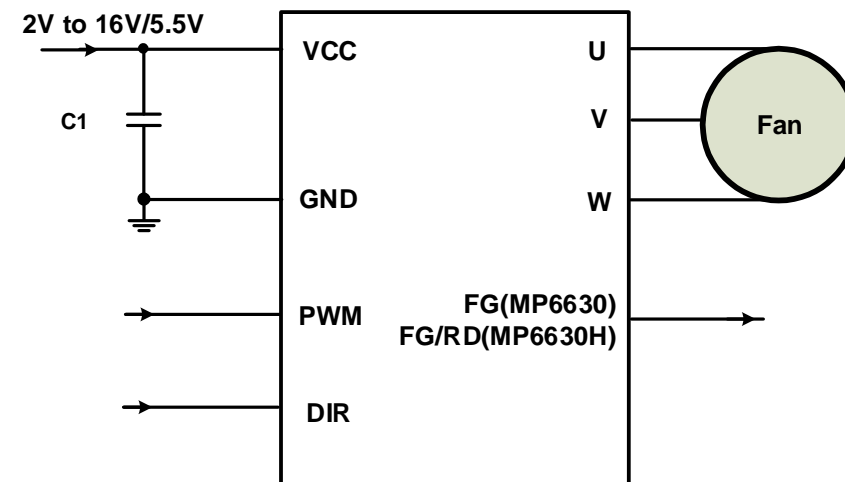
- MP6630H: 2V to 16V  $V_{IN}$
- MP6630: 2V to 5.5V  $V_{IN}$
- Quasi-FOC Sine-Wave Control
- Embedded Hall Sensor
- Integrated Power MOSFETs
- 1x FG Output
- Lock Indication RD (MP6630H)
- Standby Mode to Save Power, Thermal Protection, and Auto-Recovery

## Applications

- Notebook Cooling Fans
- Notebook External Fans
- Stellar Cooling Fans
- Axial Fans

## Why Buy?

- Integrated Hall Sensor and Power MOSFETs Enable Fewer External Components
- Sine Wave Control for Higher Efficiency and Reduced Audible Noise
- UTQNF-8 (2mmx3mm) Package Enables Smaller PCB



Available in a UTQNF-8 (2mmx3mm) Package

