

MP6619

5.4V to 28V, 5A H-Bridge Motor Driver

Key Features

- 5.4V to 28V V_{IN}
- 5A Peak Output Current
- $R_{DS(ON)}$: 65m Ω per Half-bridge MOSFET
- Cycle-by-Cycle Current Limiting
- 100% Duty Cycle Operation
- Fault Indication Output

Applications

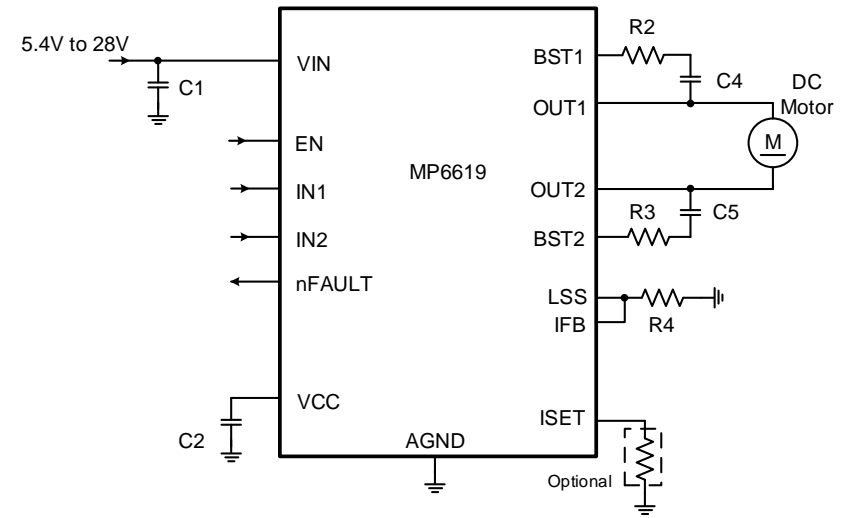
- Solenoids
- Actuators
- DC Motors
- Current Regulators

Why Buy?

- Lower $R_{DS(ON)}$ than Competitors for Better Thermal Performance at High Current
- Smaller Package and PCB Size than Competitors

Market

- Printers
- Coffee Machines
- Vending Machines
- Cabinet / Door / Gate Openers



Available in a QFN-19 (3mmx3mm) Package

