

# MP6604A/B/C

## 4.5V to 45V, 2.5A, Dual H-Bridge Motor Drivers

### Key Features

- 4.5V to 45V Input Voltage ( $V_{IN}$ ) Range
- 2.5A Maximum Output Current ( $I_{OUT\_MAX}$ )
- 150m $\Omega$   $R_{DS(ON)}$  per MOSFET
- Different Control Interfaces Include:
  - MP6604A: IN/EN
  - MP6604B: PHASE/ENABLE/BRAKE
  - MP6604C: HS/LS
- Robust Protections: UVLO, OCP, OVP, SCP, OTP, and Fault Indication

### Applications

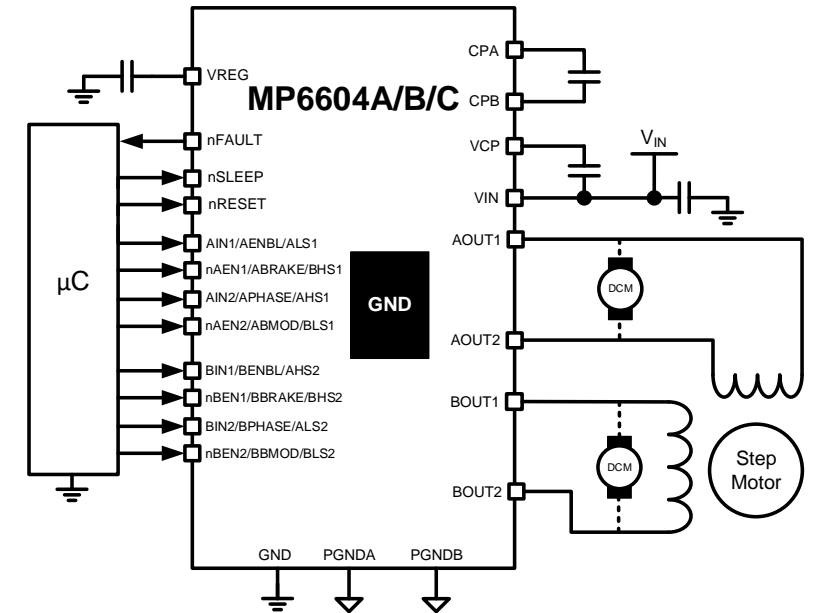
- Bipolar Stepper Motors
- Brushed DC Motor Drivers

### Why Buy?

- Lower  $R_{DS(ON)}$  (150m $\Omega$  per MOSFET) than Competitors (200m $\Omega$  per MOSFET) for Improved Thermal Performance
- More Input Control Modes Available than Competitors for More Flexible Applications
- Smaller Package (4mmx5mm) than Competitors (5mmx5mm) for Smaller PCB Size

### Market

- Stage Lighting
- High-End Security Cameras
- Home Appliances Including Printers, Coffee Machines, etc.



Available in QFN-28 (4mm x 5mm) and TSSOP28 EP Packages

