

MP6602

35V, 4A, Stepper Motor Driver with Stall Detection and Serial Interface

Key Features

- 4.5V to 35V Supply Voltage Range
- 4A Maximum Output Current (I_{OUT})
- $R_{DS(ON)}$: HS = 60m Ω , LS = 30m Ω
- Internal Current Sensing and Regulation
- Serial Control Interface
- Automatic Current Holding and Current Decay
- Rotor Stall Detection
- Back EMF Measurement

Applications

- Bipolar Stepper Motors

MPS

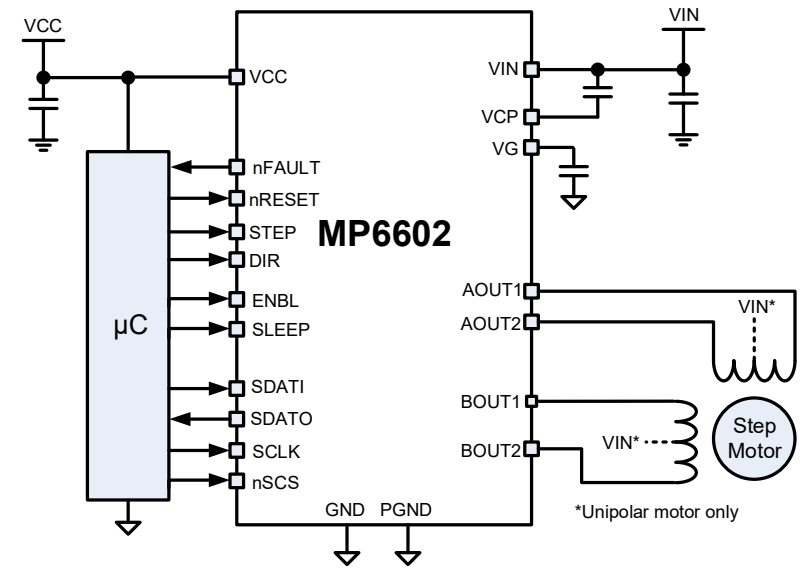
For Customer and Distributor Use Only

Why Buy?

- Lower $R_{DS(ON)}$ (60m Ω for HS-FET and 30m Ω LS-FET) than Competitors (HS + LS > 200m Ω) for Improved Output Current Capability and Thermal Performance
- Internal Current Measurement for Lower BOM Cost
- Rotor Stall Detection and Back EMF Measurement Improves System Reliability Compared to Competitors

Market

- Robotics
- ATM Machines
- Textile Machines
- 3D Printers, Laser Printers & Copiers



Available in a QFN-25 (4mmx5mm) Package



Alcom
electronics

Singel 3 | B-2550 Kontich | Belgium | Tel. +32 (0)3 458 30 33
info@alcom.be | www.alcom.be
Rivium 1e straat 52 | 2909 LE Capelle aan den IJssel | The Netherlands
Tel. +31 (0)10 288 25 00 | info@alcom.nl | www.alcom.nl