

MP2797

7 to 16-cell High-Accuracy Battery Monitor and Protector with Coulomb Counting

Key Features

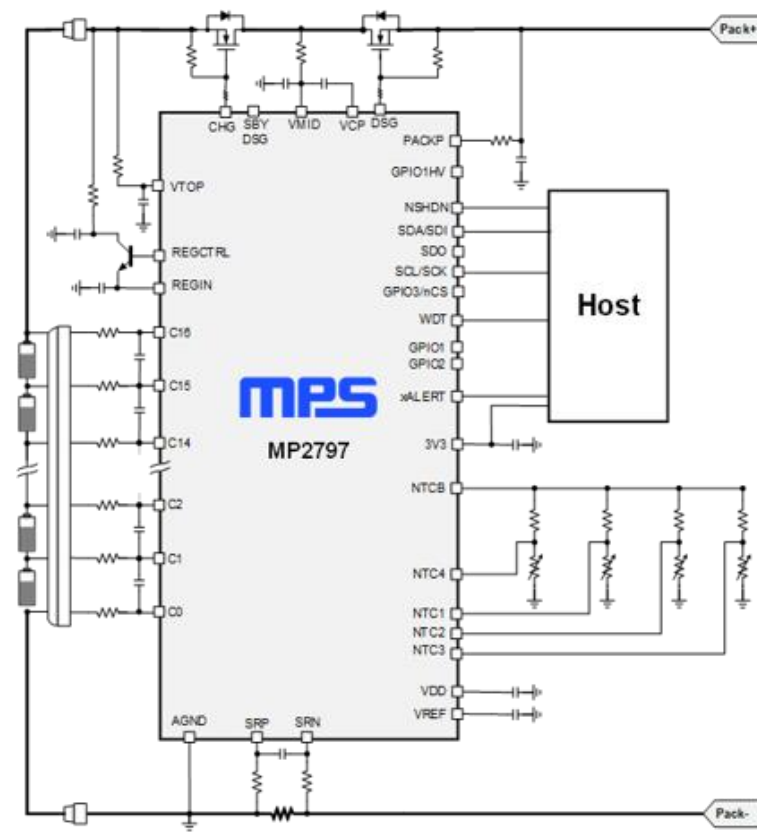
- Voltage Measurements for 7 to 16 Series Cells
- 4 NTCs and die temperature measurements
- Internal balancing current up to 58mA
- 3.3V Regulated output, up to 50mA
- Integrates High Side N-FET driver
- 1 x High Voltage and 2 x Low Voltage GPIOs
- I2C or SPI communication with CRC option

Applications

- Energy Storage System (ESS)
- E-bike, E-scooter
- Power and Gardening Tools
- Battery Backup and UPS

Why Buy?

- High Accuracy: $\pm 5\text{mV}@25^\circ\text{C}$, $\pm 7.5\text{mV}@-20^\circ\text{C}\sim 65^\circ\text{C}$
- Soft-start function to eliminate pre-discharge circuit
- High integrated passive balance current, 58mA



TQFP-48 (7mmx7mm) Package



MP2791

7 to 14-Cell High-Accuracy Battery Monitor and Protector with Coulomb Counting

Key Features

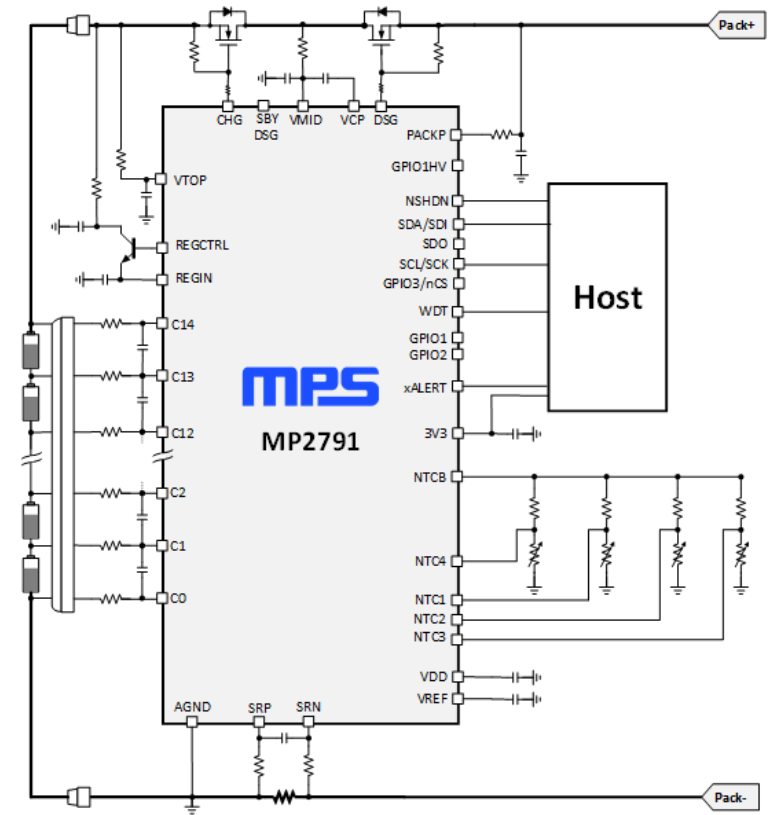
- Voltage Measurements for 7 to 14 Series Cells
- 4 NTCs and die temperature measurements
- Internal balancing current up to 58mA
- External balancing with transistor or MOSFET can support higher current
- 3.3V Regulated output, up to 50mA
- < 1uA in shutdown mode with 3.3V LDO disabled
- 1 x High Voltage and 2 x Low Voltage GPIOs
- I2C or SPI communication with CRC option

Applications

- E-bike, E-balancing bike
- Outdoor Energy Storage Systems

Why Buy?

- High Accuracy: $\pm 5\text{mV}@25^\circ\text{C}$, $\pm 7.5\text{mV}@-20^\circ\text{C}\sim 65^\circ\text{C}$
- Soft-start function to eliminate pre-discharge circuit
- High integrated passive balance current, 58mA



TQFP-48 (7mmx7mm) Package

MP2796

7 to 16-Cell High-Accuracy Battery Monitor and Protector

Key Features

- Voltage Measurements for 7 to 16 Series Cells
- Current Measurements with Accuracy: $\pm 1.5\%$ (-40° to 85° C, $\pm 100\text{mV}$ Sense Range)
- 4 NTCs and die temperature measurements
- Internal balancing current up to 58mA
- External balancing with transistor or MOSFET can support higher current
- 3.3V Regulated output, up to 50mA
- $< 1\mu\text{A}$ quiescent current at shutdown mode with 3.3V LDO turned off
- 2 x Low Voltage GPIOs
- I2C or SPI communication with CRC option

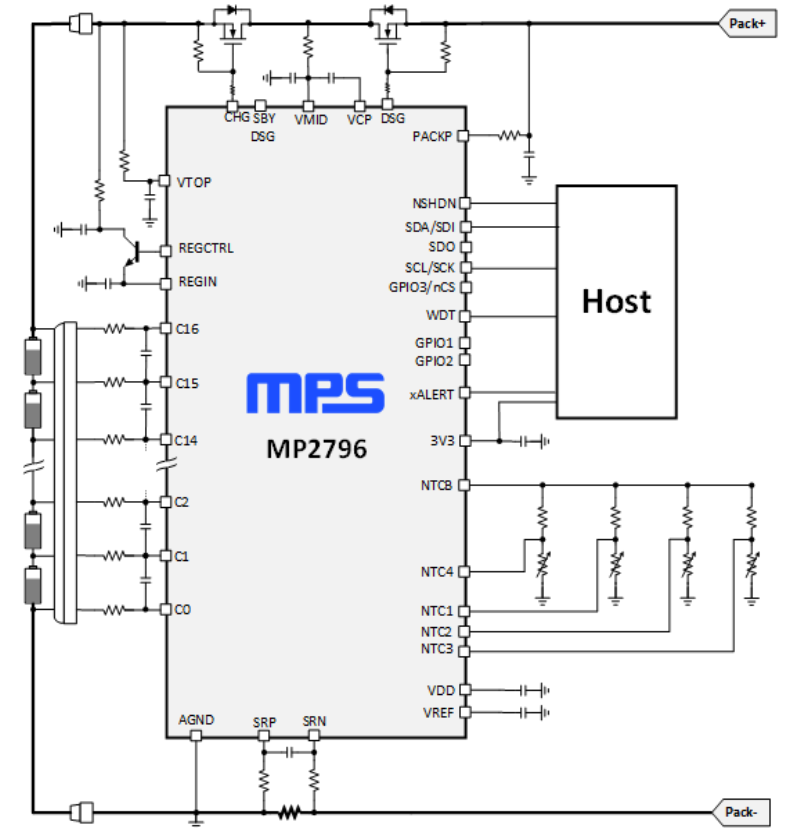
Applications

- E-bike, E-scooter
- Outdoor Energy Storage Systems

For Customer and Distributor Use Only

Why Buy?

- Soft-start function to eliminate pre-discharge circuit
- High integrated passive balance current, 58mA



TQFP-48 (7mmx7mm) Package



MP2787

7 to 16-Cell High-Accuracy Battery Monitor with Coulomb Counting

Key Features

- Voltage Measurements for 7 to 16 Series Cells
- 4 NTCs and die temperature measurements
- Internal balancing current up to 58mA
- External balancing with transistor or MOSFET can support higher current
- 3.3V Regulated output, up to 50mA
- < 1uA quiescent current at shutdown mode with 3.3V LDO turned off
- 1 x High Voltage and 2 x Low Voltage GPIOs
- Support Random Cell connection
- I2C or SPI communication with CRC option

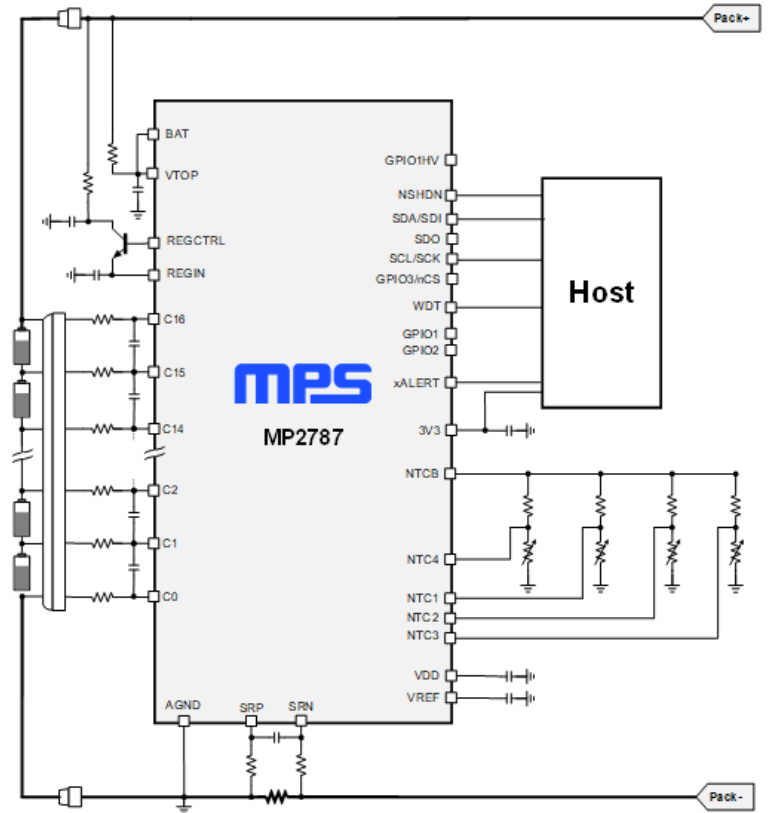
Applications

- Energy Storage System (ESS)
- Power and Gardening Tools
- Battery Backup and UPS

For Customer and Distributor Use Only

Why Buy?

- High Accuracy: $\pm 5\text{mV}@25^\circ\text{C}$, $\pm 7.5\text{mV}@-20^\circ\text{C}\sim 65^\circ\text{C}$
- High integrated passive balance current, 58mA



TQFP-48 (7mmx7mm) Package



MP2790

7 to 10-Cell High-Accuracy Battery Monitor and Protector with Coulomb Counting

Key Features

- Voltage Measurements for 7 to 10 Series Cells
- Current Measurements with Accuracy: $\pm 1.5\%$ (-40° to 85° C, $\pm 100\text{mV}$ Sense Range)
- 3 NTCs and die temperature measurements
- Internal balancing current up to 58mA
- External balancing with transistor or MOSFET can support higher current
- 3.3V Regulated output, up to 50mA
- $< 1\mu\text{A}$ quiescent current at shutdown mode with 3.3V LDO turned off
- 2 x Low Voltage GPIOs

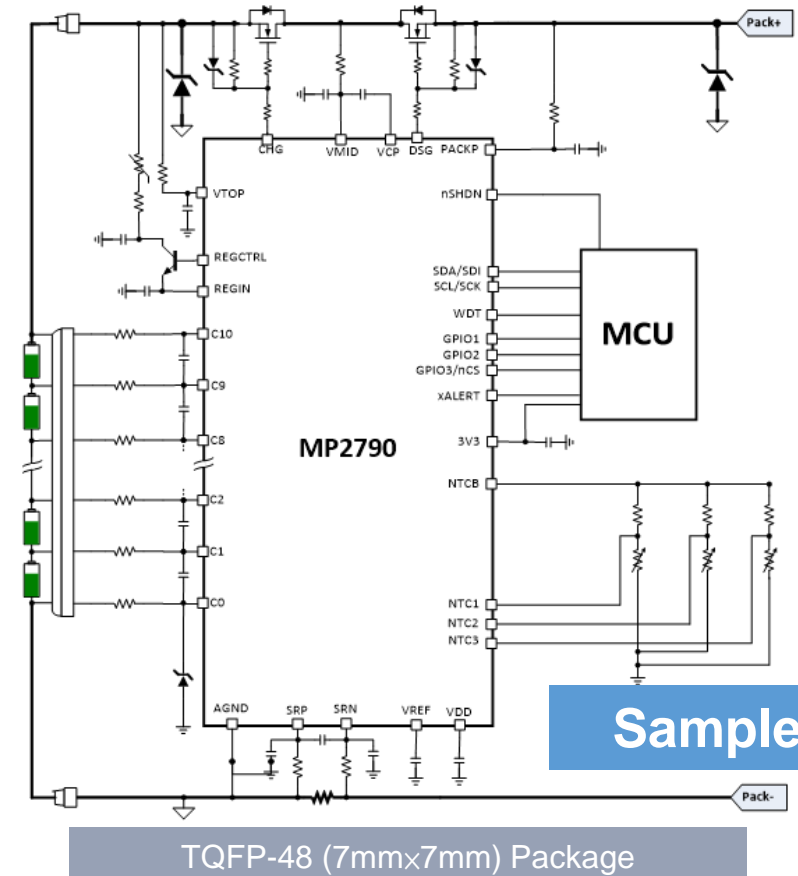
Applications

- E-balancing bike
- Outdoor Energy Storage Systems

For Customer and Distributor Use Only

Why Buy?

- High Accuracy: $\pm 5\text{mV}@25^{\circ}$ C, $\pm 7.5\text{mV}@-20^{\circ}$ C~ 65° C
- Soft-start function to eliminate pre-discharge circuit
- High integrated passive balance current, 58mA



MPS

Alcom
electronics

Singel 3 | B-2550 Kontich | Belgium | Tel. +32 (0)3 458 30 33
info@alcom.be | www.alcom.be
Rivium 1e straat 52 | 2909 LE Capelle aan den IJssel | The Netherlands
Tel. +31 (0)10 288 25 00 | info@alcom.nl | www.alcom.nl