

# MP2723A

3A, I<sup>2</sup>C Buck Charger with NVDC, USB OTG, & Enhanced ADC

## Key Features

- 3.7V to 5.5V Operating Input Voltage ( $V_{IN}$ ) Range
- Up to 22V Sustainable Voltage
- High Battery Discharge Efficiency with 14m $\Omega$  BATFET up to 8.5A
- NVDC Power Path Management
- Integrated ADC for  $V_{IN}$ ,  $I_{IN}$ ,  $V_{BATT}$ ,  $V_{SYS}$ ,  $I_{CHG}$ , and  $V_{NTC}$
- 13 $\mu$ A Low Battery Leakage Current in Shipping Mode

## Applications

- Point-of-Sale (POS) Systems
- Wireless Cameras and Speakers
- Smartphones
- Tablet PCs

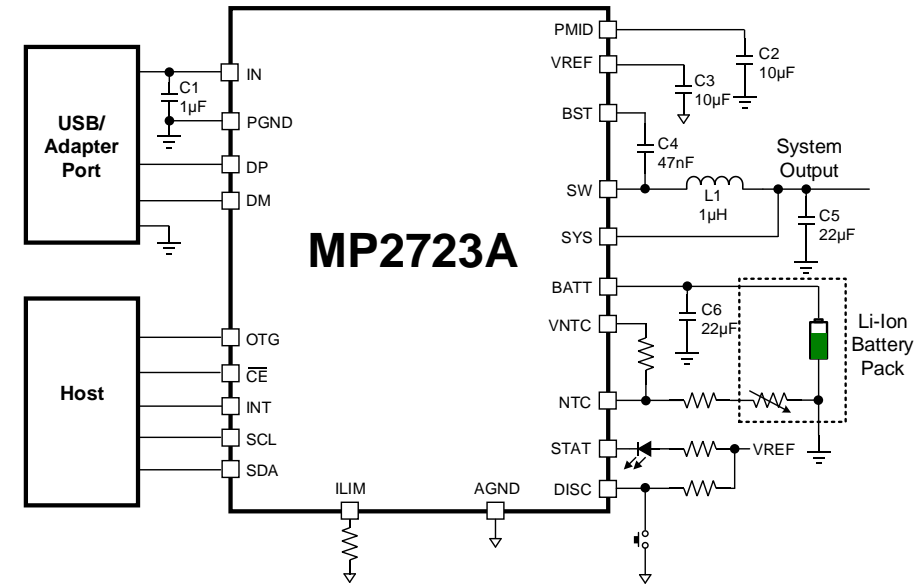
For Customer and Distributor Use Only

## Why Buy?

- Up to 92% Efficiency at 3A Charge Current for Excellent Thermals
- Integrated ADC for Parameter Monitoring and to Reduce PCB Layout Area

## Market

- Portable Applications
- Handheld Devices



Available in a QFN-26 (3.5mmx3.5mm) Package

