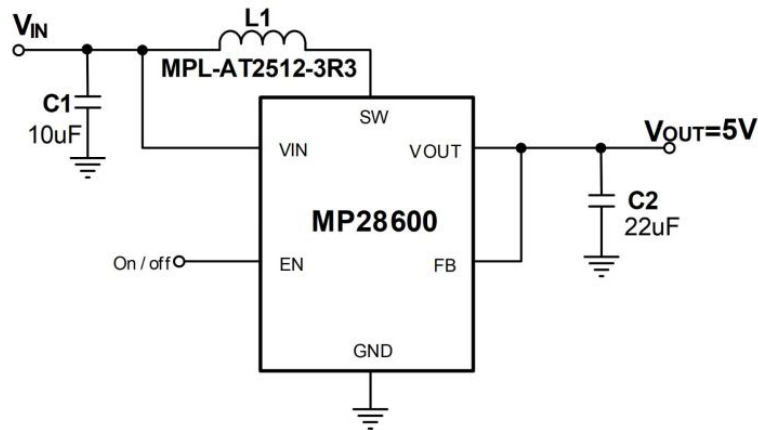


# MP28600

Ultra-Low Quiescent Current, Synchronous Boost Converter



## Description

The MP28600 is an ultra-low quiescent current ( $I_Q$ ), synchronous boost converter. It is designed for battery-powered products where high efficiency under light-load conditions is critical to achieve a long battery life.

The MP28600 can start from a low 0.7V input voltage ( $V_{IN}$ ), then work down to a 0.1V  $V_{IN}$  after start-up. The MP28600 features constant-off-time (COT) control mode to achieve high-efficiency conversion under light-load conditions.

The MP28600 features boost mode and down mode for different  $V_{IN}$  conditions. In down mode, the output voltage ( $V_{OUT}$ ) can be regulated to its target value, even when  $V_{IN}$  exceeds  $V_{OUT}$ .

The MP28600 is available in a space-saving SOT563 (1.6mmx1.6mm) package.

## Features & Benefits

- 0.7V to 5.25V Start-Up Voltage ( $V_{ST}$ ) Range
- 0.1V to 5.25V Operating Input Voltage ( $V_{IN}$ ) Range
- 2.5V to 5.25V Output Voltage ( $V_{OUT}$ ) Range
- Constant-Off-Time (COT) Control Mode
- 600nA Quiescent Current ( $I_Q$ )
- 1A Fixed Switching Current Limit
- 86% Efficiency for 1.5V to 5V/1mA
- Automatic Switching between Boost Mode and Down Mode
- True Disconnect during Shutdown

- 150°C Thermal Shutdown Protection
- Available in an SOT563 (1.6mmx1.6mm) Package
- Optimized Performance with MPS Inductor MPL-AT Series

## Active Part Numbers:

MP28600GTF-Z MP28600GTF-P MP28600GTF-33-Z MP28600GTF-33-P MP28600GTF-50-Z MP28600GTF-50-P



Singel 3 | B-2550 Kontich | Belgium | Tel. +32 (0)3 458 30 33  
info@alcom.be | www.alcom.be  
Rivium 1e straat 52 | 2909 LE Capelle aan den IJssel | The Netherlands  
Tel. +31 (0)10 288 25 00 | info@alcom.nl | www.alcom.nl