

**Feature:**

- . Complies with IEEE standards and all 10/100 Ethernet specifications including 350uH with 8mA DC bias
  - . Intergrated Mag-modular design provides higher reliability and conserves minimizing PCB space
  - . Housing: Thermoplastic PBT+30%GF UL94V0 rated
  - . Contact :Phosphor Bronze( C5191)
  - . Content area Gold plated
  - . Input Terminal : Brass(C2680)
  - . Metal shielding:Copper alloy with Nickel plated(C2680),
  - . Different color of LEDs option available
  - . Operating temperature:0oC to +70oC
  - . Storage temperature: -40oC to +85oC
- Lead-free process,compliant RoHS

**ORDER INFORMATION**

5 R T 2 D R 2 1 R 2 N - 8 8 X X P X L - 001 - E 1



2: With Shielded With Panel Ground

N:W/O Ear

Number of position (8P)

Number of contact (8C)

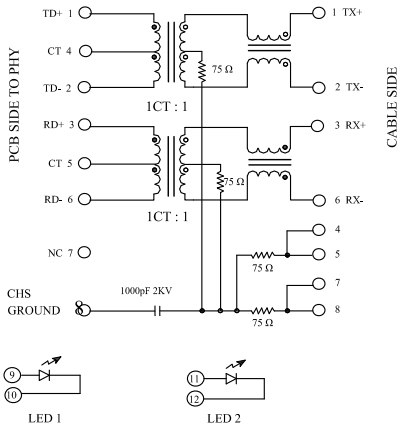
S0:Selective Au  
SA:Selective 6u"  
SF:Selective 15u"  
SD:Selective 30u"  
SH:Selective 50u"

See LED Color Options Table

L:RoHS+PBT+Tray

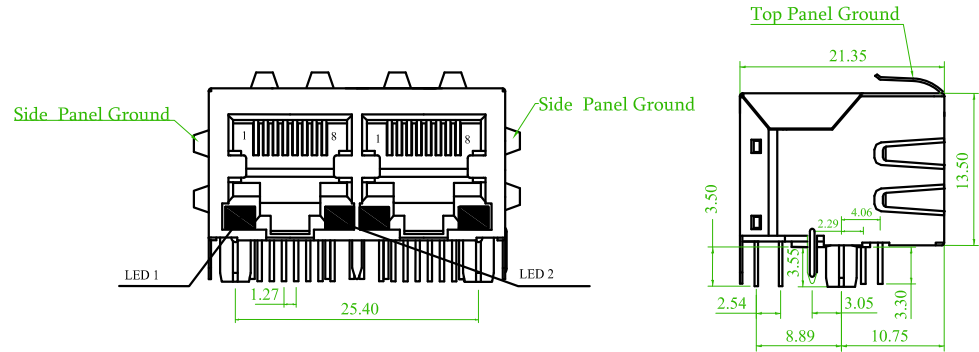


**SCHEMATIC**



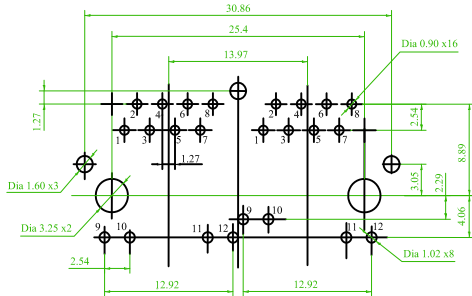
**LED Color Options Table**

Left(LED1)	Right(LED2)	No.
Yellow	Green	1
Yellow	Yellow	2
Green	Yellow	3
Green	Green	4

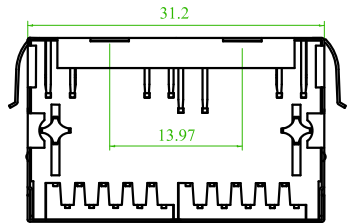


**Electrical Specifications: (25°C)**

Insertion Loss dB Max	Return Loss dB Min				Common Mode Rejection dB TYP		Crosstalk dB TYP	Hi-Pot (vrms)
1-100MHz	1-30MHz	60-80MHz	80-100MHz	1-100MHz	150MHz	1-100MHz		1200V/1mA
-1.0	-18.0	-12.0	-10.0	-30.0	-20.0	-30.0		



viewed from PCB Component side



Singel 3 | B-2550 Kontich | Belgium | Tel. +32 (0)3 458 30 33 | info@alcom.be | www.alcom.be  
Rivium 1e straat 52 | 2909 LE Capelle aan den IJssel | The Netherlands | Tel. +31 (0)10 288 25 00 | info@alcom.nl | www.alcom.nl

 糧德精密有限公司 Amtek Technology Co., Ltd. TEL: 886-2-2260-6878 FAX: 886-2-2260-8030	品名 TITLE	MODULAR JACK SHIELDED SIDE ENTRY				頁數 Page	1/1
	品號 PART NO.	5RT2DR21R2N-88XXPXL-001-E1				繪圖 DRAWN	Roy 2016/05/20
	圖號 DRAWING NO.	GN052-MD515	版本 REV.	C	核對 CHECKED	Josh 2018/11/27	
	客戶品號 CUSTOMER P/N		比例 SCALE	None	承認 APPROVED	Jason 2018/11/27	
	公差 TOLERANCE	.X ±0.38 .XX ±0.25	單位 UNIT	mm	THIRD ANGLE PROJECTION		

	x1	QEC NO.:181110 , Revise the plated.	Roy	2018/11/27
	x5	ECN NO.:180605 1.Revise the Part No. 2.Revise the Led Table 3.Revise the Plated:G5->GH	Mia	2018/09/25
REV.		ECN NO. OR DESCRIPTION	REVISED	DATE