

# ORDER INFORMATION

5 R J D D R 2 0 R A N - 8 8      G A P 1 L - 592 - R 1

**MATERIAL:**  
 HOUSING: PBT,UL94V-0,BLACK.  
 TERMINAL: PHOSPHOR BRONZE  $\phi=0.46\text{MM}$   
 SHIELD: C2680,T=0.20MM,20 MIN NICKEL PLATING ON ALL AREA.

**MECHANICAL:**  
 DURABILITY: 750 CYCLES MIN,12.5MM/MINUTE.  
 INSERTION FORCE: 2.2KG.F MAX.  
 RETENTION STRENGTH : 7.7KG.F BETWEEN JACK AND PLUG.  
 OPERATING TEMPERATURE: -40°C~+85°C.  
 STORAGE TEMPERATURE: -40°C~+85°C.

**ELECTRICAL:**  
 VOLTAGE: 125 VOLTS AC.  
 CURRENT RATING : 1.5AMP.  
 DIELECTRIC STRENGTH: 1000 VAC RMS 50HZ OR 60HZ,1MIN.  
 INSULATION RESISTANCE: 500 MEGA OHMS MIN. INITIAL AFTER 500V DC FOR 1 MINUTE.  
 CONTACT RESISTANCE: SINGLE TERMINAL 30 MILLIOHMS MAX. INITIAL 50 MILLIOHMS MAX. AFTER DURABILITY TEST.

D:2x4 Port

N:W/O Ear

Number of position  
8:8P

Number of contact  
8:8C

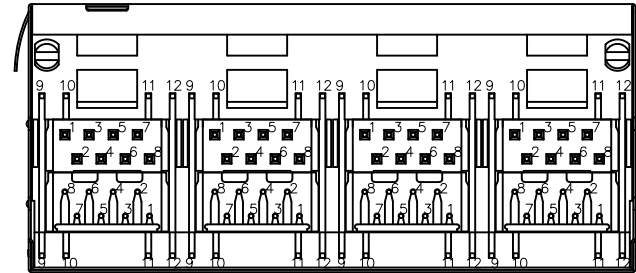
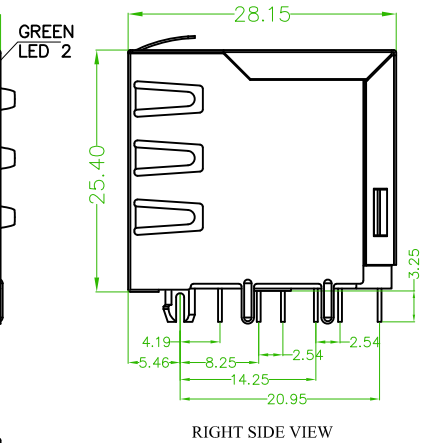
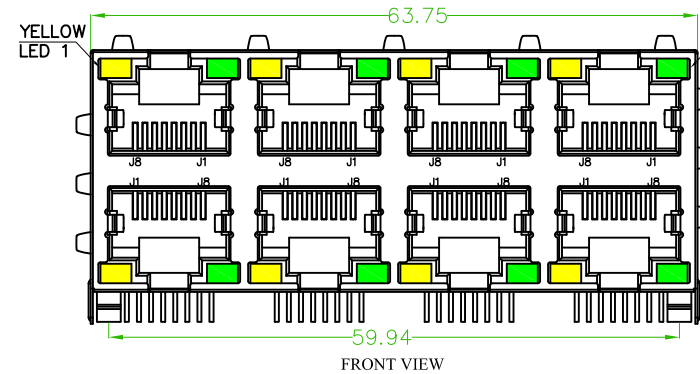
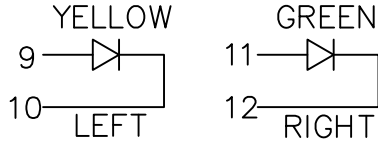
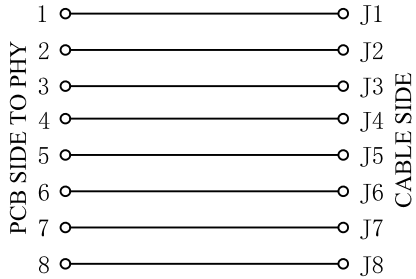
GA:6u"

L:RoHS + PBT+Tray

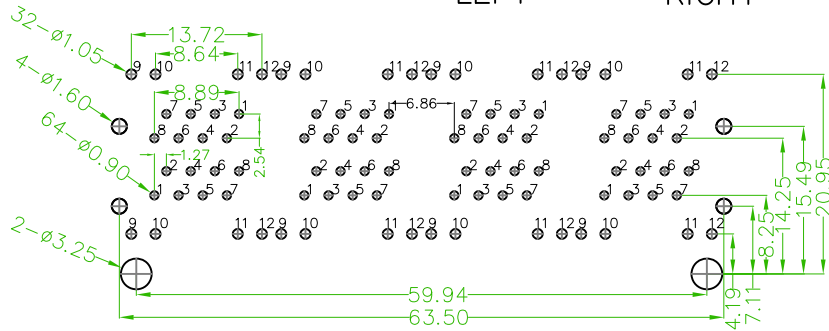


## LED Specification

Standard LED Color	LED Wavelength	Foward(A)	Foward(V)
Green	568nm	20mA	1.8-2.8V
Yellow	585nm	20mA	1.8-2.8V



BOTTOM VIEW



RECOMMENDED PCB LAYOUT VIEWED FROM COMPONENT SIDE



Singel 3 | B-2550 Kontich | Belgium | Tel. +32 (0)3 458 30 33 | info@alcom.be | www.alcom.be

Rivium 1e straat 52 | 2909 LE Capelle aan den IJssel | The Netherlands | Tel. +31 (0)10 288 25 00 | info@alcom.nl | www.alcom.nl

 糧德精密有限公司 Amtek Technology Co., Ltd. TEL: 886-2-2260-6878 FAX: 886-2-2260-8030	品名 TITLE	MODULAR JACK SHIELDED SIDE ENTRY			頁數 Page	1/1
	品號 PART NO.	5RJDDR20RAN-88GAP1L-592-R1			繪圖 DRAWN	Nick 2019/08/28
	圖號 DRAWING NO.	GN169-NI331			核對 CHECKED	Josh 2019/08/28
	客戶品號 CUSTOMER P/N				承認 APPROVED	Josh 2019/08/28
	公差 TOLERANCE	.X ±0.30 .XX ±0.25	版本 REV.	A	比例 SCALE	None

REV.	ECN NO. OR DESCRIPTION	REVISED	DATE