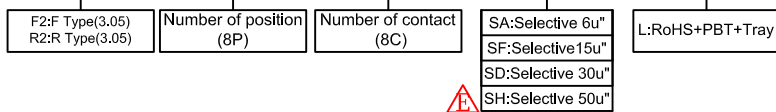


Notes :

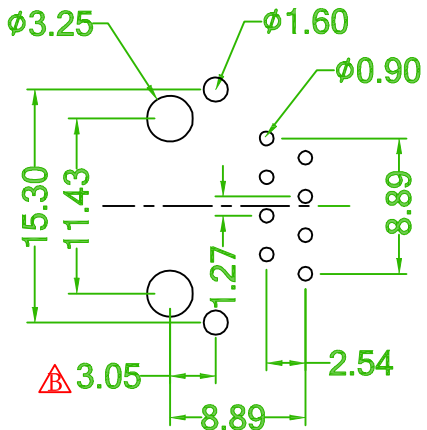
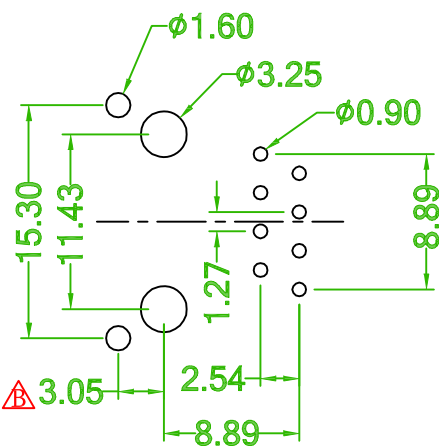
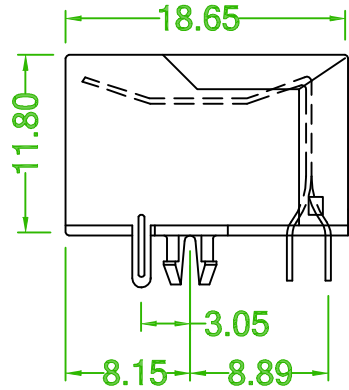
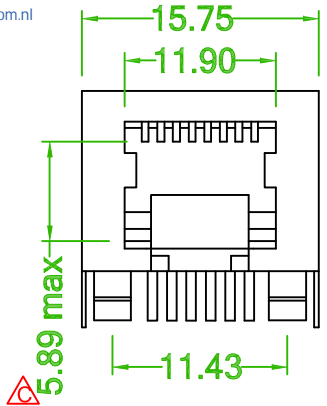
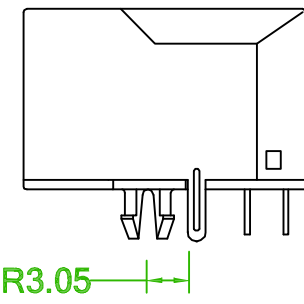
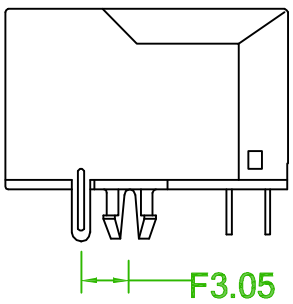
Cavity Confirms to FCC Rules and Regulations Part 68, Subpart F
 Housing : PBT, UL94V-0, Black
 Contact : Phosphor Bronze
 Finished : Gold Plated Over Nickel on Contact Area,
 Tin Plated Over Nickel on Solder Area
 Shield: Brass With Nickel Plated. ⚠

ORDER INFORMATION

5 R J 1 D R 1 0 X X N - 8 8 X X 0 0 L - 965 - A 1

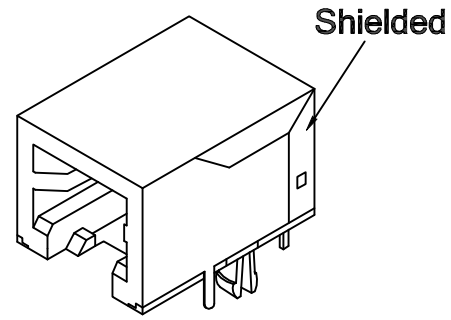
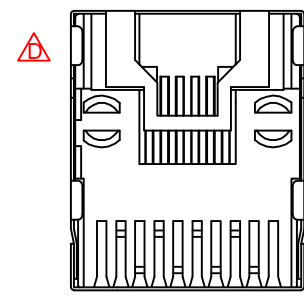


Singel 3 | B-2550 Kontich | Belgium | Tel. +32 (0)3 458 30 33 | info@alcom.be | www.alcom.be
 Rivium 1e straat 52 | 2909 LE Capelle aan den IJssel | The Netherlands | Tel. +31 (0)10 288 25 00 | info@alcom.nl | www.alcom.nl



PCB LAYOUT, TOP VIEW (F3.05)

PCB LAYOUT, TOP VIEW (R3.05)



Old Part No. : S965-L

⚠x1	ECN NO.:180605,Revise the Plated:S5->SH	Mia	2018/10/01
⚠x1	Revised the Shield	Mia	2017/07/21
⚠x1	Add the Dim.: 5.89 max	Eloise	2017/03/28
REV.	ECN NO. OR DESCRIPTION	REVISED	DATE

耀德精密有限公司
 Amtek Technology Co., Ltd.
 TEL: 886-2-2260-6878
 FAX: 886-2-2260-8030

品名 TITLE	MODULAR JACK SHIELDED SIDE ENTRY H=11.8 W=18.65				頁數 Page	1/1
品號 PART NO.	5RJ1DR10XXN-88XX00L-965-A1				繪圖 DRAWN	Jeff 2015/09/16
圖號 DRAWING NO.	GW005-MC228	版本 REV.	E	核對 CHECKED	John 2015/09/16	
客戶品號 CUSTOMER P/N		比例 SCALE	None	承認 APPROVED	John 2015/09/16	
公差 TOLERANCE	.X ± 0.20 .XX ± 0.15	單位 UNIT	mm	THIRD ANGLE PROJECTION		