

ELECTRICAL SPECIFICATIONS

Voltage:125VAC
 Current:1.5A
 Contact Resistance:30 mΩ Max.
 Insulation Resistance:500M Ω Min.
 Dielectric Withstanding Voltage:1000VAC

ORDER INFORMATION

5 R J 1 M R 1 0 F 1 N - X X X X 0 0 X - 9 6 3 - A 1

Number of position	8:8P
A:10P	

Number of contact	8:8C
A:10C	

SA:Selective 6u"
SF:Selective 15u"
SD:Selective 30u"
SH:Selective 50u"

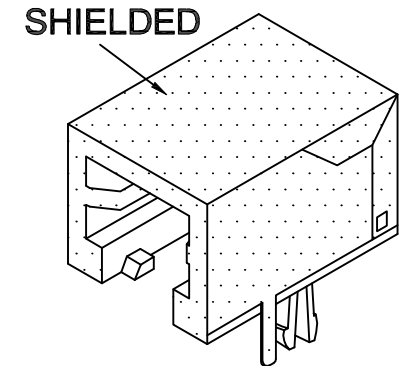
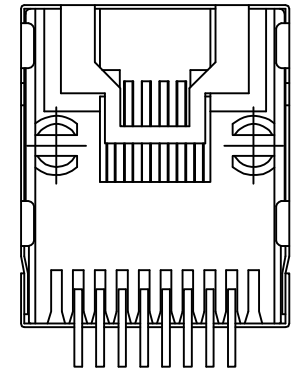
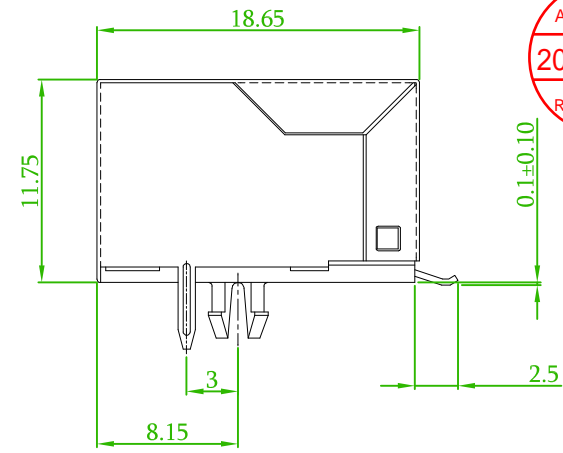
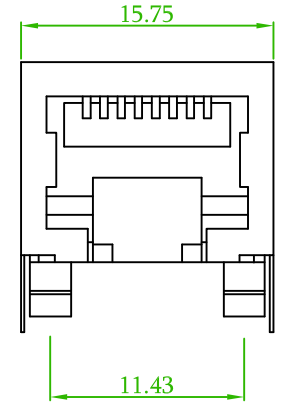
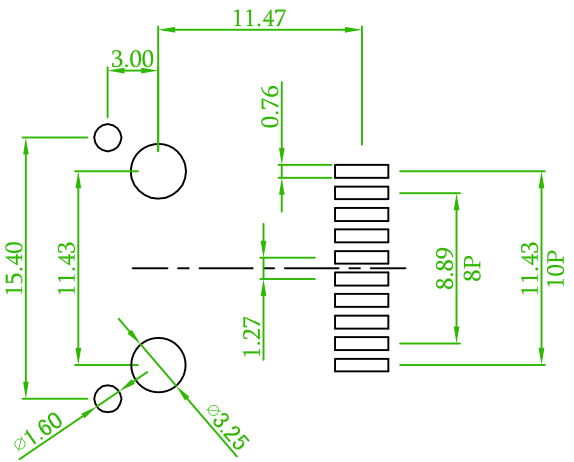
U:RoHS+Hi-Temp.+Tray
 R:RoHS+Hi-Temp.+T/R



MATERIAL & FINISH

Housing: Hi-Temp. Thermoplastic.UL94V-0, Black
 Contact: Phosphor bronze
 Plating:Gold plated over Nickel on contact area,
 Tin plated over Nickel on solder area.
 Shield:Brass Plated with nickel

AMTEK 耀德
 2018.07.13
 Released DCC



PCB LAYOUT / TOP VIEW
TOLERANCE ± 0.1

REV.	ECN NO. OR DESCRIPTION	Mia	2018/07/13	Singel 3 B-2550 Kontich Belgium Tel. +32 (0)3 458 30 33 info@alcom.be www.alcom.be Rivium 1e straat 52 2909 LE Capelle aan den IJssel The Netherlands Tel. +31 (0)10 288 25 00 info@alcom.nl www.alcom.nl
				Add the Package:Tape-Reel Add the Package:Tape-Reel

耀德精密有限公司
 Amtek Technology Co., Ltd.
 TEL: 886-2-2260-6878
 FAX: 886-2-2260-8030

品名 TITLE	MODULAR JACK SIDE ENTRY SMT TYPE				頁數 Page	1/1
品號 PART NO.	5RJ1MR10F1N-XXXX00X-963-A1				繪圖 DRAWN	Mia 2017/07/14
圖號 DRAWING NO.	GW005-MC532	版本 REV.	B	核對 CHECKED	Carol 2017/07/14	
客戶品號 CUSTOMER P/N		比例 SCALE	None	承認 APPROVED	Jason 2017/07/14	
公差 TOLERANCE	± 0.30	單位 UNIT	mm	THIRD ANGLE PROJECTION		