

SICOM3000S

8GP+4G/8P+4G port layer 2 managed DIN-Rail PoE switches



» Overview

SICOM3000S is Layer 2 DIN-Rail Managed PoE Industrial Ethernet Switch. SICOM3000S support 2/4 1000M SPF fiber ports for uplink and 4/8 100M PoE ports, or support 2/4 1000M SPF fiber ports for uplink and 4/8 1000M PoE ports, It supports IEEE802.3af and at for PoE function, and support 48VDC for power supply. The PoE output is up to Max 120/240W.

SICOM3000S support DT-Ring (recovery time<50ms), DRP/DHP (recovery time<20ms), STP/RSTP/MSTP, VLAN, multicast, QoS, SSH and many other Layer 2 software features, and supports CLI, Telnet, Web management methods, Kyvision centralized management based on SNMPv1/v2c/v3. Support Configuration Backup and Restore, DDM(SFP port). SICOM3000S is especially designed for harsh environments with wide operating temperature range, EMC level 3, IP30 protection class, strong vibration-resistant mounting clip for DIN-Rail installation, and can be deployed in Factory automation, ITS, Transportation, Video monitoring, Utility tunnel and many other industrial applications.

» Key Features

Supports 10/100Base-TX or 10/100/1000Base-TX PoE port , and 1000Base-X SFP ports

Support maximum 8 802.3af/802.3at PoE ports, maximum 15/30W each port

Supports DT-Ring, DRP/DHP, STP/RSTP/MSTP for network redundancy

Supports DDM

Supports one-key recovery

Supports Automatic Configuration Backup and Restore

Supports IP40 protection

CE, FCC

Product Specifications

>Software functions

-Switching

Supports VLAN, PVLAN

Supports GVRP

Supports port aggregation, LACP

Supports port flow control

Supports Rate limit based on flow (ACL Rate Limiter)

Supports Global broadcast storm suppression (QOS Storm Policing)

-Redundancy

Supports DT-Ring, DT-Ring+, DT-VLAN with the recovery time<50ms

Supports DRP/DHP with the recovery time<20ms

Supports STP/RSTP/MSTP

-Multicast

Supports IGMP snooping

Supports GMRP

Supports static multicast

Supports IGMPv2/v3

-Routing protocol

Supports static routing

-Network Security

Supports HTTPS/SSL

Supports SSH

Supports TACACS+

Supports IEEE802.1X

Supports RADIUS

Supports User Classification

Supports MAC address binding with switch ports

-Service Quality

Supports QoS, 802.1p(CoS), DSCP

Supports SP, WRR queue scheduling

Supports ACL

-Management and Maintenance

Supports Console, Telnet, WEB management methods

Supports SNMPv1/v2c/v3, Kyvision centralized management

Supports software upgrade by SFTP/HTTP

Supports Power alarm, IP/MAC conflict alarm, Memory/CPU usage alarm, Port alarm, Ring alarm, Port traffic alarm, CRC error and packet lose alarm, SFP port RX power alarm and TX power alarm

Supports DDM (SFP port)

Supports loop detection

Supports RMON

Supports port mirroring

Supports Syslog

Supports LLDP

Supports Link-check

Supports Automatic Configuration Backup and Restore

-IP management

Supports DHCP server/snooping/client, DHCP Option 82

Supports ARP

Supports IPv4/IPv6

-Clock Management

Supports SNTP Client

Supports PTP

-PoE management

Support PoE port configuration and PD detection
Support PoE port power supply priority configuration
Support state query and alarm, remote management

>Technical specifications

-Technical Parameter

Standard

IEEE 802.3i (10Base-T)

IEEE 802.3u (100Base-T and 100Base-FX)

IEEE 802.3ab (1000Base-T)

IEEE 802.3z (1000Base-SX/LX)

IEEE 802.3ad (Link aggregation)

IEEE 802.3x (Flow Control)

IEEE 802.1p (Class of Service)

IEEE 802.1Q (VLAN)

IEEE 802.1d (STP)

IEEE 802.1w (RSTP)

IEEE 802.1s (MSTP)

IEEE 802.1x (Network Access Control)

IEEE 802.1ab (LLDP)

IEEE 802.3af PoE

IEEE 802.3at PoE+

IEEE1588 V2 (PTP)

-Switch Properties

Priority Queues 8

Number of VLANs 4K

VLAN ID 1 ~ 4094

Number of Multicast Groups 8K

MAC Table 8K

Packet Buffer 4Mbit

Packet Forwarding Rate 7.2Mpps (4GX8P), 17.9Mpps (4GX8GP)

Switching Delay <5μs

Jumbo Frame Size 9.6KB

-Interface

Gigabit Port

100Base-X, 1000Base-X SFP slot

10/100/1000Base-T(X), RJ45 port

802.3af/at PoE Port Each PoE port provides max 30W feed power

V+ for pin 1, 2 and V- for pin 3,6(End-Span PSE)

Fast Ethernet Port

10/100Base-T(X), RJ45 port

802.3af/at PoE Port Each PoE port provides max 30W feed power

V+ for pin 1, 2 and V- for pin 3,6(End-Span PSE)

DI/DO Port 2 DI, 2 DO, 8-pin 3.81mm-spacing terminal block

Console Port RJ45, RS232

Alarm Contact 3-pin 5.08mm-spacing plug-in terminal block, 250VAC/220VDC Max, 2A Max

-LED

LEDs on Front Panel

Running LED: Run

Alarm LED: Alarm

Power LED: PWR1,PWR2

Ring LED: Ring

Interface LED: Link/ACT, Speed (RJ45 port); Link/ACT(Fiber port)

PoE LED: ACT(PoE port)

DI/DO LED: ACT (DI1,DI2,DO1,DO2)

-Button

Reset: Reboot and restore default configuration

-Power Requirement

Power Input

L16: 48VDC(18-57VDC)

18-45VDC for no PoE

45-57VDC for PoE

51-57VDC for PoE+

Power Terminal

5-pin 5.08 mm-spacing plug-in terminal block

Power Consumption

L16:

<16W@18-45VDC(Non PD)

45-57VDC for PoE (max 15W per POE port)

51-57VDC for PoE+ (max 30W per POE port)

Overload Protection Support

Reverse Protection Support

Redundancy Protection Support

-Physical Characteristics

Housing Metal

Cooling Natural convection, fanless

Protection Class IP40

Dimension

75mm×168.2mm×135.5mm(W×H×D)

75mm×165mm×123mm(W×H×D) (excluding the connector, DIN rail, and component for panel mounting)

Weight 1.35Kg

Mounting DIN-Rail or Panel Mounting

-Environmental Limit

Operating Temperature -40°C ~ +75°C

Storage Temperature -40°C ~ +85°C

Ambient Relative Humidity 5% to 95% (non-condensing)

-Warranty

MTBF 969355h

Warranty 5 years

-Approvals

CE, FCC

EMC: EN 55032/35, EN 61000-6-4, EN 61000-6-2

Rail Traffic: EN 50121-4

-Industrial Standard

EMI

FCC CFR47 Part 15,EN55032/CISPR22,Class A

EMS

IEC61000-4-2(ESD) $\pm 6\text{kV}$ (contact), $\pm 8\text{kV}$ (air)

IEC61000-4-3(RS) 10V/m(80MHz ~ 2GHz)

IEC61000-4-4(EFT) Power Port: $\pm 2\text{kV}$;Data Port: $\pm 1\text{kV}$

IEC61000-4-5(Surge) Power Port: $\pm 1\text{kV}/\text{DM}$, $\pm 2\text{kV}/\text{CM}$;Data Port: $\pm 1\text{kV}$

IEC61000-4-6(CS) 10V(150kHz ~ 80MHz)

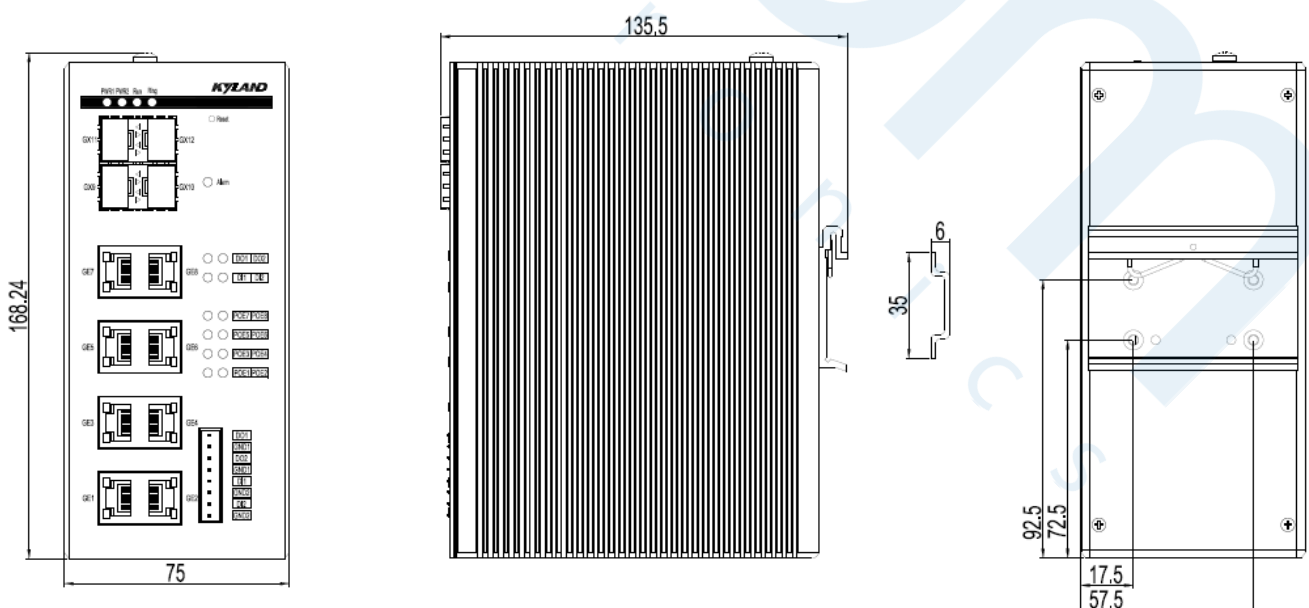
Machinery

IEC60068-2-6 (vibration)

IEC60068-2-27 (shock)

IEC60068-2-32 (free fall)

» Mechanical Drawing



Ordering Information

Ordering Information

Product Model	SICOM3000S-Ports-PS1-PS2
Code definition	Code selection
Ports	4GX8P= 4×1000Base-X SFP ports; 8×10/100Base-T(X) RJ45 PoE ports 2GX4P= 2×1000Base-X SFP ports; 4×10/100Base-T(X) RJ45 PoE ports 4GX8GP= 4×1000Base-X SFP ports; 8×10/100/1000Base-T(X) RJ45 PoE ports 2GX4GP= 2×1000Base-X SFP ports; 4×10/100/1000Base-T(X) RJ45 PoE ports
PS1-PS2	L16-L16=48VDC (18-57VDC), redundant power inputs

Accessories

Accessory Model	Description
SFP module	See the selection table of industrial SFP module.
DT-BGAZ-05	Panel for panel mounting
DT-FCZ-RJ45-01	Single-port RJ45 dust plug
KyACB-USB-RJ45	Automatic Configuration Backup tool with RJ45 connector

Version:2021-01-29 08:51:54