

Itron TFT module product summary

The Itron TFT module product features of TU/TW, GT-CP and VP range for your reference.

TU/TW series

Concept

Fully integrated display modules with extensive interface options

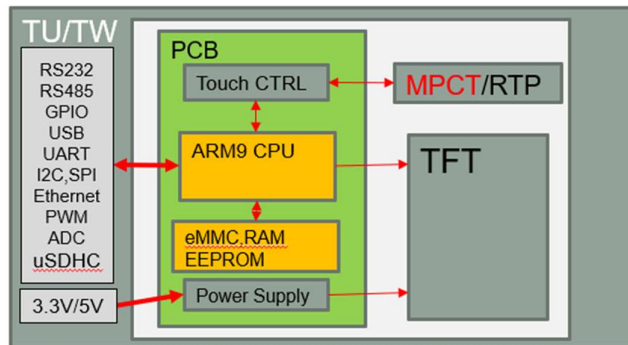
Put application control in the TFT for communication efficiency

- Functionable as HOST in the project and various peripherals driving capability.

Lower implementation cost

- Rapid development because of fully integrated hardware and simple intelligent **iDev OS** (up and running in 10 minutes.).

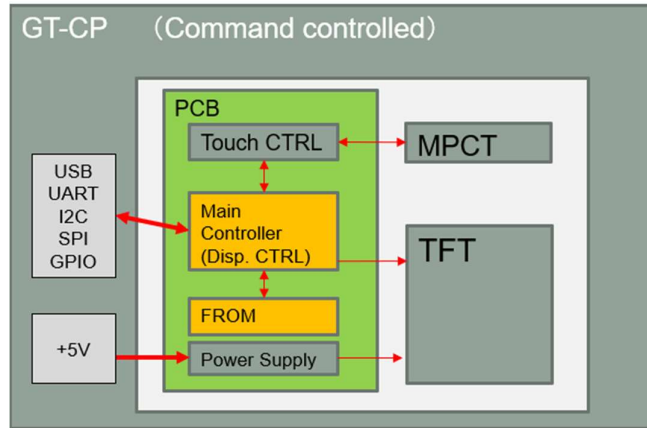
Customizable hardware and software can support for specific requirement



GT-CP series

Concept

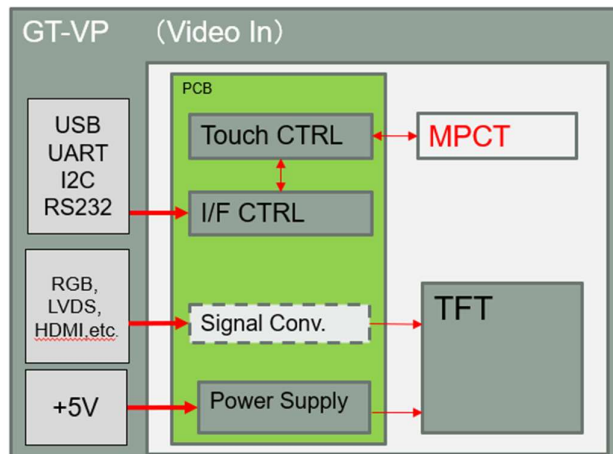
- Super Simple Command Controlled module with High Performance MPCT Touch
- Low Total Cost Simple Screen Solution by Low HOST loading (inexpensive host MPU)
- Intelligent internal operation helps Low HOST overhead
- (e.g. Pre-install display image, Unique screen control command , GPIOs...etc..)



GT-VP series

Concept

- Embedded touch monitor designed to smoothly integrated into project.
- Plug & Play via DVI video input / HDMI connector
- High performance MPCT touch via USB
- High touch sensitivity to operate accurately in demanding environment.




V_{cc} = DC5V

Video I/F : DVI (HDMI connector)

Touch I/F : USB(HID), UART or I2C

TFT Product Range



Intelligent

Series	Feature	I/Fs	Size	Touch panel
GT-VP ●	Bright Monitor	DVI (HDMI), RGB, LVDS	5" - 10.1"	MPCT
GT-CP ●	Bright Command Control	SPI, I2C, UART, USB	4.3" - 7"	MPCT
New! GT-CP Wide temp ●	Wide Temp Bright Command Control	SPI, I2C, UART, USB	4.3" or 7"	MPCT
TU 🇬🇧	ARM9 based Embedded <i>iDev OS</i> or Linux, <i>Customize friendly</i>	USB, RS232, RS485, Async, SPI, I2C, CAN and Ethernet	3.5" - 7"	MPCT Resistive Non
TW 🇬🇧	Enhanced version of TU series iSMART TFT Modules - Noritake Itron (noritake-itron.com)		4.3" - 7"	Same as TU