



IOT-800N

8" Android Panel PC



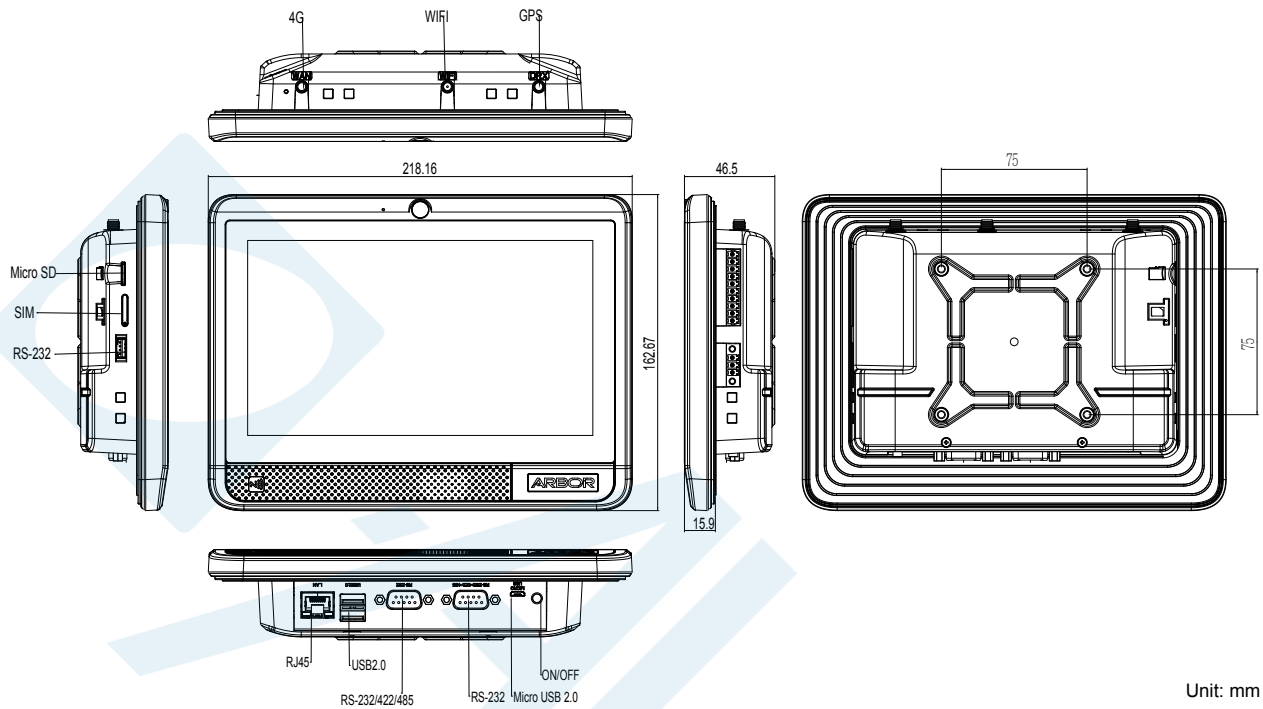
Features

- Rockchip PX30, ARM Quad-core Cortex-A35, 64-bit low-power processor, up to 1.5GHz
- Built-in Can BUS, OBD-II for fleet management applications
- 8M front camera for in-vehicle surveillance
- Multiple I/O including LAN, USB 2.0, and RS-232 support
- Global band LTE module; a single module for different countries and supporting positioning simultaneously
- Supports Android 8.1 and Build to Order (BTO) service for Buildroot

System	
CPU	ARM Quad-core Cortex-A35
OS	Android 8.1, (BTO service for Buildroot)
Memory	2GB DDR4 memory soldered on board
Flash	16GB eMMC flash soldered on board
Peripherals and Devices	
Front Camera	1 x 8MP resolution CMOS MIPI-CSI Type AF camera module
Audio	1 x built-in speaker (1W) 1 x built-in microphone
Wireless	
WWAN	WCDMA / LTE, Mini PCIE interface (optional)
WLAN	IEEE 802.11 a/b/g/n/ac
Bluetooth	Bluetooth 4.2, low power BLE
NFC	1 x 13.56MHz RFID & NFC reader with ISO 14443A/14443B/15693 & mifare
GPS	Supporting GPS / Galileo / Glonass / BeiDou / QZSS (optional)
I/O Interface	
SD Card	1 x microSDHC/microSDXC/ microSD (Max. 128GB) card socket
USB	2 x USB 2.0 Type-A port 1 x micro USB 2.0
Speaker	1 x 8Ω/1W
DB9 Interface	1 x RS-232/422/485 COM port; 1 x RS-232 COM port
LAN	1 x RJ-45 Ethernet, 10/100Mbps
Power	Tact switch
CAN	OBD-II
DIO	3 x DI, 3x DO (dry contract)
Expansion	Mini PCIE interface (USB signal only)

LCD Display	
Size/Type	8" TFT LCD
Resolution	1024 x 600
Technology	High definition
Brightness (cd/m ²)	500 cd/m ²
Contrast Ratio	700:1(Typ.)
Interface	LVDS Type
View Angle (A/B/R/L)	70°/75°/75°/75° typ.
Touch Screen	
Type	5-point Projected Capacitive multi-touch
Interface	I2C
Power Input	
Power Input	Built-in ignition detection
DC Input	3-pin terminal block 9V~36V auto-detection
Mechanical & Environmental	
Operating Temp.	-5°C ~ 60°C (23°F~140°F)
Storage Temp.	-20°C ~ 70°C (-4°F~158°F)
Operating Humidity	5~90% RH@ 50°C (non-condensing)
Dimensions (W x H x D)	218.16 x 162.67 x 46.5mm (W x H x D)
Weight	940g (2.07lb)
Regulatory	CE, FCC E-Mark
Installation	
VESA Mount	75mm x 75mm

Dimensions



Ordering Information

IoT-800N	1 x 8" Android Panel PC, 8MP Front camera, WLAN, NFC, and Bluetooth ; 1 x Accessory Kit; (1 x 3-pin DC Terminal Block, Plug with screws; 1 x 10-pin Terminal Block, Plug; 1 x WiFi Antenna)
IoT-800N LTE	1 x 8" Android Panel PC, 8MP Front camera, WLAN, NFC, Bluetooth, and Global LTE Module; 1 x Accessory Kit; (1 x 3-pin DC Terminal Block, Plug with screws; 1 x 10-pin Terminal Block, Plug; 1 x WiFi Antenna; 1 x 4G Antenna) Global LTE Module: LTE-FDD: B1/B2/B3/B4/B5/B7/B8/B12/B13/B18/B19/B20/B25/B26/B28 LTE-TDD: B38/B39/B40/B41 WCDMA: B1/B2/B4/B5/B6/B8/B19 GSM/EDGE: Quad-band Embedded GNSS: GPS/GLONASS/BeiDou/Galileo/QZSS

Optional Accessories

GPS Antenna	GPS Antenna, SMA Plug Male, 1600mm
AC-DC Power Adapter (US)	Input : 100V-240V, Output : 12V/1.5A; W/3-pin Terminal Block with screws, US Plug
AC-DC Power Adapter (EU)	Input : 100V-240V, Output : 12V/1.5A; W/3-pin Terminal Block with screws, EU Plug