

# HELIO-916CP(H)

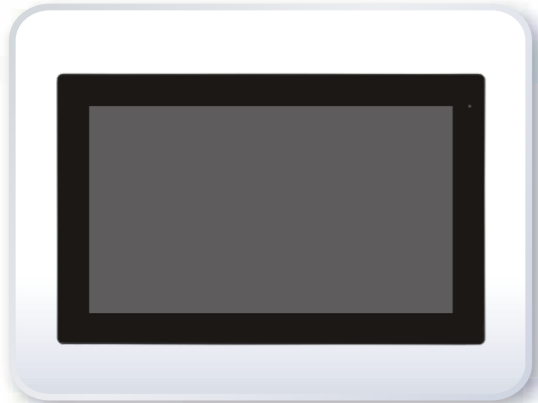
15.6" Modular Design, 11th Gen. Intel Core i3/i5 Fanless Industrial Compact Size Panel

Industrial Panel PC

HMI Controller

Industrial Display Monitor

Box PC



## Features

- 15.6" Industrial Compact Size Panel PC
- 11th Gen. Intel Core i3/i5 Processor
- 2 x 260-pin SO-DIMM DDR4 slot, up to 64GB 3200MHz
- Flat Front Panel Touch Screen with IP66 front bezel
- Fanless Design
- DC 9~36V Wide-Ranging Power Input
- Support Expansion via Full-size Mini-PCIe and M.2 slots
- Support TPM2.0 hardware security
- High Brightness 1,000 nits for option

## Specifications

System	
CPU	11th Gen. Intel Core i3/i5 Processors Core i3-1115G4E (Dual Core, 6 MB cache, 2.20 GHz) Core i5-1145G7E (Quad Core, 8 MB cache, 1.50 GHz)
System Chipset	SoC
Memory	2 x 260-pin SO-DIMM up to 64GB DDR4 3200MHz

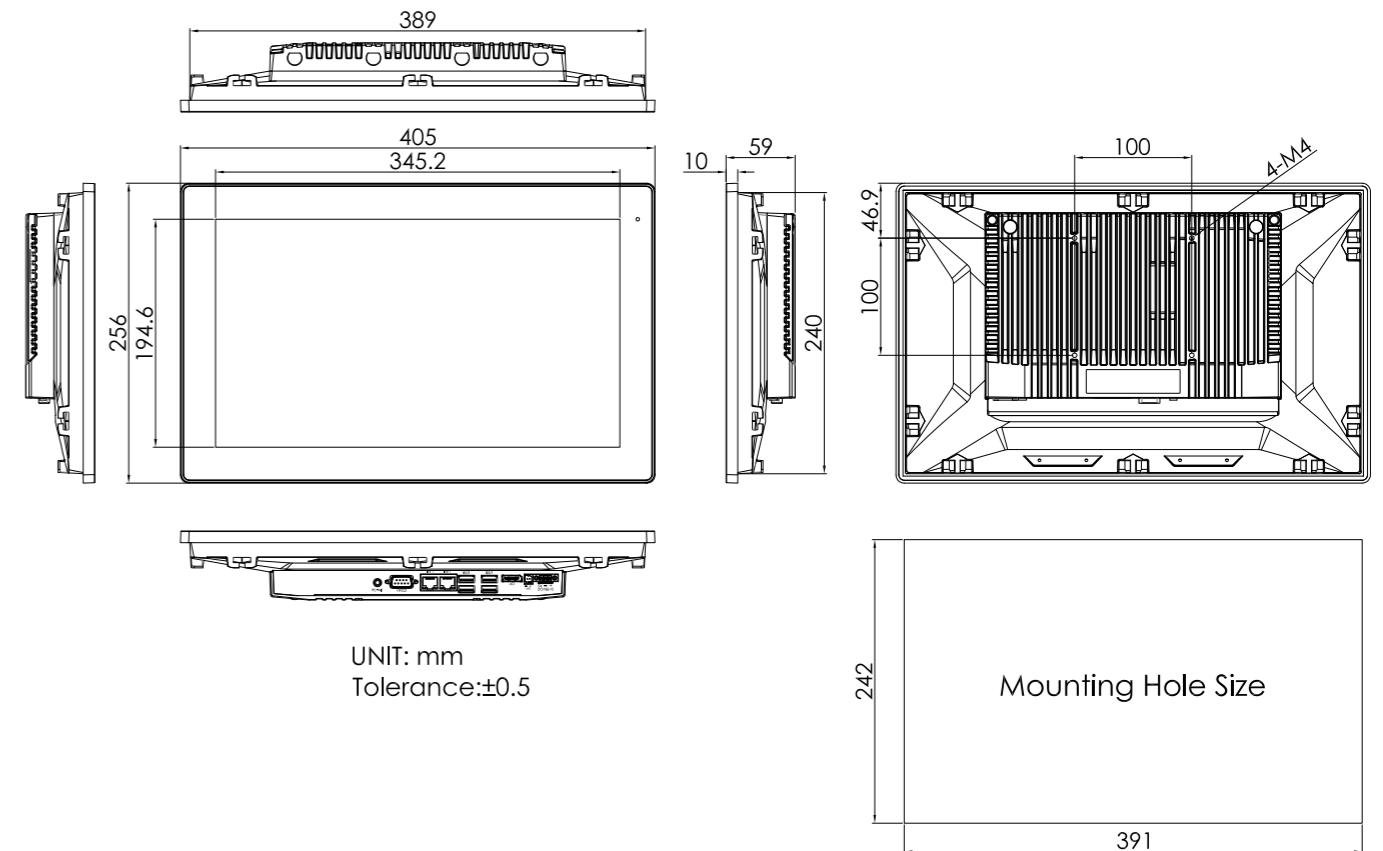
I/O Port	
USB	4 x USB 3.0 type A
Serial	1 x DB-9 connector, including: * 1 x RS-232(RTS, Rx, Tx, CTS), pin1 RTS/5V/12V selectable via jumper (COM1) * 1 x RS-232(Tx, Rx)/422/485(COM2) by Y Cable
Audio	1 x Audio Line Out
DP	1 x DP / HDMI
LAN	2 x GbE LAN RJ-45
Power	1 x 3-pin Terminal Block Connector 1 x 2-pin Power Switch Connector
Option	4G LTE Wi-Fi + Bluetooth 4 x USB 2.0 type A (TB-528U4) 4 x USB 2.0 type A + 1 x Mini-PCIe + 1 SIM slot (TB-528U4ME1) 1 x COM (RS-232) + 2 x USB 2.0 (TB-528C1U2) 1 x COM (RS-232) + 2 x USB 2.0 + 1 x Power Button (TB-528C1U2P1) 2 x COM (RS-232) (TB-528C2) 2 x COM (RS-232) + 1 x Mini-PCIe slot + 1 x SIM slot (TB-528C2ME1) 2 x COM (RS-422/485, isolated) (TB-528C2I) 2 x CAN (TB-528CAN2) 1 x LAN + 2 x USB 2.0 (TB-528E1U2) 1 x LAN(45W isolated PoE PD) + 2 x USB 2.0 type A (TB528E1U2UPOE)* Backup Battery (TB-528 Series or backup battery only be inserted in either one) Either high brightness panel or backup battery can be installed in HMI

Storage Space	
Storage	1 x M.2 M-Key 2280 (Support PCIe/SATA3)

Expansion	
Onboard Expansion	1 x Mini-PCIe slot (full size) 1 x M.2 E key for Wifi/BT Module 1 x Nano SIM slot

Display	Standard		High Brightness Optional	
	15.6" TFT-LCD		15.6" TFT-LCD	
Display Type	15.6" TFT-LCD		15.6" TFT-LCD	
Max. Resolution	1366 x 768	1920 x 1080	1366 x 768	1920 x 1080
Max. Color	16.7M	16.2M	16.7M	16.2M
Luminance (cd/m <sup>2</sup> )	400	450	1000	1000
View Angle	170(H)/160(V)	170(H)/170(V)	160(H)/160(V)	170(H)/170(V)
Contrast	500:1	800:1	500:1	800:1
Backlight Lifetime	50,000 hrs	50,000 hrs	50,000 hrs	50,000 hrs

## Dimensions



UNIT: mm  
Tolerance:±0.5

Touch Screen	
Type	Projected Capacitive Touch
Interface	USB
Light Transmission(%)	90%

Power	
Power Input	DC 9~36V
Power Consumption	70W (HELIO-916CP with i3)

Mechanical	
Construction	Aluminum Die-casting chassis
Mounting	Panel Mount, VESA 100 x 100
Dimensions (WxHxD)	405 x 256 x 59 mm
IP Rating	IP66 Compliant Front Bezel
Net Weight	3.7 kg

Environmental	
Operating Temperature	0~50°C / -20~60°C (option)
Storage Temperature	-30~70°C
Humidity	10 to 90%@ 40°C, non-condensing
Certificate	CE/FCC, Class A

Operating System Support	
Windows 10 IoT, Windows 11	



\*PoE limitation: CPU turbo off, rear I/O no loading, 70% LED backlight, PSE cable length < 50m