



GWU2X Datasheet

UG1000-1.0E, 6/29/2021



Singel 3 | B-2550 Kontich | Belgium | Tel. +32 (0)3 458 30 33
info@alcom.be | www.alcom.be
Rivium 1e straat 52 | 2909 LE Capelle aan den IJssel | The Netherlands
Tel. +31 (0)10 288 25 00 | info@alcom.nl | www.alcom.nl

Copyright © 2021 Guangdong Gowin Semiconductor Corporation. All Rights Reserved.

GOWIN, Gowin, and GOWINSEMI are trademarks of Guangdong Gowin Semiconductor Corporation and are registered in China, the U.S. Patent and Trademark Office, and other countries. All other words and logos identified as trademarks or service marks are the property of their respective holders. No part of this document may be reproduced or transmitted in any form or by any denotes, electronic, mechanical, photocopying, recording or otherwise, without the prior written consent of GOWINSEMI.

Disclaimer

GOWINSEMI assumes no liability and provides no warranty (either expressed or implied) and is not responsible for any damage incurred to your hardware, software, data, or property resulting from usage of the materials or intellectual property except as outlined in the GOWINSEMI Terms and Conditions of Sale. All information in this document should be treated as preliminary. GOWINSEMI may make changes to this document at any time without prior notice. Anyone relying on this documentation should contact GOWINSEMI for the current documentation and errata.

Revision History

Date	Version	Description
6/29/2021	1.0E	Initial version published.



Contents

Contents	i
List of Figures	iii
List of Tables	iv
1 Function	1
1.1 Overview.....	1
1.2 Features.....	1
1.3 Typical Applications.....	2
1.4 Driver Supported.....	2
2 Package	3
2.1 QN32 Pin Description.....	4
2.2 QN32 Package Outline.....	6
2.3 Package Marking.....	7
3 Function Description	8
3.1 Hardware Description.....	8
3.2 GPIO Interface.....	9
3.3 Synchronous Serial Interface.....	9
3.3.1 I ² C.....	9
3.3.2 SPI.....	9
3.3.3 JTAG.....	9
4 Driver Description	11
5 Devices Characteristics and Ratings	12
5.1 Absolute Max. Ratings.....	12
5.2 Electrical Characteristics.....	12
5.3 Timing Parameters.....	14

5.4 ESD Parameters.....	14
6 Typical Applications	15
6.1 I ² C Application	15
6.2 SPI Application.....	16
6.3 JTAG Application	16
Terminology and Abbreviations.....	17
Support and Feedback.....	18

List of Figures

Figure 1-1 GWU2X Structure View	1
Figure 2-1 QN32 Package Outline.....	6
Figure 2-2 Package Mark Meaning.....	7

List of Tables

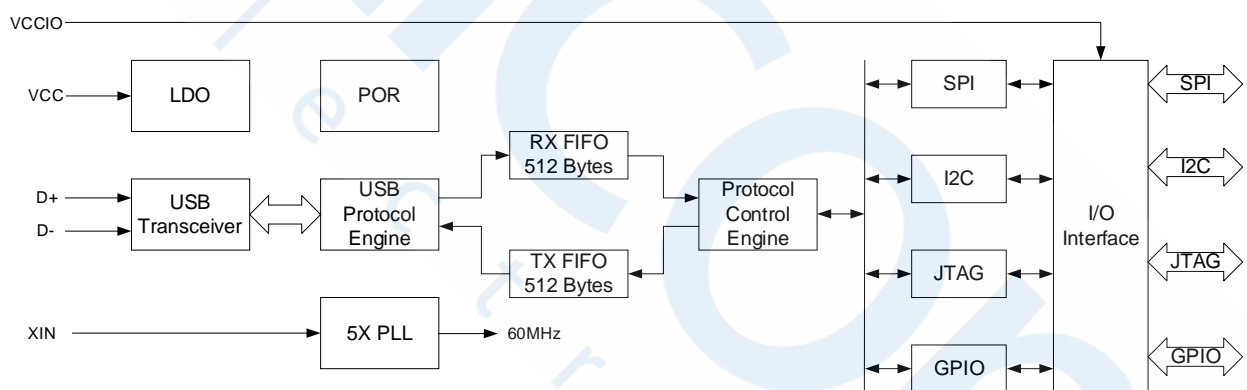
Table 2-1 Product Package Resources	3
Table 5-1 Absolute Max. Ratings	12
Table 5-2 Electrical Characteristics	12
Table 5-3 Timing Parameters	14
Table 5-4 ESD Paramrters	14
Table A -1Terminology and Abbreviations	17

1 Function

1.1 Overview

GWU2X is the first interface bridge ASSP chip in the Gowin Gobridge family. It is a highly integrated, low-power, and single-chip solution for communicating with peripheral interfaces over USB. It is designed to bridge SPI, I2C, JTAG, and GPIO. The structure view is as shown in Figure 1-1.

Figure 1-1 GWU2X Structure View



1.2 Features

- Supports full-speed USB device interface, compatible with the US B v1.1 specification.
- Built-in USB protocol processing, without device firmware programming.
- Supports USB to JTAG/ SPI/ I²C.
- Independent I/O power supply, supports 3.3V, 2.5V, and 1.8V standards.
- 16 general-purpose input and output pins.
- Supports I2C, SPI and JTAG host interfaces with adjustable clock and independent data receive buffer.

- API provided for host device usage.

1.3 Typical Applications

- USB products field upgrading
- USB Industry control
- USB Flash Card Reader
- USB-based instruments
- USB-SPI Bus Interface
- USB JTAG Programmer

1.4 Driver Supported

GWU2X supports the WinUSB drivers as below:

- Windows XP 64 bits
- Windows 7/ Windows 10 32 bits,64 bits

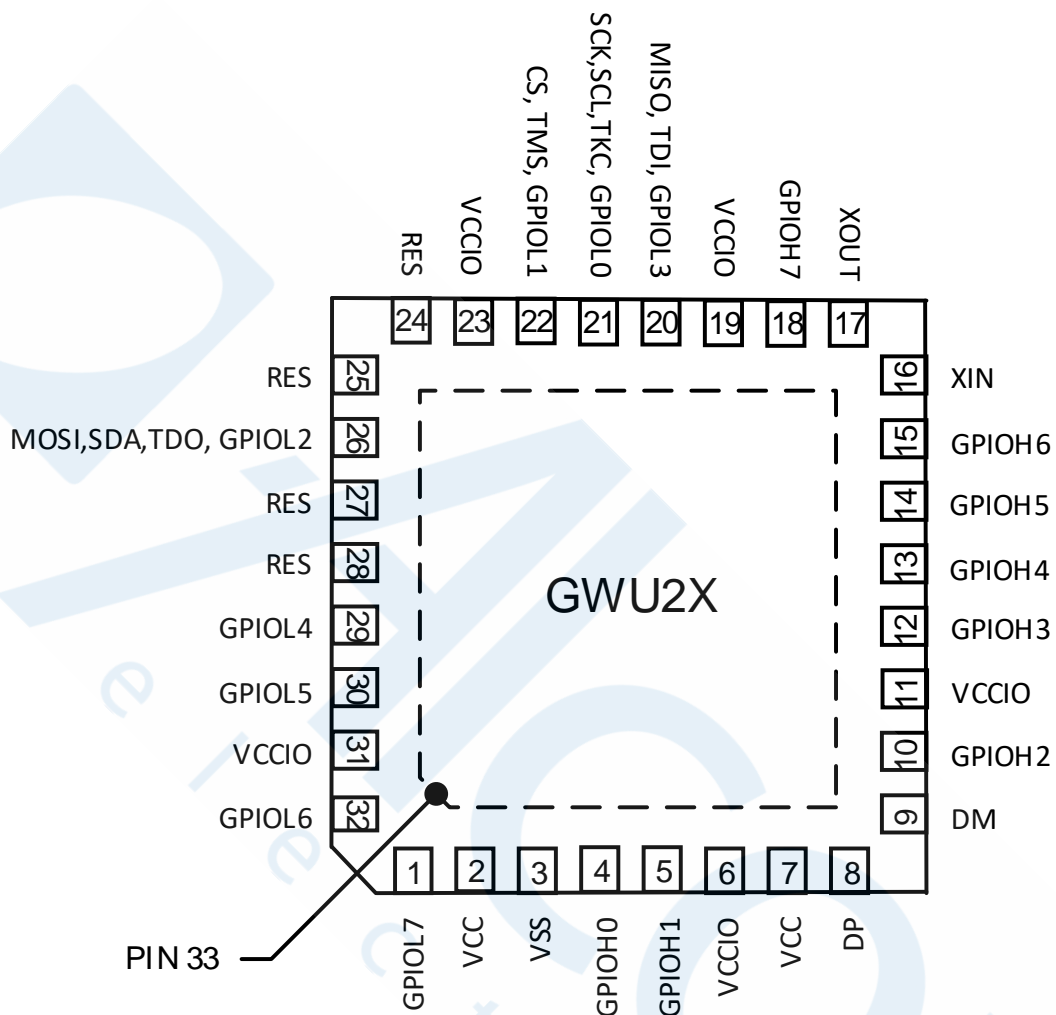
2 Package

GWU2X package information is described in Table 2-1 as below.

Table 2-1 Product Package Resources

Package	Pitch (mm)	Size (mm)
QN32	0.5	5 x 5

2.1 QN32 Pin Description

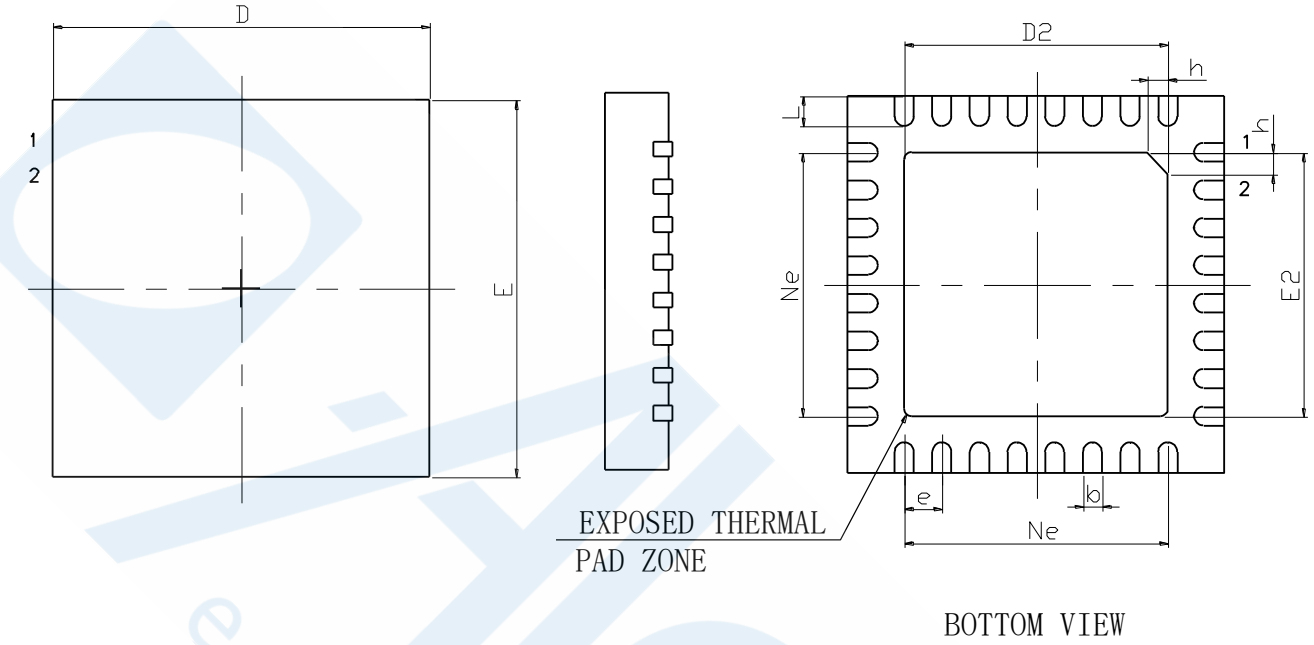


Pin Number	Pin Name	Type	Description
2, 7,	VCC	Power Supply	Power Input
6, 11, 19, 23, 31	VCCIO	Power Supply	Input/Output pin voltage
3, 33	VSS	Power Ground	Common Ground
16	XIN	Clock	Input of crystal oscillation, external crystal and oscillator capacitor
17	XOUT	Clock	Reverse output of crystal oscillation, external crystal and oscillator capacitor
8	DP	Two-Way	USB Data signal D+; 1.5K pull-up resistor needs to be connected

Pin Number	Pin Name	Type	Description
9	DM	Bidirectional	USB data signal D-
21	SCK	Output	SPI serial clock output
	SCL	Output	I ² C serial clock output
	TCK	Output	JTAG serial clock output
	GPIOL0	Two-Way	Bidirectional port L0
22	CS	Output	SPI slave selection
	TMS	Output	JTAG test mode selection
	GPIOL1	Two-Way	Bidirectional port L1
26	MOSI	Output	SPI main device data transmission.
	SDA	Two-Way	I2C serial data
	TDI	Output	JTAG main device test data output
	GPIOL2	Two-Way	Bidirectional port L2
20	MISO	Input	SPI main device data reception
	TDO	Input	JTAG main device test data reception
	GPIOL3	Two-Way	Bidirectional port L3
29	GPIOL4	Two-Way	Bidirectional port L4
30	GPIOL5	Two-Way	Bidirectional port L5
32	GPIOL6	Two-Way	Bidirectional port L6
1	GPIOL7	Two-Way	Bidirectional port L7
4	GPIOH0	Two-Way	Bidirectional port H0
5	GPIOH1	Two-Way	Bidirectional port H1
10	GPIOH2	Two-Way	Bidirectional port H2
12	GPIOH3	Two-Way	Bidirectional port H3
13	GPIOH4	Two-Way	Bidirectional port H4
14	GPIOH5	Two-Way	Bidirectional port H5
15	GPIOH6	Two-Way	Bidirectional port H6
18	GPIOH7	Two-Way	Bidirectional port H7
24, 25, 27, 28	RES		Reserved port. Need to be left floating

2.2 QN32 Package Outline

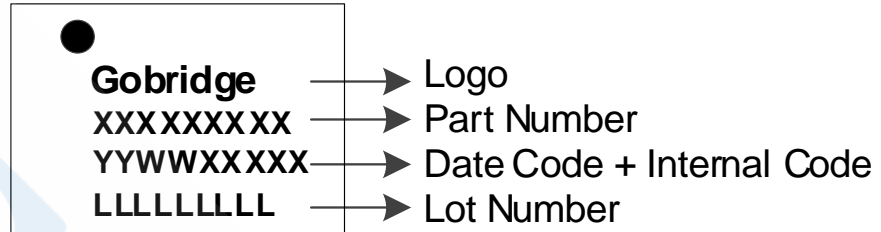
Figure 2-1 QN32 Package Outline



SYMBOL	MILLIMETER		
	MIN	NOM	MAX
A	0.70	0.75	0.80
A1	0	0.02	0.05
b	0.18	0.25	0.30
c	0.18	0.20	0.25
D	4.90	5.00	5.10
D2	3.40	3.50	3.60
e	0.50BSC		
Ne	3.50BSC		
E	4.90	5.00	5.10
E2	3.40	3.50	3.60
L	0.35	0.40	0.45
h	0.30	0.35	0.40

2.3 Package Marking

Figure 2-2 Package Mark Meaning



3 Function Description

3.1 Hardware Description

- Both VCC and VCCIO need to be provided for the GWU2X chip to work normally. It is suggested to connect a power decoupling capacitor with a capacity of $0.01\mu\text{F} \sim 0.1\mu\text{F}$ to the power pin of each chip. The synchronous serial interface voltage can be adjusted dynamically through VCCIO, with the range of $1.8\text{V} \sim 3.3\text{V}$.
- 12MHz clock signal to the XIN pin provided by an external active crystal oscillator is required for the GWU2X chip to work normally. In general, the clock signal is generated by the built-in inverter in GWU2X through the crystal oscillator with stable frequency. The peripheral circuit only needs to connect a 12MHz crystal between the XIN and XOUT pins and connect oscillating capacitors to the ground for the XIN and XOUT pins respectively.
- GWU2X chip has built-in power on reset circuit, and no external reset is required.
- The USB port of GWU2X chip has no built-in pull-up resistor, and additional 1.5K pull-up resistor needs to be provided at the DP end. It is recommended to connect the insurance resistor or inductor or ESD protection device in series for safety, and the AC-DC equivalent series resistance should be within 5Ω .
- Some pins of GWU2X chip have multiple functions, so they have different characteristics during the chip reset and in the normal working state after reset. All pins with a tri-state output have a built-in pull-up resistor. This kind of pin acts as an output pin after the chip is reset and runs the firmware. During the chip reset, tri-state output is prohibited and the built-in pull-up resistor provides the pull-up current. If necessary, the external circuit can provide an external pull-up resistor or pull-down

resistor to set the relevant pin's default level during the reset of the GWU2X chip. The resistance value of the external pull-up resistor or pull-down resistor is usually between $2K\Omega$ and $5K\Omega$.

3.2 GPIO Interface

GWU2X provides 16 GPIO pins, all of which can be independently configured as output or input.

3.3 Synchronous Serial Interface

GWU2X synchronous serial port is an active serial port, which can only be used as Host/Master. Its internal Protocol Engine Control module and the external computer driver can be applied to implement I2C serial port, SPI serial port and JTAG serial port.

3.3.1 I²C

The main pins of I²C serial port include SCL pin and SDA pin. SCL is used for one-way output synchronous clock, open leak output and built-in pull up resistance. SDA is used for quasi-two-way data input and output, open leak output and input, and built-in pull up resistance.

The basic elements of I²C serial timing include: start bit, stop bit, bit output, bit input, byte output, and byte input.

3.3.2 SPI

The main pins of SPI serial port include SCK pin, MISO pin, MOSI pin, and the chip selection pin of CS. SCK is used for one-way output synchronous clock, MISO is used for one-way input data, MOSI is used for one-way output data, and the chip selector pin of CS is used for device selection.

3.3.3 JTAG

The main pins of JTAG serial port include TMS pin, TDI pin, and TDO pin. TMS is used for mode selection, TCK is used for output synchronous clock, TDI is used for output test data, and TDO is used for input test data.

The timing sequence of JTAG serial port follows IEEE1149.1 protocol, allowing data changes on TMS, TDI and TDO signals when TCK signal falls from high to low. At the time of TCK rising edge, the data on TMS, TDI and TDO signals will remain unchanged, so as to facilitate sampling of TMS, TDI

and TDO signals with the rising edge of TCK signals



4 Driver

For the detailed information, please refer to:

- [UG1002-1.0 GWU2X Programming Guide U2X IIC](#),
- [UG1003-1.0 GWU2X Programming Guide U2X JTAG](#)
- [UG1004-1.0 GWU2X Programming Guide U2X SPI](#).

5 Devices Characteristics and Ratings

5.1 Absolute Max. Ratings

Table 5-1 Absolute Max. Ratings

Parameter	Description	Min.	Max.	Unit
TA	Ambient temperature during work	-40	85	°C
TS	Ambient temperature during storage	-65	150	°C
VCC	Power voltage	-0.5	3.75	V
VCCIO	Input/Output pin voltage	-0.5	3.75	V

5.2 Electrical Characteristics

Table 5-2 Electrical Characteristics

Parameter	Description	Min.	Typ.	Max.	Unit
VCC	Power voltage	-	3.3	-	V
VCCIO	Input/Output pin voltage	1.8	-	3.465	V
Icc1	Total power supply current during operation	-	35	-	mA
VIL	Low-level input voltage	-0.3	-	0.35*VCCO	V
VIH	High-level input voltage	0.65*VCCO	-	3.6	V
VOL	Low-level output	-	-	0.4	V

Parameter	Description	Min.	Typ.	Max.	Unit
	voltage				
VOH	High-level output voltage	VCCO-0.4	-	-	V
UVOL	Low-level output voltage of USB		-	0.4	V
UVOH	High-level output voltage of USB	2.8	-	-	V
UVse	Single-ended receiving threshold	0.8	-	2.0	V
UCom	common-mode voltage range	0.8	-	2.5	V
UVDif	Differential signal sensitivity	0.2	-		V

5.3 Timing Parameters

Table 5-3 Timing Parameters

Parameter	Description	Min.	Typ.	Max.	Unit
FCLK	The Input clock signal frequency of the XIN pin	-	12	-	MHz
TPR	Reset time of power on	-	5	-	ms

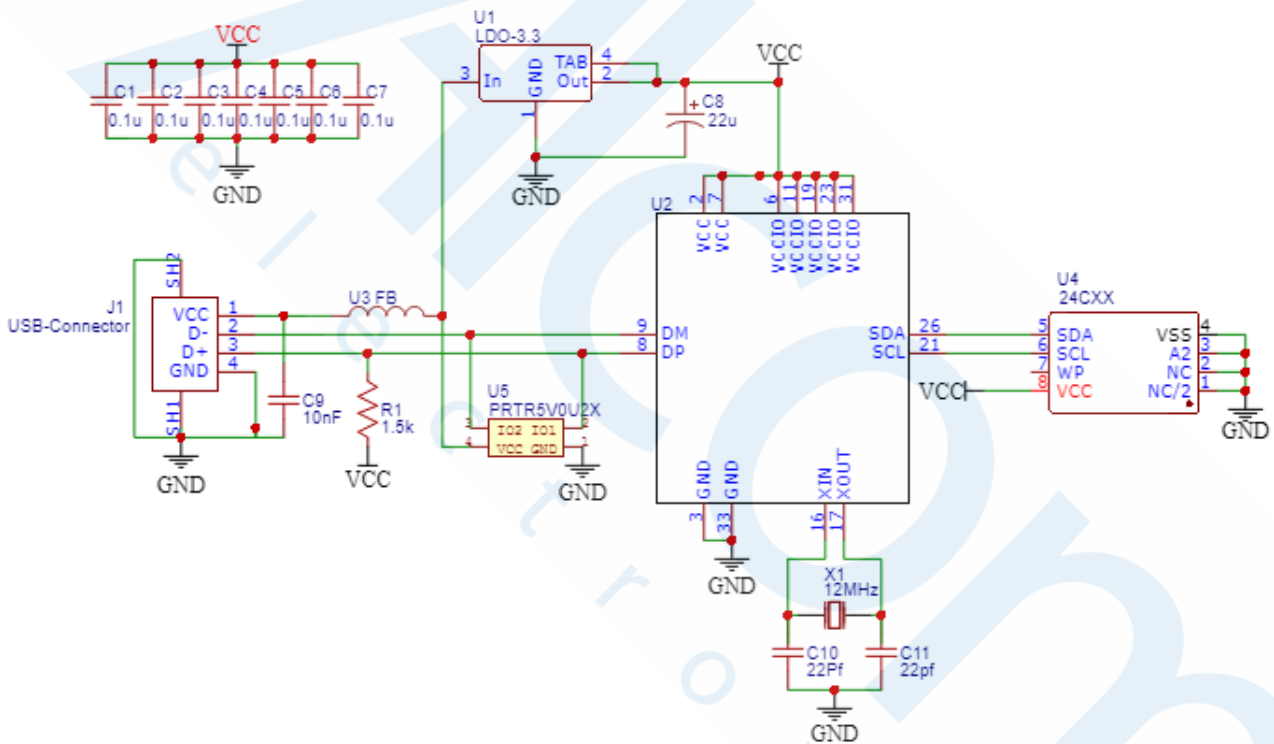
5.4 ESD Parameters

Table 5-4 ESD Paramrtrs

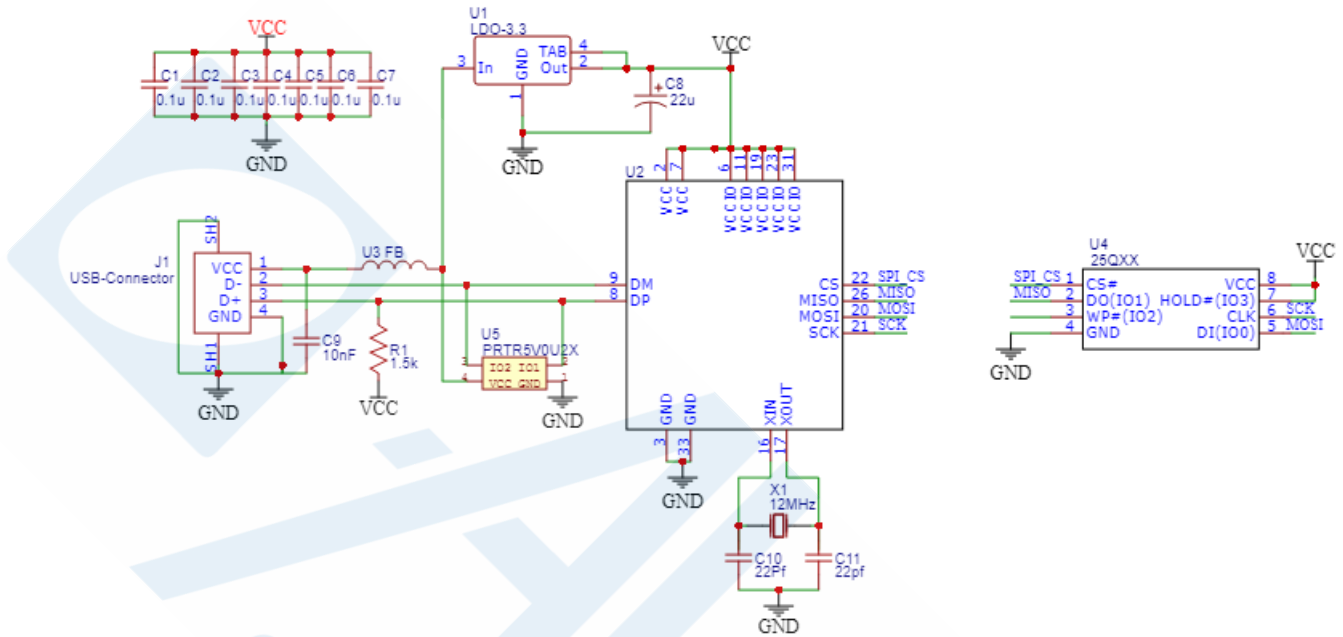
Parameter	Description	Min.	Typ.	Max.	Unit
HBM	Human Body Model	1000	-	-	V
CDM	Charged Device Model	500	-	-	V

6 Typical Applications

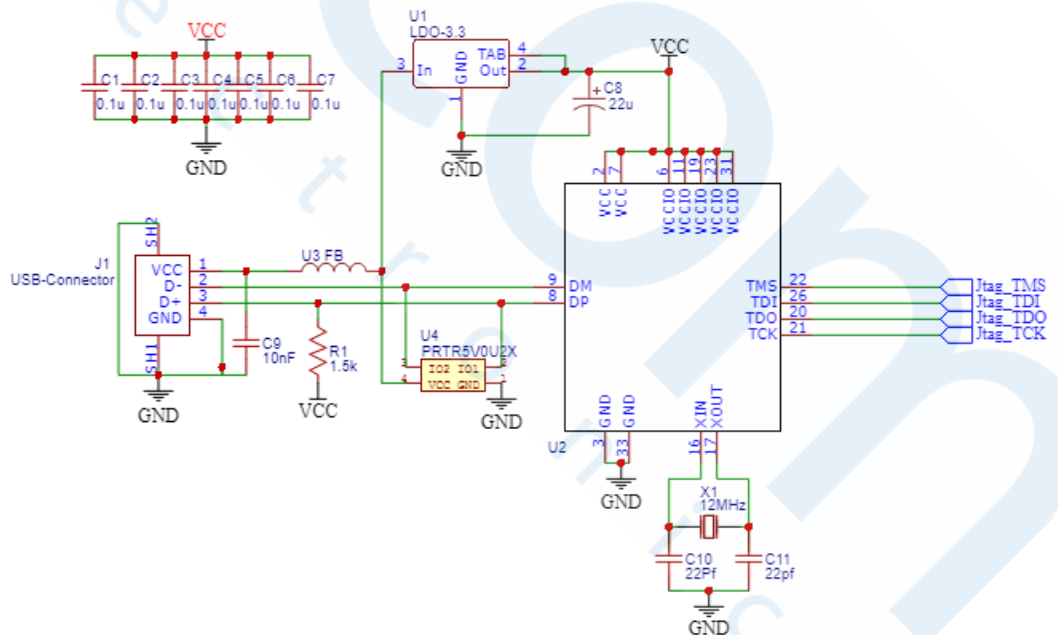
6.1 I²C Application



6.2 SPI Application



6.3 JTAG Application



Terminology and Abbreviations

The terminology and abbreviations used in this manual are as shown in .

Table A -1 Terminology and Abbreviations

Terminology and Abbreviations	Full Name
ASSP	Application Specific Standard Product
JTAG	Joint Test Action Group
I ² C	Inter-Integrated Circuit
SPI	Serial Peripheral Interface
GPIO	Gowin Programmable I/O
QN	Quad Flat No-lead Package
ESD	Electronic Static Discharge

Support and Feedback

Gowin Semiconductor provides customers with comprehensive technical support. If you have any questions, comments, or suggestions, please feel free to contact us directly by the following ways.

Website: www.gowinsemi.com

E-mail: support@gowinsemi.com



e - e l e c t r o n i c s



Singel 3 | B-2550 Kontich | Belgium | Tel. +32 (0)3 458 30 33
info@alcom.be | www.alcom.be
Rivium 1e straat 52 | 2909 LE Capelle aan den IJssel | The Netherlands
Tel. +31 (0)10 288 25 00 | info@alcom.nl | www.alcom.nl