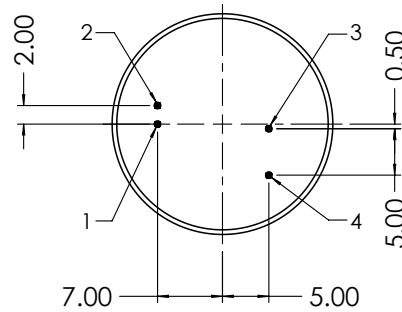
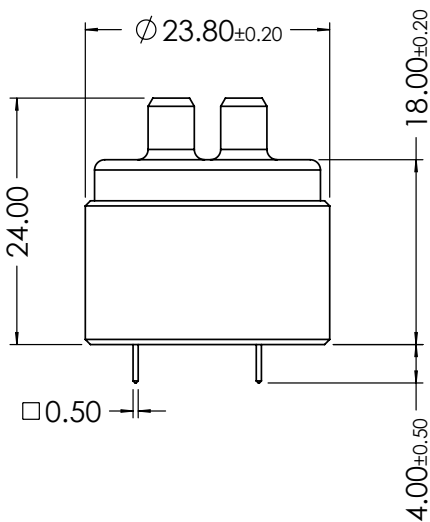
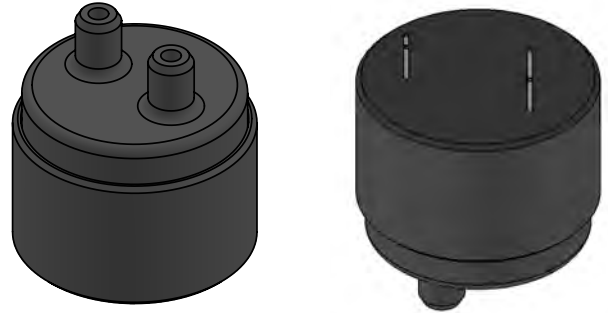
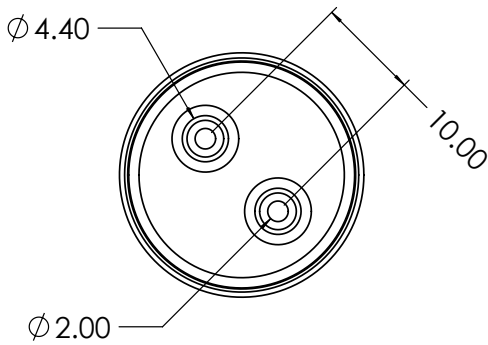


## SprintIR®-R

### Mechanical Diagram



### Pin Out Description

Pin	Name	Type	Description
1	Rx_In	Digital Input	UART receive input
2	Tx_Out	Digital Output	UART transmit output
3	0V	Supply	Sensor ground
4	V+	Supply	Sensor supply voltage