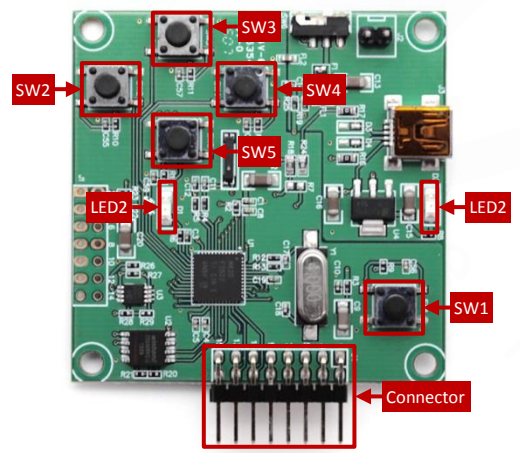




Quick start guide for Hulk 5.65" E Ink Gallery Palette™ 4000

Panel and HULK EVK Connection SOP

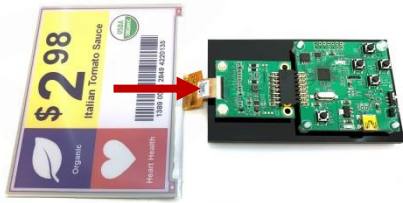
Demo Kit Hardware Description



Button	Function
SW1	Reset
SW2	Next image
SW3	White image
SW4	Previous image
SW5	Slide Show Mode

Assembly and Operating Instructions

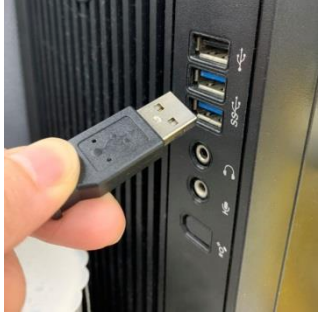
① Attach the 5.65" panel to Hulk



② Connect the mini-USB to Hulk



③ Connect the mini-USB to USB power



④ Press **SW2** Next image

⑤ Press **SW3** White image

⑥ Press **SW4** Previous image

⑦ Press **SW5** Slide Show Mode

Disassembly Instructions

① Disconnect the mini-USB from USB power

② Disconnect the mini-USB from Hulk

③ Detach the 5.65" panel from Hulk

