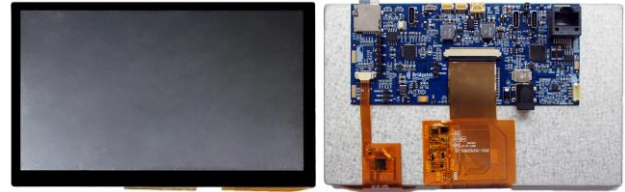


Bridgetek Pte Ltd

IDM2040-7A

Datasheet



1 Introduction

The IDM2040-7A is an intelligent display module featuring a 7" 800x480 capacitive touch panel. The module carries the latest generation EVE4 controller BT817 supported by a low-cost high performance RP2040 microcontroller. The on-board RS485 transceiver allows communication with Long Distance Sensor Bus (LDSBus) devices or DMX512 devices through Cat 5/6 cables over an RJ45 connector. The input power supply can be either a Type-C PD charger or a PSU via the DC-jack. The Type-C PD port is controlled by FTDI's latest PD controller FT232HP, with PD sink profile programmable through the FTDI utility FT_PROG.

With the use of a Raspberry Pi MCU RP2040, the IDM2040-7A module allows easy programming with various circuitpython or micropython libraries.

1.1 Features

- BT817 latest generation EVE controller.
- FT232HP: high speed USB connectivity with embedded USB PD support.
- RP2040 MCU with 8 MB on-board flash memory programmable with Circuit Python (libraries provided).
- BRT LDSBus connectivity to a wide range of long distance sensors and actuators (libraries provided).
- USB type C connectivity throughout for connection reliability.
- DMX512 supported for lighting control displays.
- Supports 7" 800x480 LCD with capacitive touch screen.
- On board 16MB NOR Flash for EVE assets.
- On board audio power amplifier and audio connector for external speaker and audio line in.
- RJ45 connector for controlling LDSBus or DMX512 devices.
- Type-C port for RP2040 USB DFU or debug.
- Type-C port for FT232HP USB serial converter.
- Type-C port for USB PD charger up to 20V.
- DC-jack for up to 24V PSU.
- Micro-SD card socket.
- 2x Stemma QT (QWIIC) I2C peripheral sockets.
- SPI pin headers for Adafruit Wi-Fi module or other peripherals.
- Hardware RESET button.
- RP2040 DFU button.

Neither the whole nor any part of the information contained in, or the product described in this manual, may be adapted or reproduced in any material or electronic form without the prior written consent of the copyright holder. This product and its documentation are supplied on an as-is basis and no warranty as to their suitability for any particular purpose is either made or implied. Bridgetek Pte Ltd will not accept any claim for damages howsoever arising as a result of use or failure of this product. Your statutory rights are not affected. This product or any variant of it is not intended for use in any medical appliance, device or system in which the failure of the product might reasonably be expected to result in personal injury. This document provides preliminary information that may be subject to change without notice. No freedom to use patents or other intellectual property rights is implied by the publication of this document. Bridgetek Pte Ltd, 178 Paya Lebar Road, #07-03, Singapore 409030. Singapore Registered Company Number: 201542387H

2 Ordering Information

Part No.	Description
IDM2040-7A	Intelligent Display Module 7 inch for LDSBus/DMX controller

Table of Contents

1	Introduction	1
1.1	Features	1
2	Ordering Information	2
3	Hardware Description	5
3.1	IDM2040-7A Module	5
3.2	Power supply	7
3.3	Raspberry Pi RP2040 MCU	8
3.4	The Connectors & Hardware Reset Button	8
4	Specifications	12
4.1	Electrical Specifications	12
4.2	Display Specifications	12
4.3	Optical Specifications	13
5	Board Schematics	14
6	Mechanical Dimensions	17
6.1	IDM2040-7A Board PCB Dimensions	17
7	Hardware Setup Information	18
7.1	Power Delivery Setup	18
7.2	Control DMX512 Device Network	19
7.3	Control LDSBus Sensor Network	20
8	Software Setup Information	21
8.1	C/C++ SDK Setup	21
8.2	MicroPython SDK Setup	22
8.3	Circuitpython SDK Setup	23
8.4	Bridgetek CircuitPython SDK Setup	24
9	Disclaimer Notice: Use of Third-Party Software or Websites	25
10	Contact Information	26

Appendix A – References.....	27
Document References.....	27
Acronyms and Abbreviations	27
Appendix B – List of Tables & Figures.....	28
List of Tables	28
List of Figures	28
Appendix C – Revision History.....	29

3 Hardware Description

3.1 IDM2040-7A Module

The IDM2040-7A module consists of a 7" 800x480 capacitive touch LCD with HB_026 PCBA mounted to the LCD back frame. The size of the module is 165mm X 100mm X 21mm.

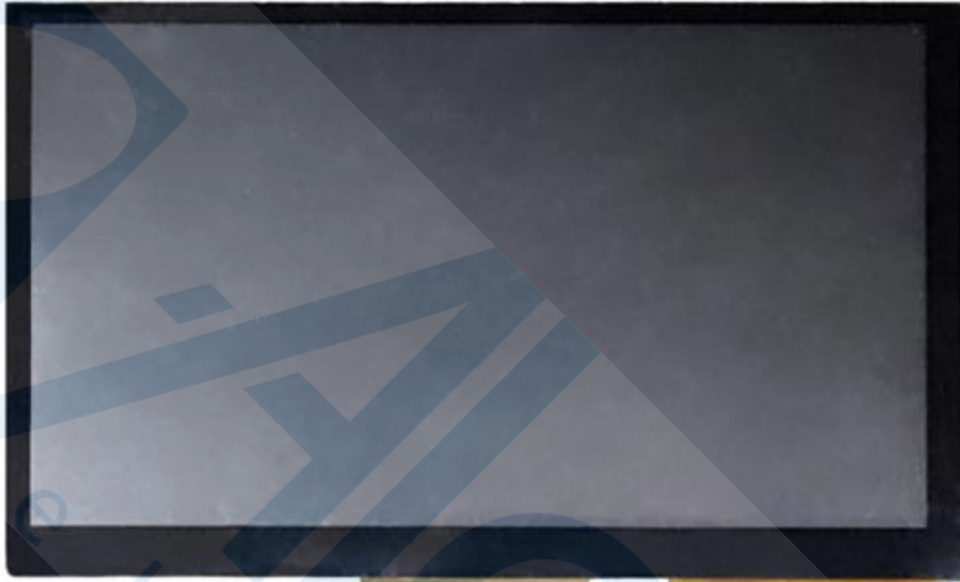


Figure 1 - IDM2040-7A Module - Top View



Figure 2 - IDM2040-7A Module - Bottom View

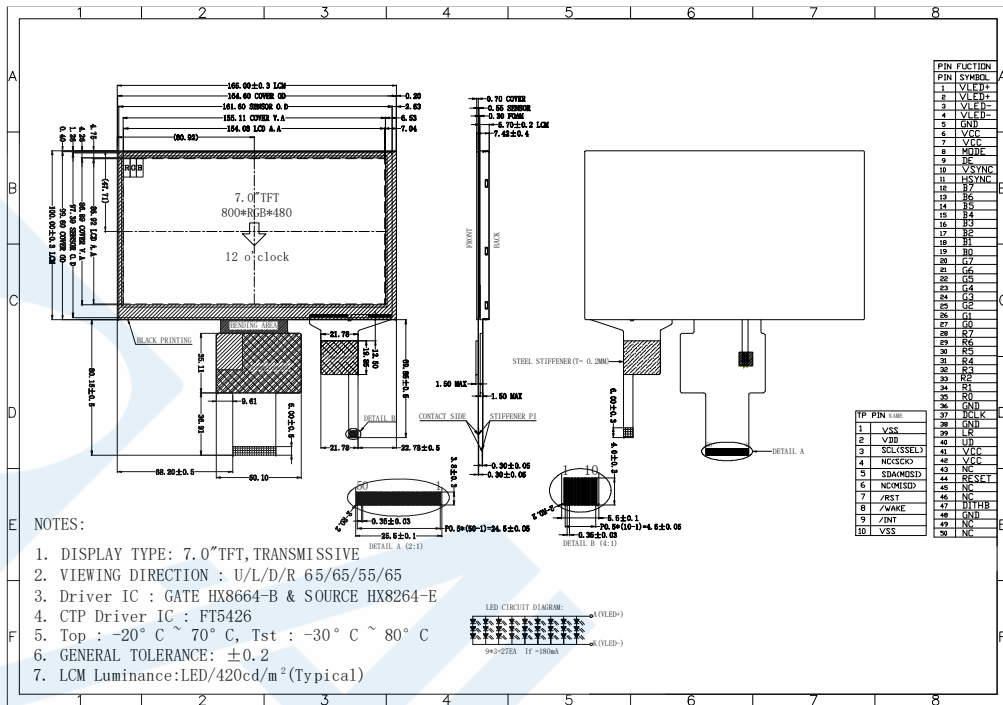
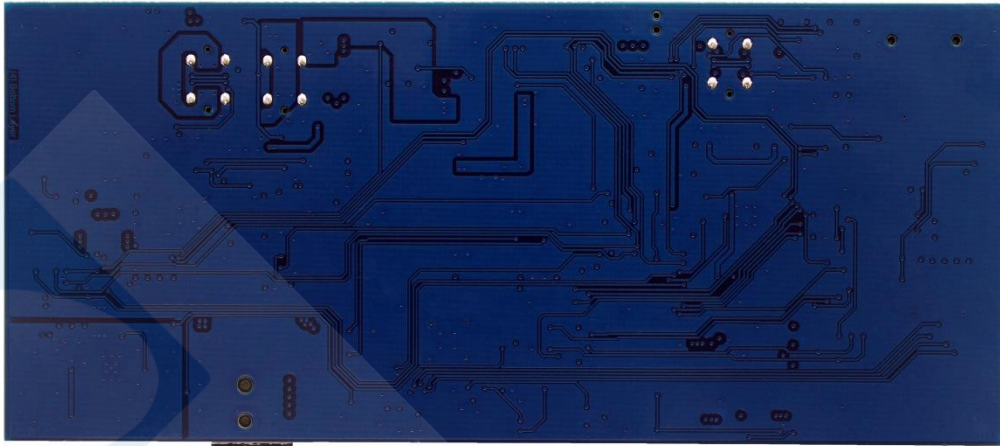


Figure 3 – 7 inch LCD Dimension



Figure 4 - IDM2040-7A Board - Top View

**Figure 5 - IDM2040-7A Board – Bottom View****Key Features:**

- ❖ Micro-SD card socket
- ❖ Raspberry Pi RP2040 MCU
- ❖ Type-C USB connector
- ❖ Hardware Reset Button
- ❖ Two 4-position 1mm pitch JST male connectors (Stemma QT/ QWIIC) for I2C peripheral interface
- ❖ One 2-position 2mm pitch JST male connector for PD Load
- ❖ One 2-position 2.54mm pitch male Harwin header for BUS snooping
- ❖ One USB Type-C connector for 20.0V PD charger
- ❖ One USB Type-C connector for PC Debugging (Python Input/Output)
- ❖ One RJ45 connector for LDSBus and DMX512 application
- ❖ One 4-position 1.50mm JST male connector for audio filter and amplifier
- ❖ FT232HPQ chip for PD controller and USB serial communication
- ❖ One DC jack connector for DC input from PSU
- ❖ One 50-pin 0.50mm pitch FPC connector for LCD interface
- ❖ BT817Q chip for graphics, touch and audio controller
- ❖ One 3-position 2.54mm Harwin male header for ADC peripheral interface
- ❖ One 3-position 2.54mm Harwin male header for SWD interface
- ❖ One 9-position 2.54mm Harwin male header for SPI peripheral interface
- ❖ One 10-pin 0.50mm pitch FPC connector for capacitive touch screen

3.2 Power supply

There are various options for easily powering the IDM2040-7A board as listed below –

- 24V DC input coming from PSU – CN18
- 20V from USB Type-C PD charger – CN12
- 5V USB Type-C PC debug connector - CN13A
- 5V USB Type-C serial converter connector - CN13.

All of these input options will go to the DC-DC Buck switching regulator to output 3.3V for the entire system.

For applications where an LDSBus device or DMX512 device is connected, either 20V PD power or 24V DC power is required.

3.3 Raspberry Pi RP2040 MCU

Raspberry Pi RP2040 micro-controller unit (MCU) with the following key features:

- Dual ARM Cortex-M0+ @ 133MHz
- 264kB on-chip SRAM in six independent banks
- Support 8MB of on-board Flash memory via dedicated QSPI bus
- Type-C USB port supporting USB2.0 Full-speed device function; reprogramming the Flash can be achieved by simply dragging and dropping a file onto the RP2040 which appears as a mass storage device.
- 26 multi-function 3.3V General Purpose I/O (GPIO) with 23 GPIOs being digital-only and 3 ADC-capable GPIOs.
- 3-pin ARM Serial Wire Debug (SWD) port; the standard Serial Wire Debug (SWD) port can reset the system and load and run code without any button presses as well as for debugging purpose.

For full details of the Raspberry Pi RP2040 MCU, please refer to the [RP2040 Datasheet](#).

3.4 The Connectors & Hardware Reset Button

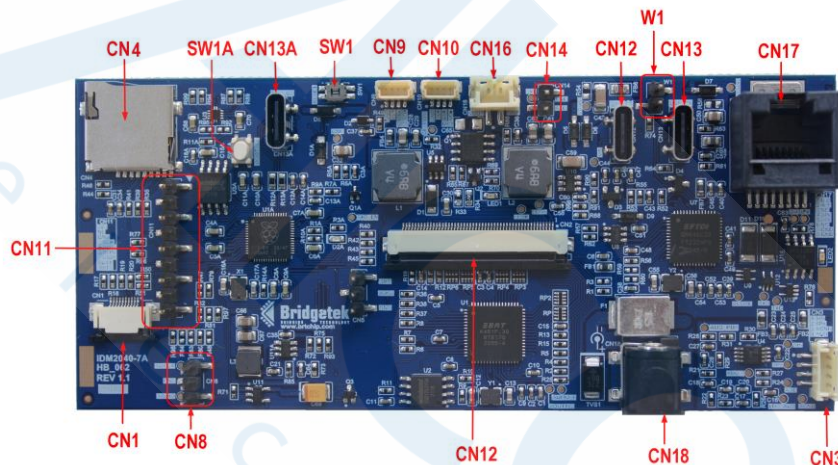


Figure 6 – Connectors of IDM2040-7A

The connectors and the hardware reset button are described in the following sections.

Note: All GP(IO)s stated as below can also be configured as PIO or PWM.

- **CN1** is a 10-pin FPC connector for capacitive touch panel.
- **CN3** is a 4-position connector header for audio output to a speaker and external audio line-in input.

Pin No.	Name	Type	Description
1	SP-	O	Audio output for speaker
2	SP+	O	Audio output for speaker
3	GND	P	Ground
4	AUD	I	Audio line-in input

Table 1 - CN3 Pinout

- **CN4** is a Micro SD card socket which is supporting SPI-single mode. The physical interface supports the card detection.
- **CN5** is a 3-position vertical pin header connector for power (3.3V) and ADC input or it could also be configured as GPIO port.

Pin No.	Name	Type	Description	Pin Configurable Function
1	VCC3V3	P	DC power supply (3.3V)	-
2	GP26/ADC0	I	by default, it is ADC0 input	GP26/ADC0/I2C1_SD A
3	GND	P	Ground	-

Table 2 - CN5 Pinout

- **W1** is a 2-position vertical pin header connector for choosing CN12 Power delivery or CN13 for communication with PC.

W1 status	Application
Short	CN13 is plugged to a USB host, CN12 is left open
Open	CN12 is plugged to a Type-C PD charger

Table 3 - W1 Function

- **CN8** is a 3-position vertical pin header connector for SWD interface.

Pin No.	Name	Type	Description	Pin Configurable Function
1	SWCLK	I	Serial Wire Debug, Clock	SWCLK
2	GND	P	Ground	-
3	SWDIO	I	Serial Wire Debug, I/O	SWDIO

Table 4 - CN8 Pinout

- **CN9 & CN10** are the Stemma QT/ QWIIC connectors for power (3.3V) and I2C interface.

Pin No.	Name	Type	Description	Pin Configurable Function
1	GND	P	Ground	-
2	VCC3V3	P	DC power supply (3.3V)	-
3	CN9: I2C0_SDA CN10: I2C1_SDA	I/O	I2C Serial Bus, Data Line	CN9: GP20/I2C0_SDA CN10: GP18/SPI0_SCK/I2C1 _SDA
4	CN9: I2C0_SCL CN10: I2C1_SCL	O	I2C Serial Bus, Clock Line	CN9: GP21/I2C0_SCL CN10: GP19/SPI0_TX/I2C1_ SCL

Table 5 - CN9 7 & CN10 Pinout

- **CN11** is the 9-position vertical pin header connector for power (3.3V) and SPI interface. The SPI bus signals are shared with Micro-SD card except for the chip select signal.

Pin No.	Name	Type	Description	Pin Configurable Function
1	VCC3V3	P	DC power supply (3.3V)	-
2	-	-	NC	-
3	GND	P	Ground	-
4	SPI1_SCK	O	SPI1 clock output	GP10/SPI1_SCK/I2C1 _SDA

5	SPI1_MISO	I	SPI master input, slave output.	GP12/SPI1_RX/I2C0_SDA/UART0_TX
6	SPI1_MOSI	O	SPI master output, slave input.	GP11/SPI1_TX/I2C1_SCL
7	SPI1_CS2#	O	SPI Chip Select output for external SPI peripheral device, active low. On board 10kΩ pull-up to 3.3V.	GP22
8	BUSY	I	Reserve for AdafruitAirLift Breakout Wi-Fi module	GP14
9	RESET#	O	Reserve for AdafruitAirLift Breakout Wi-Fi module	GP15

Table 6 – CN11 Pinout

- **CN12** is a USB type C receptacle connector used for FT232HPQ (U7) to negotiate with USB PD power source to deliver the power as programmed in external EEPROM sink PDO profile (default 20V/3A). It is also as a power supply option for the board.
- **CN13** is a USB type C receptacle connector used for communication with PC. Use this port to program the EEPROM (U8) if needed. It can also be used for communication via USB to UART converter as a virtual com port, between RP2040 UART0 and PC host. Note that when CN12 is not connected to a Type-C PD charger, W1 jumper needs to be closed so that FT232HPQ can be detected as a USB device by PC host.
- **CN13A** is a USB type C receptacle connector used for RP2040 programming and debugging.
- **CN14** is used for monitoring the UART0 communication.

Pin No.	Name	Type	Description
1	GND	P	Ground
2	TTL_RXD	O	RP2040 UART0 communication (= UART0_TXD AND UART0_RXD)

Table 7 – CN14 Pinout

- **CN16** is Power delivery output from CN12 via load switch Q1. Maximum 20V @ 3A load can be connected.

Pin No.	Name	Type	Description
1	VOUT	P	Voltage output from CN12 USB type C VBUS
2	GND	-	Ground

Table 8 – CN16 Pinout

- **CN17** is RJ45 port for RS-485 communication, LDSBus sensor control, DMX512 device control. The polarity of RS-485 A/B signal can be controlled by RP2040 GP16. Set GP16 to logic Low for normal A/B operation (for LDSBus), set GP16 to logic High to switch A/B operation (for DMX512).

Pin No.	Name	Type	Description
1	B/Z	I/O	RS-485 inverting Drive Output/Receiver Input
2	A/Y	I/O	RS-485 Noninverting Drive Output/Receiver Input
3	NC	-	Not Connect
4	+24V	P	24V from CN18 or 20V from CN12 VBUS
5	+24V	P	24V from CN18 or 20V from CN12 VBUS
6	NC	-	Not Connect
7	GND	P	Ground
8	GND	P	Ground

Table 9 – CN17 Pinout

- **CN18** is used for external DC power supply input.

Pin No.	Name	Type	Description
Plug Inner	DC+	P	DC input, Inner diameter 2.5mm
Plug Outer	GND	P	Ground, Outer diameter 5.5mm

Table 10 – CN18 Pinout

- **SW1** is the hardware reset button. Push to reset MCU RP2040.
- **SW1A** is the BOOTSEL button to put the RP2040 MCU into programming mode to program the FLASH connected to RP2040 QSPI bus.

4 Specifications

4.1 Electrical Specifications

Parameter	Description	Minimum	Typical	Maximum	Units	Notes
VCC_24V	24V supply voltage	18	24	28	V	CN18
VBUS	supply voltage	4.5	20	22	V	CN12
VBUS	supply voltage	4.5	5.0	5.5	V	CN13
VBUS	supply voltage	4.5	5.0	5.5	V	CN13A
Icc1_3.3V	VCC=3.3V operating current	-	280	-	mA	With LCD and Backlight LED on
Icc2_3.3V	VCC=3.3V operating current	-	490	-	mA	Add 1W speaker
Voh	Output Voltage High	2.4	-	-	V	
Vol	Output Voltage Low	-	-	0.4	V	
Vih	Input High Voltage	2.0	-	-	V	
Vil	Input Low Voltage	-	-	0.8	V	
T	Operating temperature	-20	-	+70	°C	

Table 11 – Operating Voltage and Current

4.2 Display Specifications

Item	Spec	Units	Notes
LCD Type	TFT active matrix	-	
Display Colours	16.7M	-	
Display active area	154.0(H) * 85.92(V)	mm	7.0 inch diagonal
Number of Pixels	800(RGB)*480	dots	
Pixel pitch	0.135(H) * 0.135(V)	mm	
Backlight	3X9 white LEDs	-	
Touch screen	5-finger capacitive touch	-	

Table 12 – LCD and Touch Information

4.3 Optical Specifications

Item	Symbol	Condition	Min.	Typ.	Max.	Unit	Note	
Brightness	Bp	$\theta=0^\circ$ $\square=0^\circ$	-	420	-	Cd/m ²	1	
Uniformity	ΔBp		75	-	-	%	1,2	
Viewing Angle	3:00	$Cr \geq 10$	-	65	-	Deg	3	
	6:00		-	55	-			
	9:00		-	65	-			
	12:00		-	65	-			
Contrast Ratio	Cr	$\theta=0^\circ$ $\square=0^\circ$	300	500		-	4	
Response Time	Tr		-	10	-	ms	5	
	Tf		-	10	-	ms		
Color of CIE Coordinate	W	x		0.28		-	1,6	
		y		0.33		-		
	R	x		0.51		-		
		y		0.34		-		
	G	x	$\theta=0^\circ$ $\square=0^\circ$		0.31			-
		y			0.56			-
	B	x			0.15			-
		y			0.14			-
NTSC Ratio	S			50	60	-	%	

Table 13 – Optical Specifications

Note 1: The parameter is slightly changed by temperature, driving voltage and material

Note 2: The data are measured after LEDs are turned on for 5 minutes. LCM displays full white. The brightness is the average value of 9 measured spots. Measurement equipment PR-705 (Φ8mm) Measuring condition:

- Measuring surroundings: Dark room.
- Measuring temperature: Ta=25°C.

Adjust operating voltage to get optimum contrast at the center of the display. Measured value at the center point of LCD panel after more than 5 minutes while backlight turned on.

5 Board Schematics

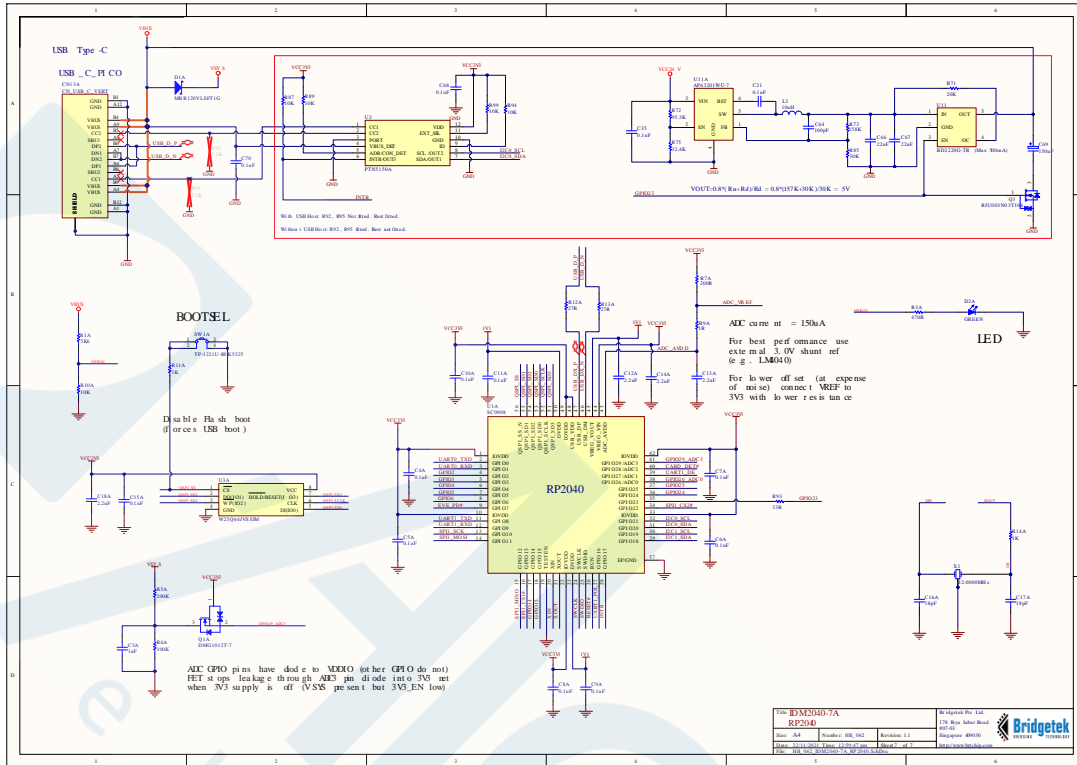


Figure 7 - RP2040 MCU Schematic

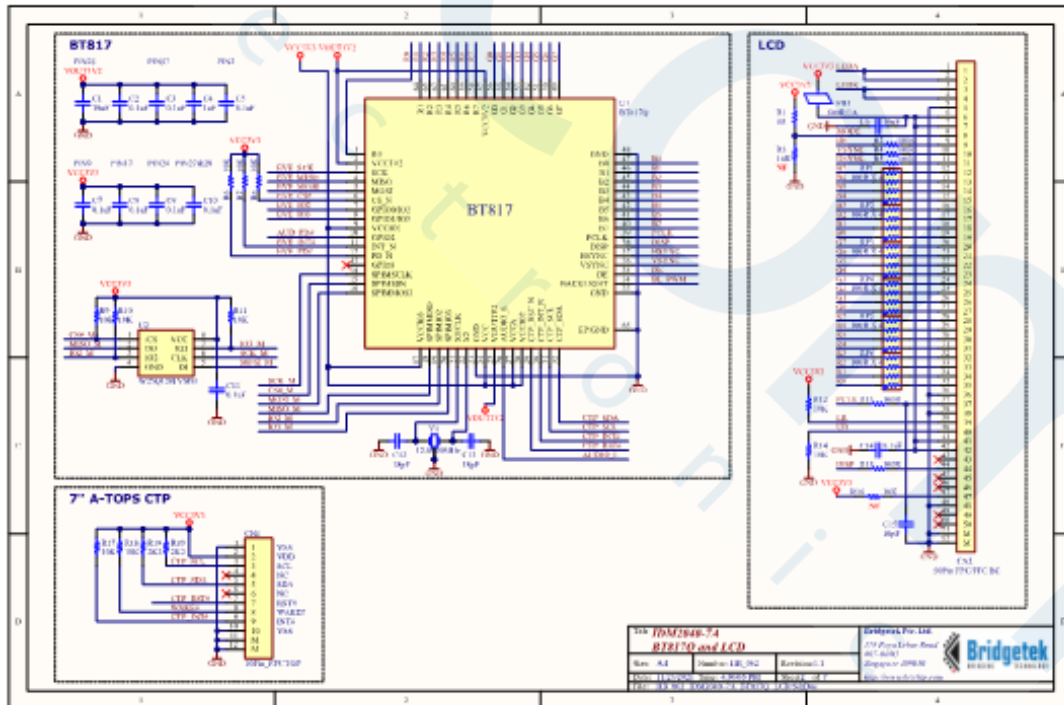


Figure 8 - BT817Q and LCD Schematic

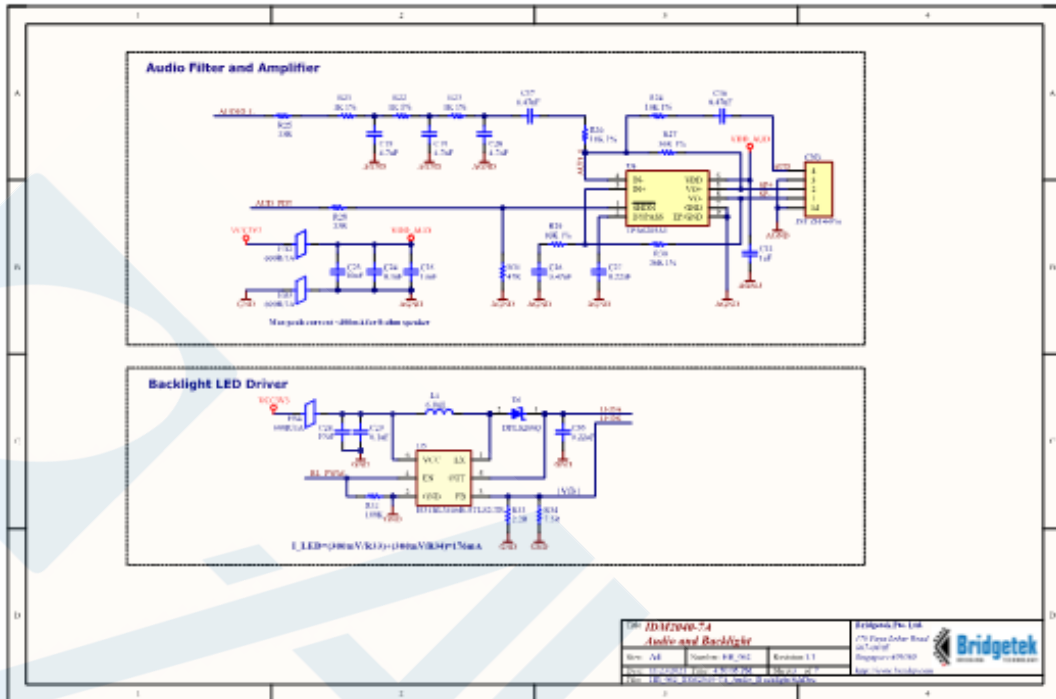


Figure 9 – Audio and Backlight Schematic

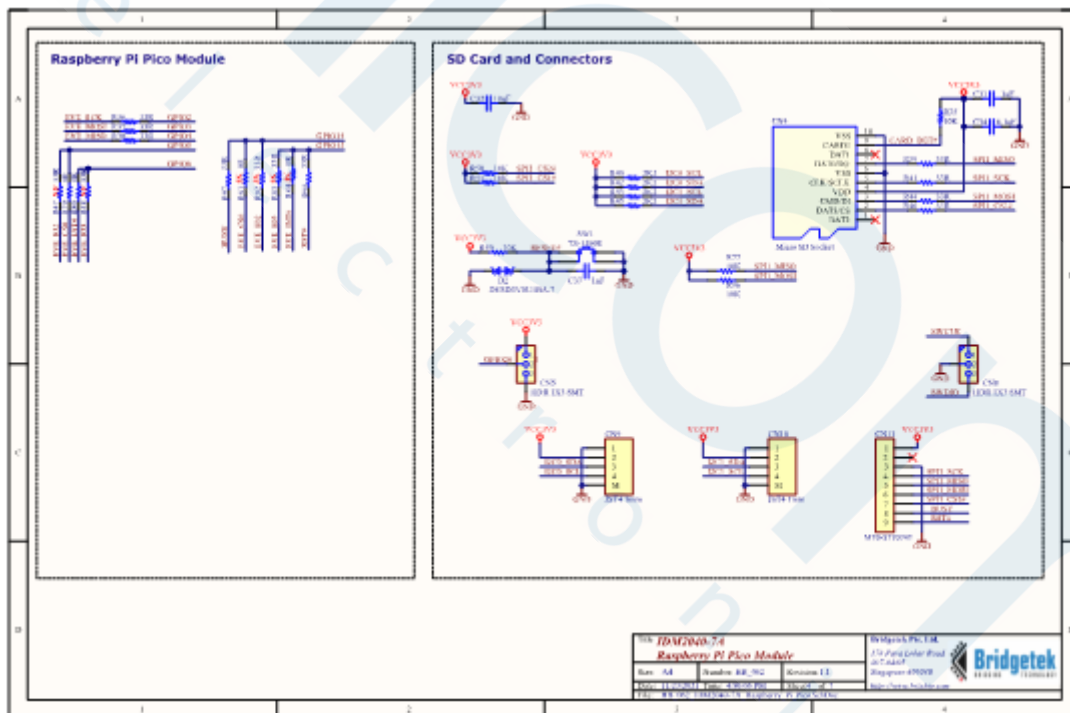


Figure 10 - RP2040 Peripheral Connectors Schematic

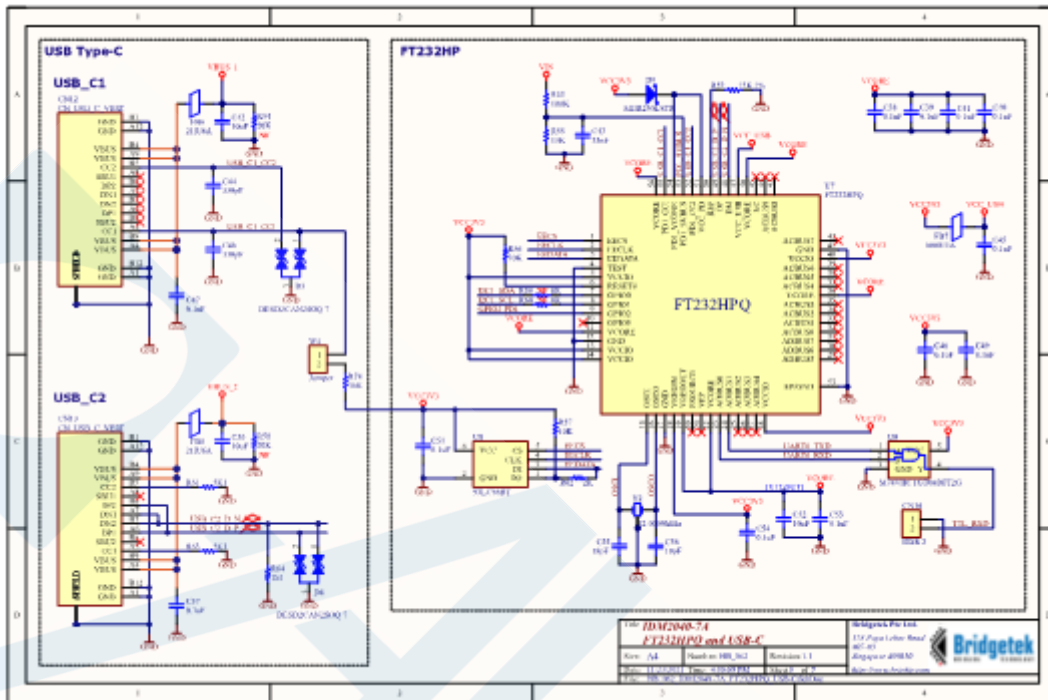


Figure 11 – FT232HP and USB-C Schematic

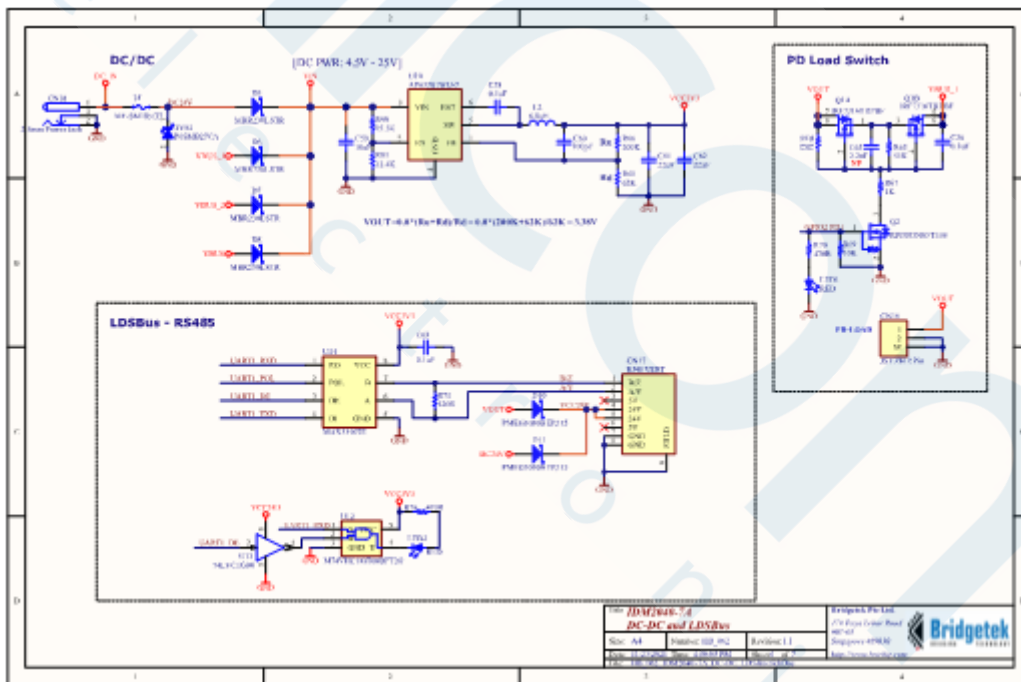


Figure 12 – DC-DC and LDSBus Schematic

6 Mechanical Dimensions

6.1 IDM2040-7A Board PCB Dimensions

All units are in millimeters (mm).

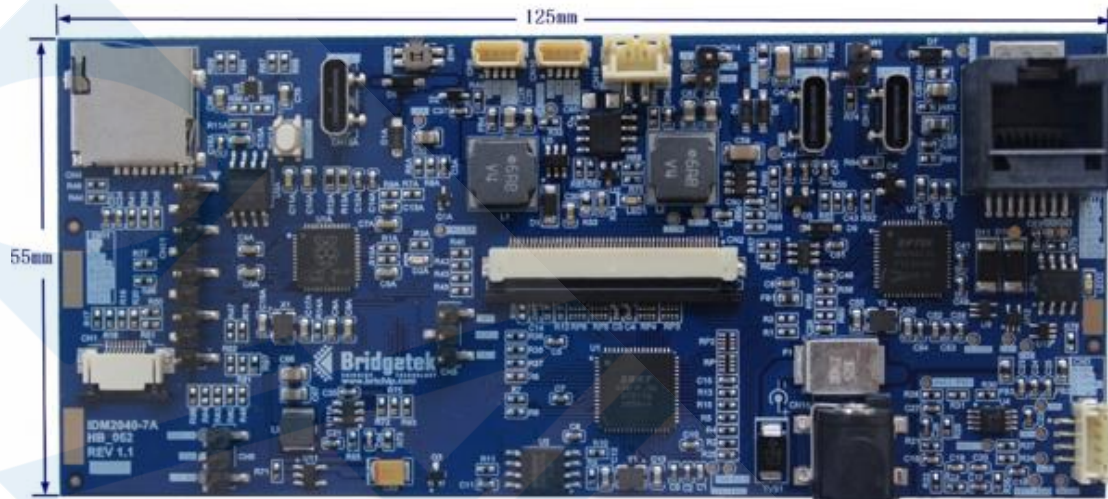


Figure 13 – IDM2040-7A Board PCB Dimensions (Top View)

7 Hardware Setup Information

7.1 Power Delivery Setup

- Download EEPROM Programming Utility FT_PROG from <https://ftdichip.com/utilities/>, then install FT_PROG on the PC.
- Make sure jumper W1 is shorted on the board.
- Use a USB cable connect CN13 type C port to PC.
- Run FT_PROG, click Scan and Parse button to find the device.
- Click PDO Configuration and fill in the power deliver voltage and current in BM PDO Sink table.
- The last setting will effect output, for Figure 14, the power delivery will be 20V/3A.

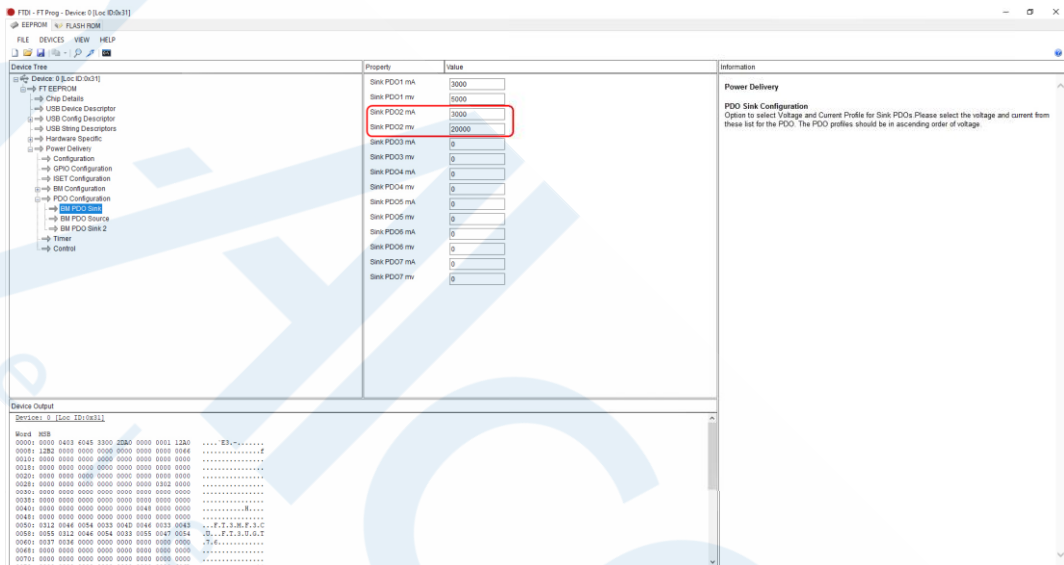


Figure 14 – Power Delivery Setting

- Use a type C to type C USB cable connect the power charger USB port to CN12 type C port on the board, U7, FT232HPQ will negotiate with the power charger and request to deliver 20/3A as configured in the above setting.
- PIN 1 of CN16 and PIN4, PIN5 of CN17 will output 20V, current output maximum 3A.
- Recommend power charger:

Brand: UG Green	Model: CD224
Brand: Wiredix	Model: WD-PD65AC

7.2 Control DMX512 Device Network

- Use a standard RJ45 cable connect CN17 to the RJ45 port of DMX512 device.
- UART1 baud rate set at 250000 bits/s.
- When sending a command to a DMX512 device, set UART1_POL(GP16) to logic high to switch the output polarity to match with the polarity of RJ45 port of DMX512 device.

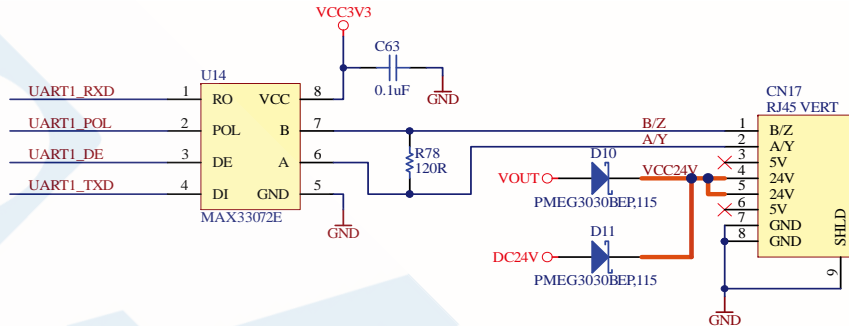


Figure 15 – RS-485 Transceiver with Polarity Control

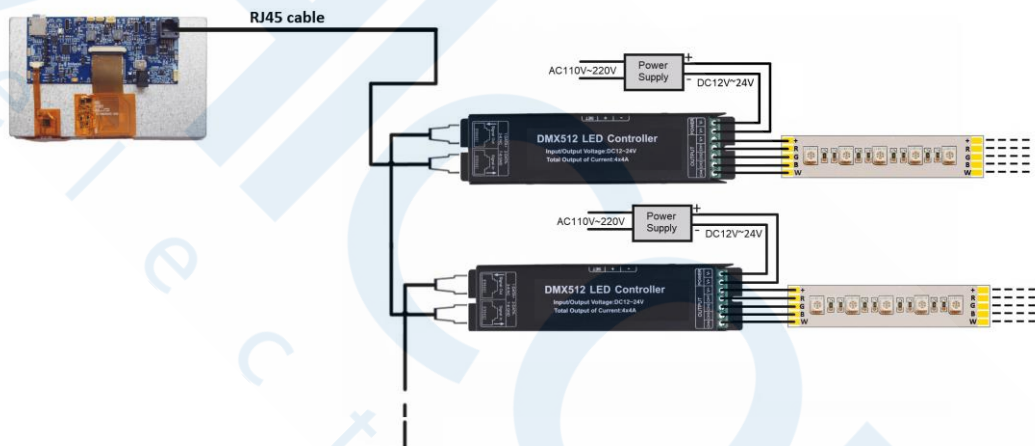


Figure 16 – IDM2040-7A Module Connection to DMX512 Device

7.3 Control LDSBus Sensor Network

- Using a standard RJ45 cable, connect CN17 to the RJ45 port of the Bridgetek HVT and connect an LDSBus sensor such as the 4 in 1 sensor etc.
- UART1 baud rate set at 230400 bits/s.

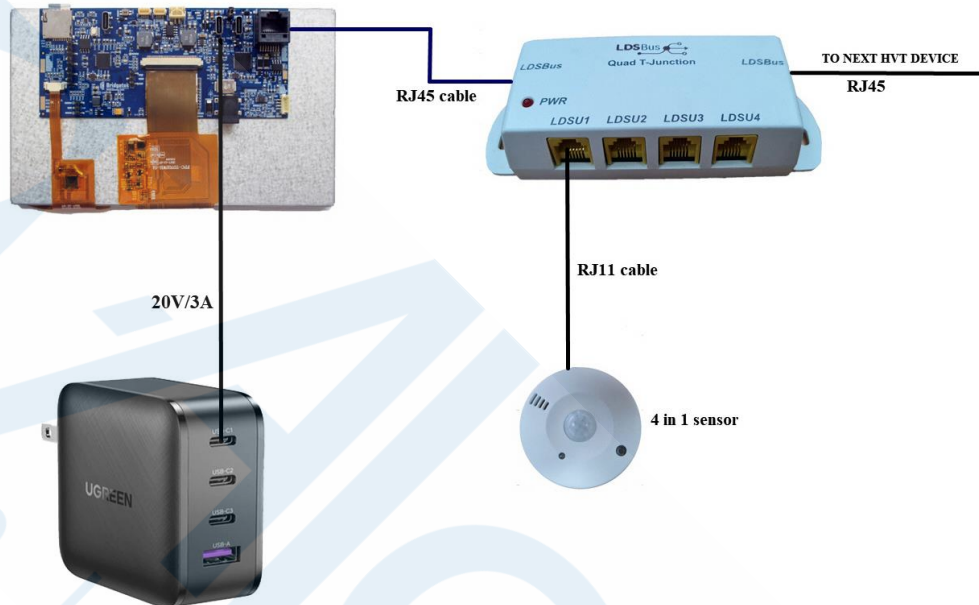


Figure 17 – IDM2040-7A Module Connection to LDSBus Sensor

8 Software Setup Information

- The RP2040 microcontroller can be programmed using C/C++, MicroPython or CircuitPython.

8.1 C/C++ SDK Setup

- For C/C++ development, it is need to install the following programs.
 - [Python 3.x](#)
 - [ARM GCC compiler](#)
 - [CMake](#)
 - [Build Tools for Visual Studio 2019](#) (C++ build tools only)
 - [Visual Studio Code](#)
 - [pico-sdk tools](#)
- It is recommended to download one package of all the above tools from [here](#) to install them.
- Raspberry Pi PICO/RP2040 C/C++ SDK document can be downloaded [here](#).
- Raspberry Pi PICO/RP2040 C/C++ examples can be downloaded [here](#).
- Raspberry Pi PICO/RP2040 C/C++ API Document is [here](#).
- Download and install EVE Screen Designer (ESD) version 4.14.0 or above from <https://brtchip.com/ic-module/toolchains/>.
- Open ESD tools and Run one example from C:\Users\Public\Documents\EVE Screen Designer\Examples\Advanced\AdvancedWidgetsDemo\AdvancedWidgetsDemo.esd, with the settings as shown below.
- Users need to change the build target to IDM2040EV-7A via the toolbar button:

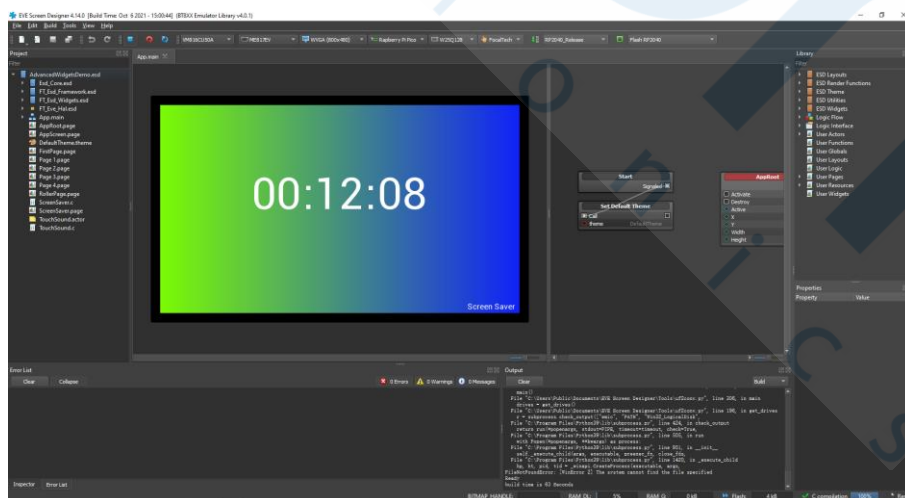
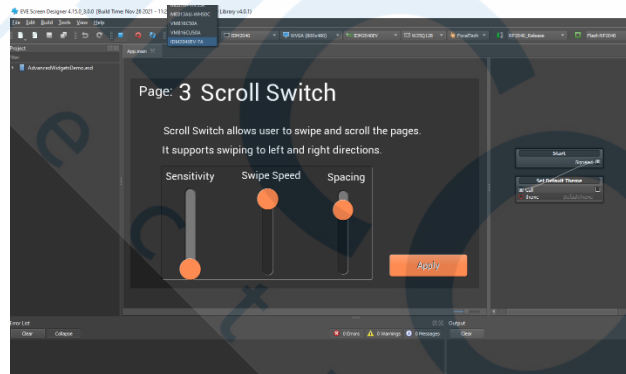


Figure 18 – Run AdvancedWidgetsDemo ESD Example Code

- Click Build->Build and Upgrade Hardware, it will compile the code and generate the AdvancedWidgetsDemo.UF2 file.
- Push and hold SW1A BOOTSEL button on the board, then connect CN13A to your computer using a USB cable. Release BOOTSEL once the drive RTP1-RP2 appears on your computer, Drag and drop the UF2 file on the RPI-RP2 drive. After reset, just press the 3 calibration dots and the following display will appear on the LCD.

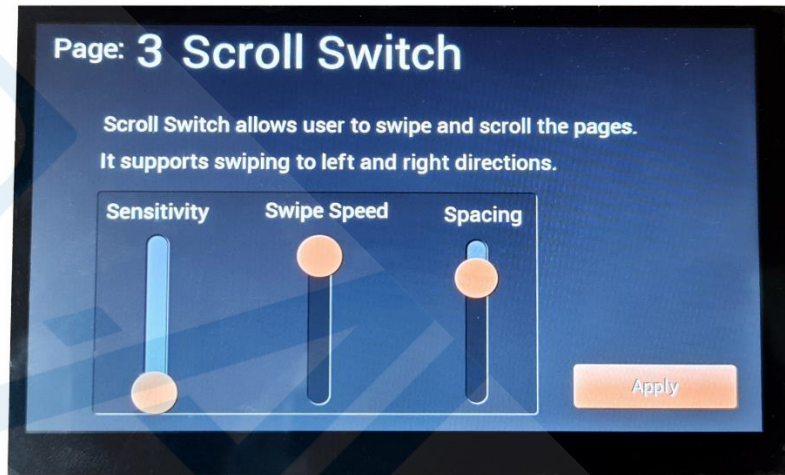


Figure 19 – Run AdvancedWidgetsDemo Example Code

8.2 MicroPython SDK Setup

- Download the MicroPython UF2 file from [MicroPython](#).
- Push and hold SW1A BOOTSEL button on the board, then connect your computer using a type C USB cable. Release BOOTSEL once the drive RTP1-RP2 appears on your computer
- Drag and drop the UF2 file on the RPI-RP2 drive. The RP2040 will reboot and will now run MicroPython.
- Download and install [Thonny](#) for your computer.
- Connect the board to your computer and in Thonny go to Tools>Options and click on the interpreter tab. From the interpreter dropdown list select MicroPython (Raspberry Pi PICO). Choose port "USB Serial Device (COMX)". Figure 7-1 shows the MicroPython and Thonny in ready status.

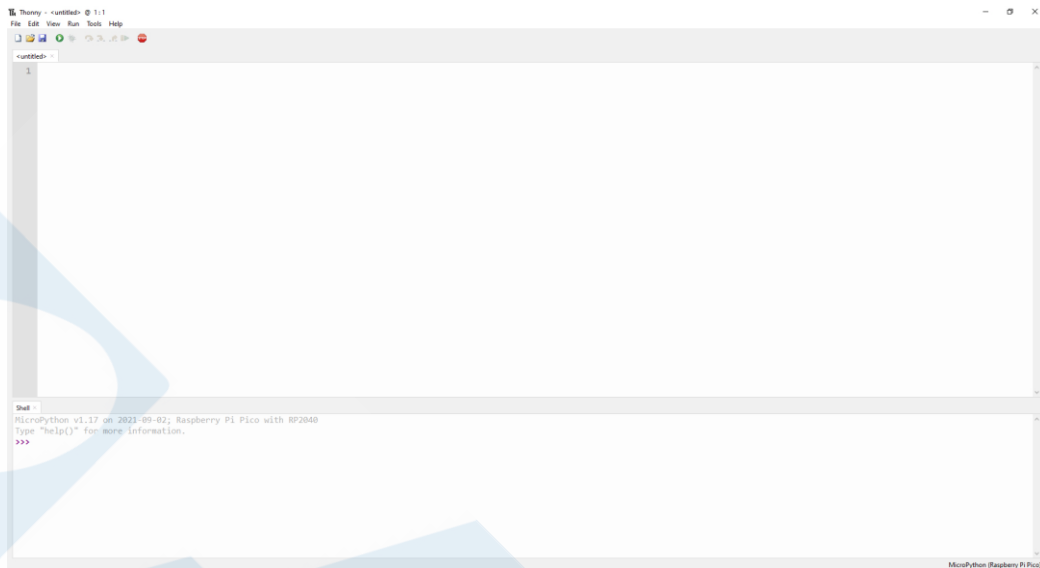


Figure 20 – MicroPython with Thonny in READY status

- Raspberry Pi PICO/RP2040 MicroPython SDK document can be downloaded from [here](#).
- Raspberry Pi PICO MicroPython examples can be downloaded from [here](#).
- Blink D2A example code is

```
from machine import Pin
import utime
led = Pin(25,Pin.OUT)
while True:
    led.value(1)
    utime.sleep(1)
    led.value(0)
    utime.sleep(1)
```

8.3 Circuitpython SDK Setup

- Download the CircuitPython UF2 file from [CircuitPython](#).
- Push and hold SW1A BOOTSEL button on the board, then connect your computer using a type C USB cable. Release BootSEL once the drive RPI-RP2 appears on your computer
- Drag and drop the UF2 file on the RPI-RP2 drive. The RP2040 will reboot and the drive CIRCUITPY appears on your computer.
- Download and install [Thonny](#) or [Mu](#) for your computer, recommend to install Mu editor for CircuitPython application.
- Connect the board to your computer and Run Mu, select RP2040, the MU with CircuitPython is ready to use.

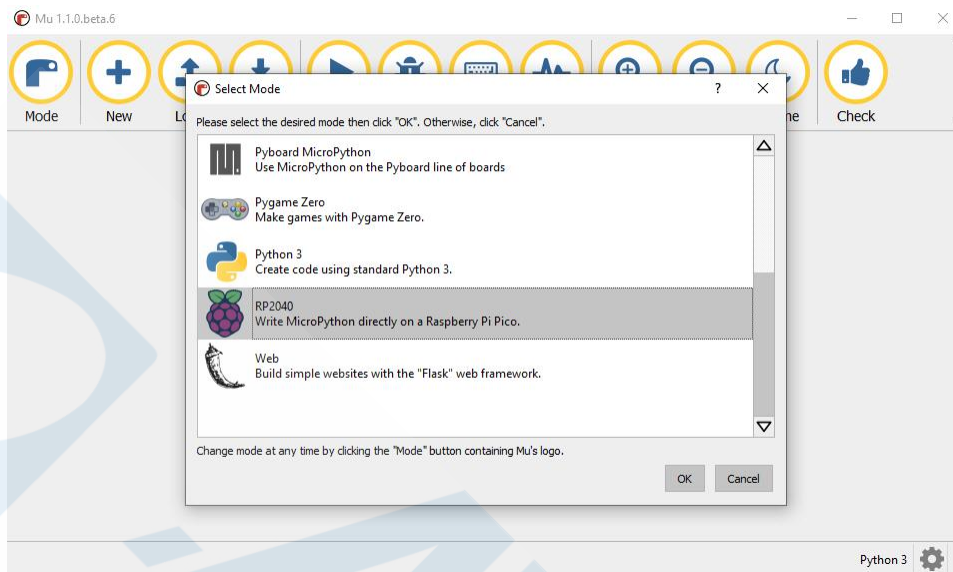


Figure 21 – Install Mu Editor

- Blink D2A example code is

```
import time
import board
import digitalio
led = digitalio.DigitalInOut(board.GP25)
led.direction = digitalio.Direction.OUTPUT
while True:
    led.value = True
    time.sleep(1)
    led.value = False
    time.sleep(1)
```

8.4 Bridgetek CircuitPython SDK Setup

- Below is the link which provides the sample code & libraries to run the EVE module in CircuitPython.
 - [pico-bteve github link](#)
- Visit BRT's website at <https://brtchip.com/eve/> for more information regarding the EVE module & its toolchain.

9 Disclaimer Notice: Use of Third-Party Software or Websites

We may recommend use of software or web sites that are owned or operated by other companies. We offer or facilitate this recommendation by hyperlinks or other methods to aid your access to the third-party resource. While we endeavour to direct you to helpful, trustworthy resources, we cannot endorse, approve, or guarantee software, information, products, or services provided by or at a third-party resource or track changes in the resource. Thus, we are not responsible for the content or accuracy of any third-party resource or for any loss or damage of any sort resulting from the use of, or for any failure of, products or services provided at or from a third party resource.

We recommend these resources on an "as is" basis. When you use a third party resource, you will be subject to its terms and licenses and no longer be protected by our privacy policy or security practices, which may differ from the third policy or practices or other terms. You should familiarize yourself with any license or use terms of, and the privacy policy and security practices of, the third party resource, which will govern your use of that resource.

10 Contact Information

Head Quarters – Singapore

Bridgetek Pte Ltd
178 Paya Lebar Road, #07-03
Singapore 409030
Tel: +65 6547 4827
Fax: +65 6841 6071

E-mail (Sales) sales.apac@brtchip.com
E-mail (Support) support.apac@brtchip.com

Branch Office – Taipei, Taiwan

Bridgetek Pte Ltd, Taiwan Branch
2 Floor, No. 516, Sec. 1, Nei Hu Road, Nei Hu
District
Taipei 114
Taiwan, R.O.C.
Tel: +886 (2) 8797 5691
Fax: +886 (2) 8751 9737

E-mail (Sales) sales.apac@brtchip.com
E-mail (Support) support.apac@brtchip.com

Branch Office - Glasgow, United Kingdom

Bridgetek Pte. Ltd.
Unit 1, 2 Seaward Place, Centurion Business
Park
Glasgow G41 1HH
United Kingdom
Tel: +44 (0) 141 429 2777
Fax: +44 (0) 141 429 2758

E-mail (Sales) sales.emea@brtchip.com
E-mail (Support) support.emea@brtchip.com

Branch Office – Vietnam

Bridgetek VietNam Company Limited
Lutaco Tower Building, 5th Floor, 173A Nguyen
Van Troi,
Ward 11, Phu Nhuan District,
Ho Chi Minh City, Vietnam
Tel : 08 38453222
Fax : 08 38455222

E-mail (Sales) sales.apac@brtchip.com
E-mail (Support) support.apac@brtchip.com

Web Site

<http://brtchip.com/>

Distributor and Sales Representatives

Please visit the Sales Network page of the [Bridgetek Web site](#) for the contact details of our distributor(s) and sales representative(s) in your country.

System and equipment manufacturers and designers are responsible to ensure that their systems, and any Bridgetek Pte Ltd (BRTChip) devices incorporated in their systems, meet all applicable safety, regulatory and system-level performance requirements. All application-related information in this document (including application descriptions, suggested Bridgetek devices and other materials) is provided for reference only. While Bridgetek has taken care to assure it is accurate, this information is subject to customer confirmation, and Bridgetek disclaims all liability for system designs and for any applications assistance provided by Bridgetek. Use of Bridgetek devices in life support and/or safety applications is entirely at the user's risk, and the user agrees to defend, indemnify and hold harmless Bridgetek from any and all damages, claims, suits or expense resulting from such use. This document is subject to change without notice. No freedom to use patents or other intellectual property rights is implied by the publication of this document. Neither the whole nor any part of the information contained in, or the product described in this document, may be adapted or reproduced in any material or electronic form without the prior written consent of the copyright holder. Bridgetek Pte Ltd, 178 Paya Lebar Road, #07-03, Singapore 409030. Singapore Registered Company Number: 201542387H.

Appendix A – References

Document References

[BT817 Datasheet](#)

[FT232HP Datasheet](#)

[RP2040 Datasheet](#)

Acronyms and Abbreviations

Terms	Description
DC	Direct Current
EVE	Embedded Video Engine
IC	Integrated Circuit
I2C	Inter-Integrated Circuit
LDSBus	Long Distance Sensor Bus
MCU	Micro Controller Unit
PD	Power Delivery
PWM	Pulse Width Modulation
SPI	Serial Peripheral Interface
SWD	Serial Wire Debug
TTL	Transistor-transistor Logic
USB	Universal Serial Bus
UART	Universal Asynchronous Receiver-Transmitter

Appendix B – List of Tables & Figures

List of Tables

Table 1 - CN3 Pinout.....	8
Table 2 - CN5 Pinout.....	9
Table 3 – W1 Function	9
Table 4 – CN8 Pinout	9
Table 5 – CN9 7 & CN10 Pinout.....	9
Table 6 – CN11 Pinout	10
Table 7 – CN14 Pinout	10
Table 8 – CN16 Pinout	10
Table 9 – CN17 Pinout	10
Table 10 – CN18 Pinout.....	11
Table 11 – Operating Voltage and Current	12
Table 12 – LCD and Touch Information	12
Table 13 – Optical Specifications	13

List of Figures

Figure 1 - IDM2040-7A Module - Top View.....	5
Figure 2 - IDM2040-7A Module - Bottom View.....	5
Figure 3 – 7 inch LCD Dimension.....	6
Figure 4 - IDM2040-7A Board - Top View	6
Figure 5 - IDM2040-7A Board – Bottom View.....	7
Figure 6 – Connectors of IDM2040-7A.....	8
Figure 7 - RP2040 MCU Schematic.....	14
Figure 8 – BT817Q and LCD Schematic	14
Figure 9 – Audio and Backlight Schematic	15
Figure 10 - RP2040 Peripheral Connectors Schematic.....	15
Figure 11 – FT232HP and USB-C Schematic.....	16
Figure 12 – DC-DC and LDSBus Schematic	16
Figure 13 – IDM2040-7A Board PCB Dimensions (Top View)	17
Figure 14 – Power Delivery Setting	18
Figure 15 – RS-485 Transceiver with Polarity Control	19
Figure 16 – IDM2040-7A Module Connection to DMX512 Device	19
Figure 17 – IDM2040-7A Module Connection to LDSBus Sensor.....	20
Figure 18 – Run AdvancedWidgetsDemo ESD Example Code.....	21
Figure 19 – Run AdvancedWidgetsDemo Example Code.....	22
Figure 20 – MicroPython with Thonny in READY status	23
Figure 21 – Install Mu Editor.....	24

Appendix C – Revision History

Document Title: IDM2040-7A Datasheet
Document Reference No.: BRT_000393
Clearance No.: BRT#191
Product Page: <https://brtchip.com/ic-module/product-category/products/>
Document Feedback: [Send Feedback](#)

Revision	Changes	Date
Version 1.0	Initial Release	03-03-2022