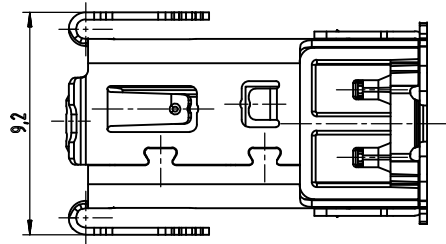
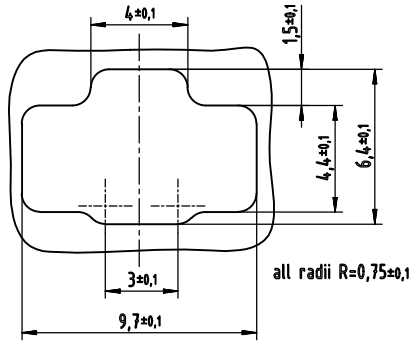


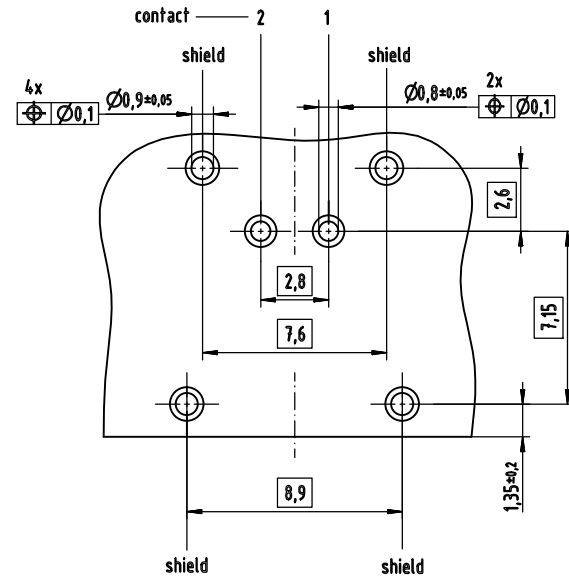
| REV. | DESCRIPTION     | DRAWN | DATE       |
|------|-----------------|-------|------------|
| 1    | INITIAL RELEASE | FROS  | 2023/12/27 |



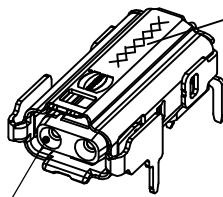
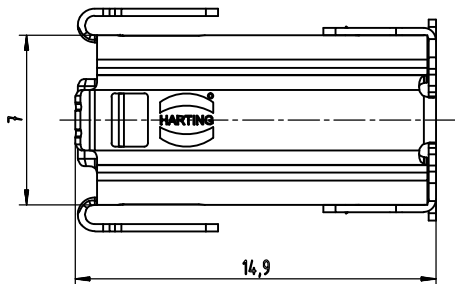
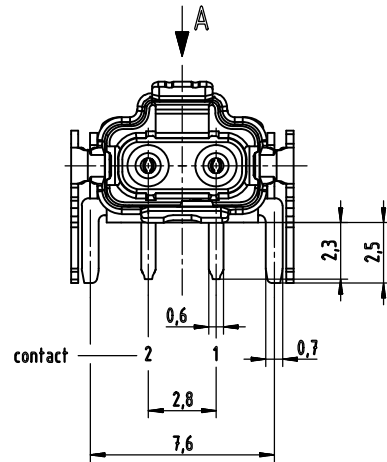
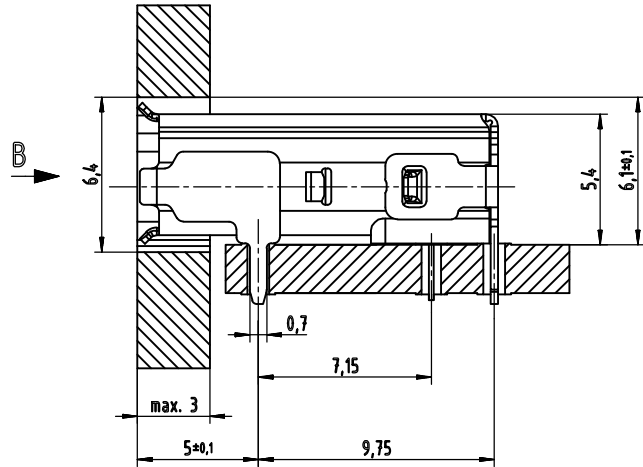
**B**  
panel cutout



**A**  
PCB layout



| contact | PMA signal |
|---------|------------|
| 1       | BI_DA+     |
| 2       | BI_DA-     |



mating face acc. to IEC 63171-6

MARK: XXXX Y ZZZ  
 XXXX: DATE CODE 4 DIGITS YEAR/WEEK  
 Y: CODING OF PRODUCTION PLANT  
 ZZZ: LAST DIGITS OF PRODUCTION BATCH NUMBER



Singel 3 | B-2550 Kontich | Belgium | Tel. +32 (0)3 458 30 33  
 info@alcom.be | www.alcom.be  
 Rivium 1e straat 52 | 2909 LE Capelle aan den IJssel | The Netherlands  
 Tel. +31 (0)10 288 25 00 | info@alcom.nl | www.alcom.nl

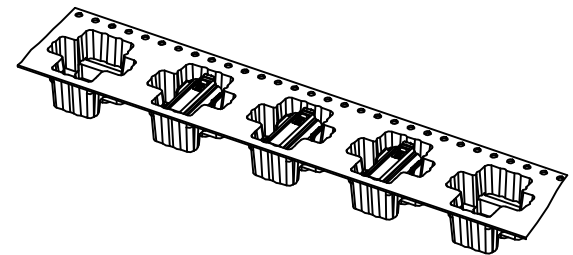
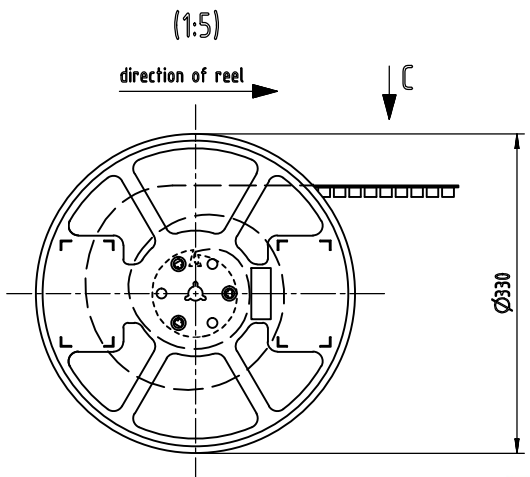
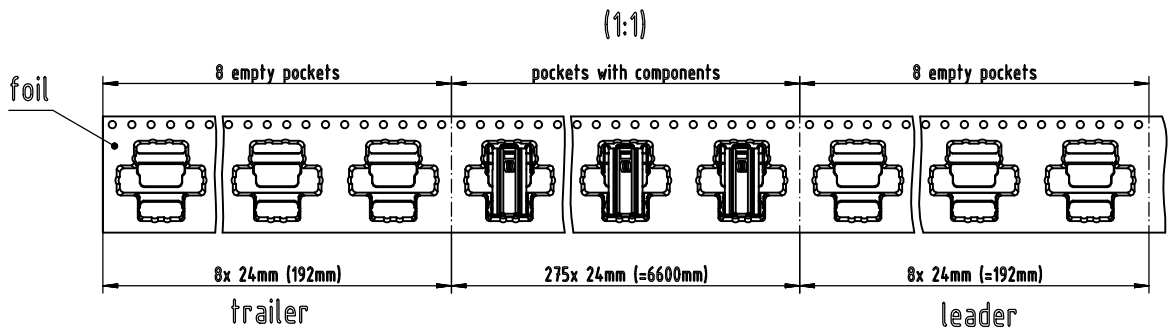
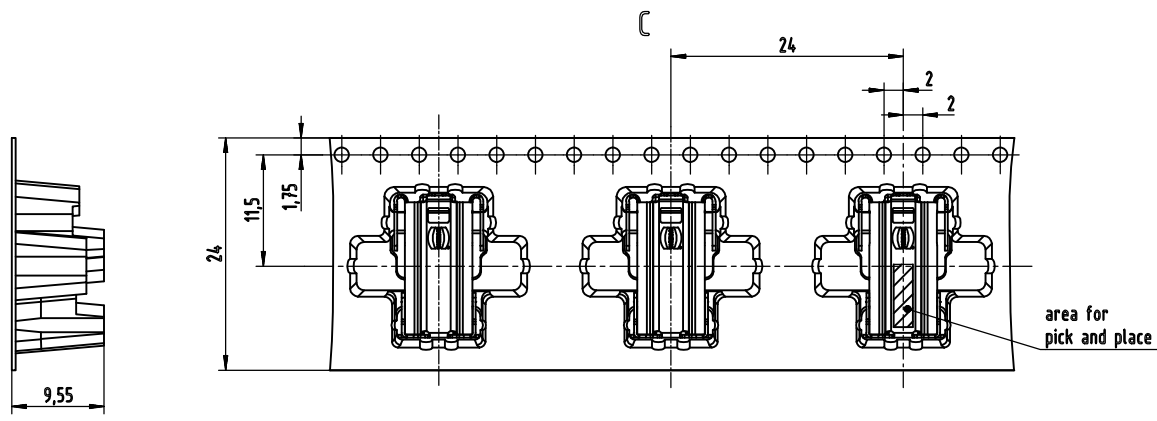
| UNLESS OTHERWISE SPECIFIED TOLERANCE |         |        |        |
|--------------------------------------|---------|--------|--------|
| UNIT:                                | DECIMAL | LINEAR | ANGLES |
| mm                                   | X.      | ±0.50  | ±5°    |
|                                      | X.X     | ±0.25  | ±3°    |
|                                      | X.XX    | ±0.12  | ±1°    |


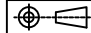


www.attend.com.tw

|          |      |            |   |                  |    |           |               |
|----------|------|------------|---|------------------|----|-----------|---------------|
| DRAWN    | Fros | 2023/12/27 | DRAWN NAME:                             | SPE IP20 Socket. |    |           |               |
| CHECKED  | Tim  | 2023/12/27 | R/A, 2 Pin, Latch Lock, DIP, 30u", Reel |                  |    |           |               |
| APPROVED | Ken  | 2023/12/27 | PRODUCT NO.                             | 229A-R001        |    |           |               |
| SCALE    | n/a  | SHEET      | 1/2                                     | SIZE             | A4 | FILE NAME | 229A-R001_B_1 |

|      |             |       |      |
|------|-------------|-------|------|
| REV. | DESCRIPTION | DRAWN | DATE |
|------|-------------|-------|------|



|   |           |            |  |  |  |
|---|-----------|------------|--|--|--|
| UNLESS OTHERWISE SPECIFIED TOLERANCE  |           |            |  | <br>www.attend.com.tw |  |
| UNIT:   | DECIMAL   | LINEAR     | ANGLES   |  |  |
| mm  | X.        | ±0.50      | ±5°  |  |  |
|   | X.X       | ±0.25      | ±3°  |  |  |
|   | X.XX      | ±0.12      | ±1°  |  |  |
| DRAWN   | Fros      | 2023/12/27 | DRAWN NAME:  |  |  |
| CHECKED   | Tim       | 2023/12/27 | SPE IP20 Socket, R/A, 2 Pin, Latch Lock, DIP, 30u", Reel |  |  |
| APPROVED  | Ken       | 2023/12/27 | PRODUCT NO. 229A-R001                                    |  |  |
|  | SCALE n/a | SHEET 2/2  | SIZE A4  | FILE NAME 229A-R001_B_1  |  |


 Singel 3 | B-2550 Kontich | Belgium | Tel. +32 (0)3 458 30 33  
 info@alcom.be | www.alcom.be  
 Rivium 1e straat 52 | 2909 LE Capelle aan den IJssel | The Netherlands  
 Tel. +31 (0)10 288 25 00 | info@alcom.nl | www.alcom.nl