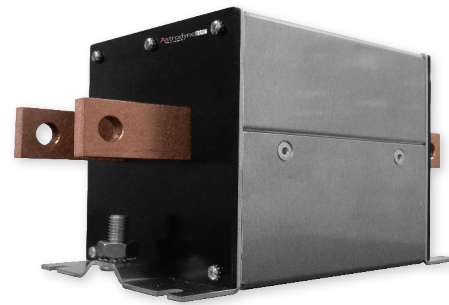


# RP695H

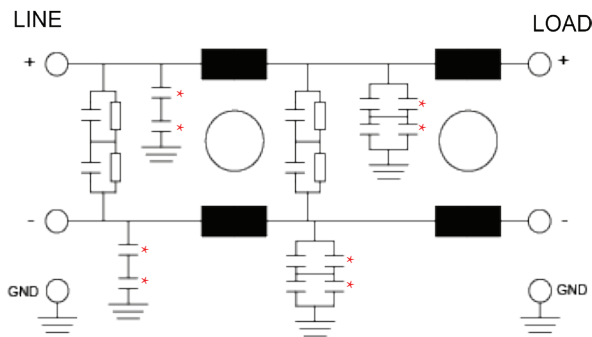
## COMPACT HI-CURRENT HI-PERFORMANCE DC FILTER FOR EV CHARGERS

### FEATURES

- » **Rated currents include 450A, 600A, 1000A and 1600A**
- » **Dual Stage Hi-Performance Line Filter**
- » **Available with B (bus bars) option**
- » **High Voltage Design**
- » **Agency Approved to UL60939-3, CSA C22.2 8-13**
- » **Y-cap value can be adjusted to fit application needs**



### ELECTRICAL SCHEMATIC



\*Discharge resistors across Y capacitors in certain 450A model only

### HOW TO ORDER

RP695H-X-Y-Z

- Z = TERMINAL (-T)
- Y = Y-CAP, NF
- X = RATED CURRENT
- RP695H = FILTER SERIES

**NOTE:** USE ANY COMBINATION OF -X (AMPS) WITH ANY -Y VALUES

E.G. **RP695H-450-15-B** (450AMPS WITH 15 NF YCAP)

For **X, Y,** and **Z** options see product specification table.

### SPECIFICATIONS

<b>MAX. OPERATING VOLTAGE</b>	1500VDC +10%
<b>AMBIENT TEMPERATURE</b>	-25 TO 50°C
<b>CLIMATIC CATEGORY</b>	25/100/21
<b>TERMINALS (-T)</b>	B: BUSBARS 450-600 A (8X25), 1000A (8X40), 1600A (10X60)
<b>TYP. WEIGHT, LBS (KG)</b>	6.4 - 12 (2.9 - 5.45)

### HIPOT RATINGS

<b>LINE TO GROUND</b>	6000 VDC
-----------------------	----------

### TYPICAL APPLICATIONS

- ✓ DC fast chargers
- ✓ High power rectifiers
- ✓ Inverters
- ✓ Induction charging
- ✓ Industrial chargers
- ✓ Solar



Singel 3 | B-2550 Kontich | Belgium | Tel. +32 (0)3 458 30 33  
 info@alcom.be | www.alcom.be  
 Rivium 1e straat 52 | 2909 LE Capelle aan den IJssel | The Netherlands  
 Tel. +31 (0)10 288 25 00 | info@alcom.nl | www.alcom.nl

# RP695H

## COMPACT HI-CURRENT HI-PERFORMANCE **DC** FILTER FOR EV CHARGERS

MODEL NO.	RATED CURRENT, A @ 40° C	Y-CAP, nF	TERMINAL OPTIONS				MAX. DIMENSIONS" (MM)		
			(W) INPUT/ OUTPUT	(S) INPUT/ OUTPUT	(C) INPUT/ OUTPUT	(B) INPUT/ OUTPUT	WIDTH	(LENGTH)	HEIGHT
RP695H-450-0-B	450	0				✓	4.80" (122)	10.24" (260)	5.04" (128)
RP695H-450-15-B	450	15				✓	4.80" (122)	10.24" (260)	5.04" (128)
RP695H-450-100-B	450	100				✓	4.80" (122)	10.24" (260)	5.04" (128)
RP695H-450-1000-B	450	1000				✓	4.80" (122)	10.24" (260)	5.04" (128)
RP695H-450-2000-B	450	2000				✓	4.80" (122)	10.24" (260)	5.04" (128)
RP695H-600-0-B	600	0				✓	4.80" (122)	10.24" (260)	5.04" (128)
RP695H-600-15-B	600	15				✓	4.80" (122)	10.24" (260)	5.04" (128)
RP695H-600-100-B	600	100				✓	4.80" (122)	10.24" (260)	5.04" (128)
RP695H-600-1000-B	600	1000				✓	4.80" (122)	10.24" (260)	5.04" (128)
RP695H-600-2000-B	600	2000				✓	4.80" (122)	10.24" (260)	5.04" (128)
RP695H-1000-0-B	1000	0				✓	5.51" (140)	12.44" (316)	3.94" (100)
RP695H-1000-15-B	1000	15				✓	5.51" (140)	12.44" (316)	3.94" (100)
RP695H-1000-100-B	1000	100				✓	5.51" (140)	12.44" (316)	3.94" (100)
RP695H-1000-1000-B	1000	1000				✓	5.51" (140)	12.44" (316)	3.94" (100)
RP695H-1000-2000-B	1000	2000				✓	5.51" (140)	12.44" (316)	3.94" (100)
RP695H-1600-0-B	1600	0				✓	5.51" (140)	12.44" (316)	5.12" (130)
RP695H-1600-15-B	1600	15				✓	5.51" (140)	12.44" (316)	5.12" (130)
RP695H-1600-100-B	1600	100				✓	5.51" (140)	12.44" (316)	5.12" (130)
RP695H-1600-1000-B	1600	1000				✓	5.51" (140)	12.44" (316)	5.12" (130)
RP695H-1600-2000-B	1600	2000				✓	5.51" (140)	12.44" (316)	5.12" (130)

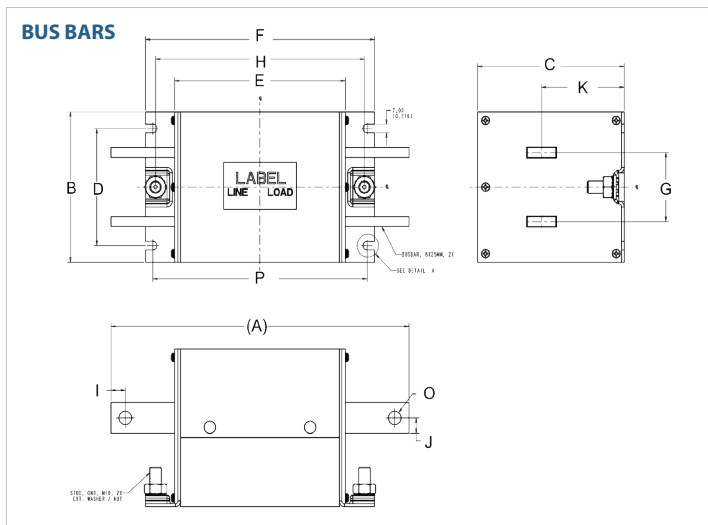
### TYPICAL INSERTION LOSS, dB (50/50 Ohm)

Amps	Freq (MHz)						
		0.15	0.5	1.0	5	10	30
RP695H	CM (dB)	5	29	38	28	24	18
	DM (dB)	33	37	27	18	18	14

# RP695H

COMPACT HI-CURRENT HI-PERFORMANCE **DC** FILTER FOR EV CHARGERS

## RP695 MECHANICAL OUTLINES (MM)



SERIES	(A)	B	C	D	E	F	G	H	I	J	K	O	P
<b>BUSBARS (450A)</b>	10.24" (260)	4.80" (122)	5.04" (128)	3.74" (95)	5.87" (149)	1.87" (200)	2.21" (56)	7.17" (182.2)	0.492" (12.5)	0.492" (12.5)	2.83" (72)	0.433" (11)	7.36" (187)
<b>BUSBARS (600A)</b>	10.24" (260)	4.8" (122)	5.04" (128)	3.74" (95)	5.87" (149)	7.87" (200)	2.21" (56)	7.17" (182.2)	0.492" (12.5)	0.492" (12.5)	2.83" (72)	0.433" (11)	7.36" (187)
<b>BUSBARS (1000A)</b>	12.44" (316)	5.51" (140)	3.94" (100)	4.49" (114)	7.87" (200)	9.84" (250)	2.21" (56)	9.14" (232.2)	0.492" (12.5)	0.787" (20)	1.94" (49.2)	0.413" (10.5)	8.94" (227)
<b>BUSBARS (1600A)</b>	12.44" (316)	5.51" (140)	5.12" (130)	4.49" (114)	8.66" (220)	10.63" (270)	2.21" (56)	9.93" (252.2)	0.492" (12.5)	1.181" (30)	2.87" (73)	0.413" (10.5)	9.72" (247)



Singel 3 | B-2550 Kontich | Belgium | Tel. +32 (0)3 458 30 33  
info@alcom.be | www.alcom.be

Rivium 1e straat 52 | 2909 LE Capelle aan den IJssel | The Netherlands  
Tel. +31 (0)10 288 25 00 | info@alcom.nl | www.alcom.nl