

MERCURY-FLEX

Mercury 2U modules with HOT-SWAP shelf

V9/22



The MercuryFlex is the ideal power solution for high value, mission critical applications in the semiconductor, industrial, and military markets. MercuryFlex provides fully adjustable, wide-range DC output, while operating from universal AC input. With a high-speed CAN-Bus interface providing full control of output voltage, current, and power, along with real-time read back of unit operating input voltage, temperature, alarm status, and output voltage and current, the Mercury Flex provides optimal integrations and optimization opportunities for complex systems.

Main Characteristics:

- Modular / scalable product
- Blind-mate / hot-swap compatible
- Constant Voltage, Constant Current or Constant Power operating modes
- Full Power Factor Correction (Low Input Harmonic Currents)
- SEMI F47 Compliant with 20ms Holdup at Full Power
- On-board CAN bus and Shelf Level Ethernet Controller

BENEFITS

Reduced System Complexity and Time to Market

Wide range of models and fully adjustable outputs. Multiple control modes provide ultimate application flexibility.

High Reliability for Critical Applications

Astrodyne TDI's comprehensive reliability assurance processes, including design to the rigorous requirements of NAVSO P3641A, HALT, DFMEA and our unique Highly Accelerated Stress Screening (HASS) on 100% of production units, assure the ultimate in unit reliability and performance.

High Power Density

Up to 15.2kW power in a 2U high, 19" rack space.

FEATURES

Universal AC Input

90VAC – 264VAC with full power factor control

Wide Range Outputs

28V (3V-28V)

56V (5V-56V)

125V (10V-125V)

180V (10V-180V)

250V (10V-250V)

450V (15V-450V)

Up to 3.8KW power per module

Up to 160A current per module (28V model)

Isolated Auxiliary Output: 12VDC @ .1A

Digital Remote Control

CAN Bus 2.0B provides extensive command and reporting features (Browser based interface available)

Parallel and Redundant Operation

Automatic current sharing, output fault isolation device and hot-swap compatible

Input Voltage Transient Immunity

SEMI 47 Compliant including 20ms holdup time EN61000-4-4 and -5, severity level 4

High MTBF

>1M hours

Variable Speed Fan Control

Minimizes audible noise and maximizes fan life

MERCURY-FLEX

Mercury 2U modules with HOT-SWAP shelf

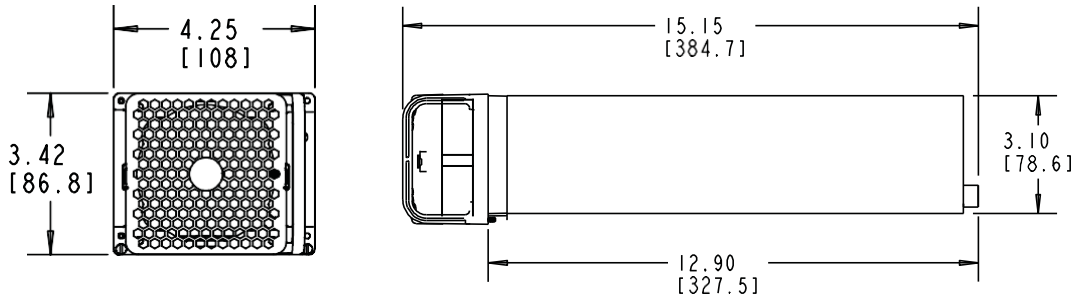
MODEL NUMBER	PART NUMBER	DESCRIPTION
MER38WRB-F028D00LF	T100106170-F028D00LF	RECTIFIER, 3.8KW 2U 0-28V 160A DROOP ROHS
MER38WRB-F056D00LF	T100106170-F056D00LF	RECTIFIER, 3.8KW 2U 0-56V 70A DROOP ROHS
MER38WRB-F125D00LF	T100106170-F125D00LF	RECTIFIER, 3.8KW 2U 0-125V 34.5A DROOP ROHS
MER38WRB-F180D00LF	T100106170-F180D00LF	RECTIFIER, 3.8KW 2U 0-180V 24A DROOP ROHS
MER38WRB-F250D00LF	T100106170-F250D00LF	RECTIFIER, 3.8KW 2U 0-250V 17.5A DROOP ROHS
MER38WRB-F450D00LF	T100106170-F450D00LF	RECTIFIER, 3.8KW 2U 0-450VDC 10.2A DROOP ROHS

PARAMETER	MERCURY-FLEX
Input AC	90 - 176 or 176-260VAC auto range
AC Frequency	47-63Hz
Max Input Current	27A RMS, 50A Peak Inrush
Power Factor	> 0.97 Typical
Outputs, DC	Main Output: (Five standard models) 28V (3V-28V), 56V (5V-56V), 125V (10V-125V), 180 (10V-180V) 250V (10V-250V), 450V (15V-450V)
Output Power	3,800W Max (Vin 176VAC-264VAC)
Efficiency	> 91%
Ripple/Noise	<1% p-p of Vout max
Load Regulation	2% of Vout max, from no load to full load (Current share V-Droop)
Electronic Alarms	AC OK, Output OK, Inhibit, Protect Status
Visual Indicators	Front Panel LED (OK/Fault)
Digital Command / Status	CAN-Bus 2.0B
Protection Features	Input UV, Input OV(MOV), Input OI(fuse), Output OV, Output CL, OverTemp
Operating Temperature	-30 to +55°C (full rated)
Storage/Transportation	-40 to +85°C
Humidity	0% to 95% RH, non condensing
Isolation	In to Out: 3000 VAC RMS In to GND: 1625 VAC RMS Out to GND: Up to 1674 VACRMS
Regulatory/Safety C = Conducted	CE: Low voltage directive Safety: IEC/UL 60950-1 (Second Edition) ; EN60950-1 EMI (C): FCC Part 15, Sub Part J, Class A EN55022, class
Harmonics	Compliant to EN61000-3-2
AC Line Sag	Compliant to SEMIF47-0706
Dimensions (inches)	Module: 4.25" x 3.42" x 15.15" Shelf : 18.19" x 3.46" x 16.5"
Cooling	Internal Variable Speed Fan, front airinput
Warranty	1 Year

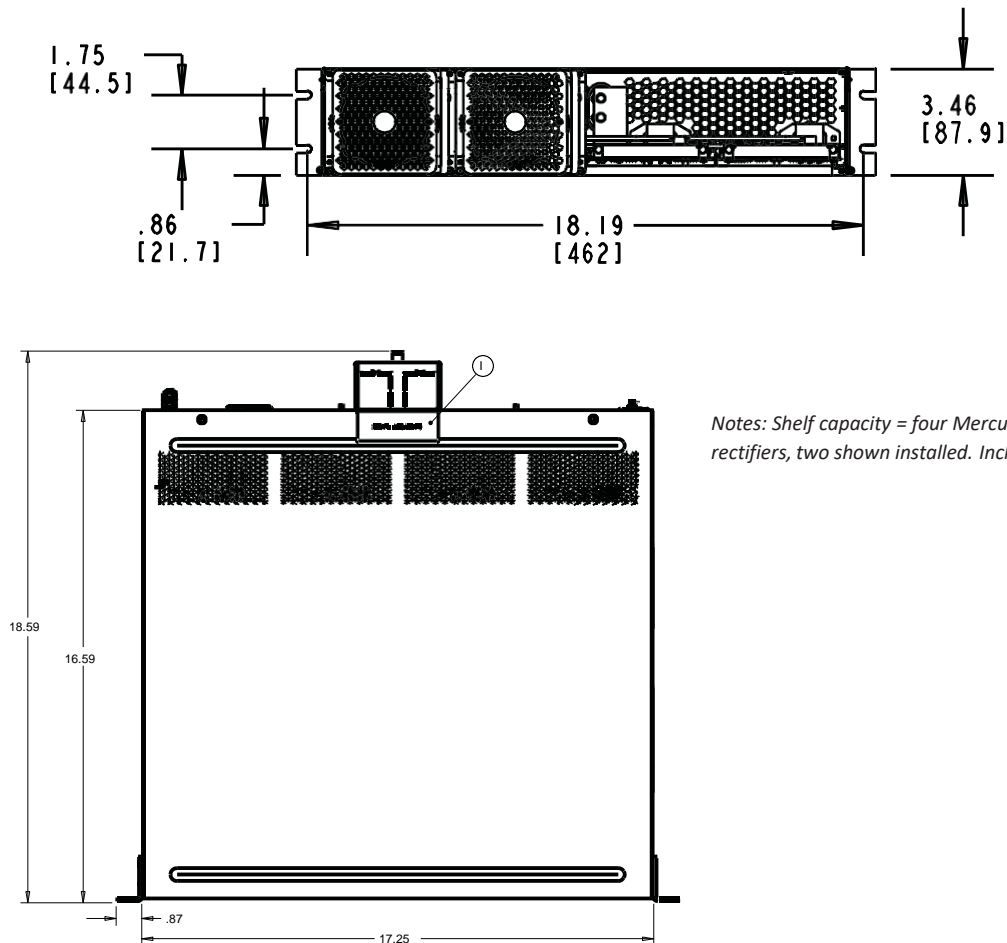
MERCURY-FLEX

Mercury 2U modules with HOT-SWAP shelf

MERCURY FLEX 2U RECTIFIER



2U SHELF ASSEMBLY



Notes: Shelf capacity = four Mercury-Flex rectifiers, two shown installed. Inches (mm)