



MEDIPOWER™

FULLY INTEGRATED POWER SYSTEM AND BATTERY FOR MEDICAL CARTS

The MediPower™ medical power system is designed to provide a reliable and efficient solution for supporting medical equipment, including devices like printers. With its 175VA output and peak power of 250VA, it offers the necessary overload capability. The MediPower™ series features a universal AC input range of 90VAC to 264VAC, allowing it to be used worldwide with just one unit. It also delivers an accurate sinusoidal AC output of 120V, ensuring a stable power supply.

MAIN CHARACTERISTICS:

- ✓ Seamless transition from AC outlet to battery operation
- ✓ Designed to withstand the demanding environment of hospitals
- ✓ 30% lighter compared to other solution
- ✓ Extended battery life in mobile medical devices, giving you more flexibility and convenience.
- ✓ Tailored to fit specific technologies without incurring additional expenses

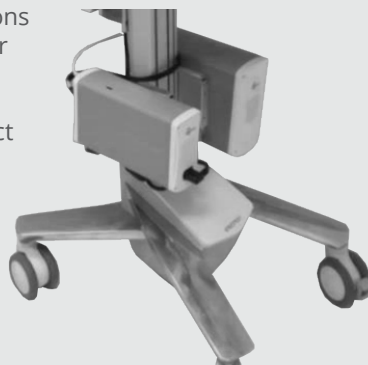
BENEFITS

REDUCED SYSTEM COMPLEXITY AND TIME TO MARKET

Wide range of models and fully adjustable outputs. Multiple control modes provide ultimate application flexibility.

HIGH RELIABILITY FOR CRITICAL APPLICATIONS

Astrodyne TDI's medical power solutions have been trusted on medical carts for over a decade, and the MediPower™ system incorporates reliable and safe methodologies with innovative product design.



FEATURES

AC UNIVERSAL INPUT

90VAC - 264VAC

AC OUTPUT

AC (Pure Sine Wave) 120 VAC
AC Frequency 57-63 Hz
AC Output Current 1.46A

Power (continuous) 175 VA

ISOLATION LEVEL: 4Kv

ALL-IN-ONE

Fully Integrated ULNIEC60601-1 Mobile Power System

RAPID RECHARGE

2.5 Hours

350W CHARGER

Simultaneously charges the battery while running the system

CONTINUOUS ON-LINE OPERATION

Increases reliability and eliminates long-term mechanical failures

Standard API

Integrates directly into Windows USB Battery drivers

EASY INTEGRATION

Can be mounted to existing medical carts and rolling stands



MEDIPOWER™

FULLY INTEGRATED POWER SYSTEM AND BATTERY FOR MEDICAL CARTS

INPUT SPECIFICATIONS

AC Main Connection	100-240VAC
AC Frequency	47-63Hz
Max AC Input Current	4A
Power Factor/Harmonic Correction	Compliant to IEC61000-3-2
Inrush Current (Typ)	40Apk
AC Connection Type	Panel mount IEC 60320, C14

PROTECTION FEATURES

Surge Protection	Compliant to IEC 61000-4-5
Input Over-Current	Y

OUTPUT SPECIFICATIONS

AC (Pure Sine Wave)	120 VAC
AC Frequency (Out)	57-63 Hz
AC Output Current	1.46A
Power (continuous)	175 VA
Power (Peak)	200 VA
Line regulation (from AC or DC)	< 2%
Load regulation	< 3%
AC Connection Type	IEC 60320 - C13
AC Connection Cord	10"
Total Harmonic Distortion	< 3% THD

AC OUTPUT PROTECTION

Max AC Current	1.87A
Power Limit, Short Circuit	Y

BATTERY SOURCE

DC Voltage	24V nominal
DC Current (max)	10A charge/ 20A discharge
Type	SLA & Li-Ion
Charge & Supply Load	Simultaneously
Typical Charge Time	2.5 Hours

ENVIRONMENTAL

Operating Temperature	0°C to +40°C
Humidity (non-condensing)	0% - 95%
Storage Temperature	-10°C to +50°C
Over Temperature Protection	Y



MEDIPOWER™

FULLY INTEGRATED POWER SYSTEM AND BATTERY FOR MEDICAL CARTS

PHYSICAL

Construction	Enclosed Rugged Aluminum
Power Supply Dimensions (D x H x W)	11.0" x6.25" x 3.0"(279 x 159 x 76 mm)
Battery Dimensions (D x H x W)	10.85" x8.35" x4.4" (275x212x112mm)
Power Supply Weight	4.5 lb. (2.1Kg)
Battery Weight	15 lb. (6.8Kg)
Cooling	Temp.& Speed Controlled Fan

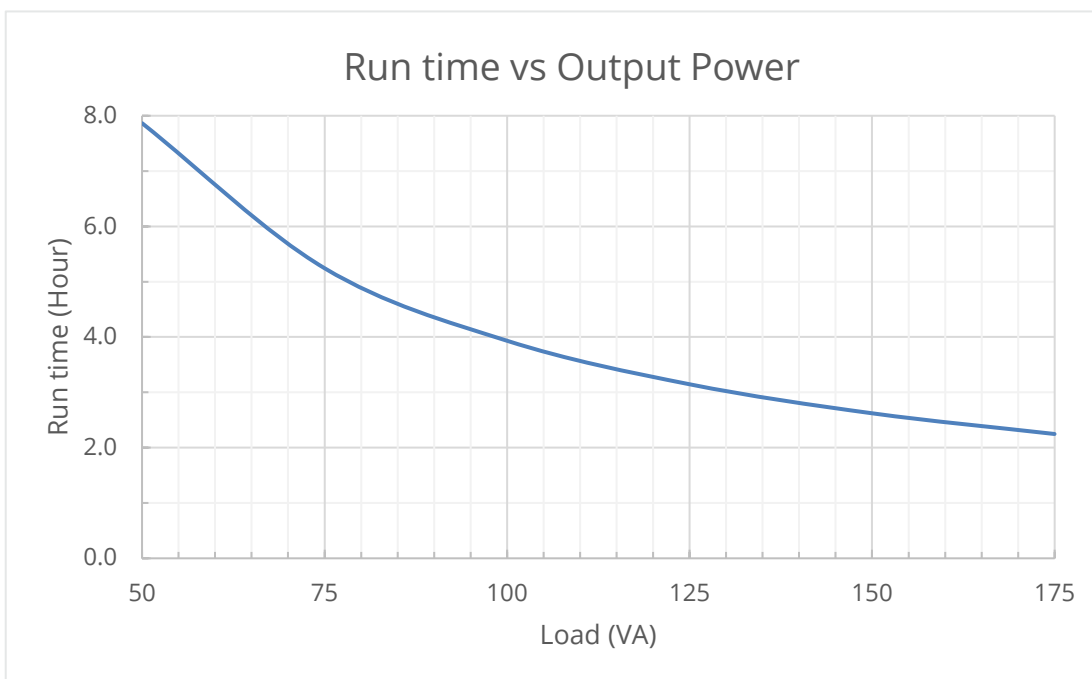
SAFETY & COMPLIANCE

Isolation Level	4Kv
Marking	TUV
Safety & EMC Standard	UL/IEC 60601-1 (3rd Ed.) UL/IEC 60950-1
RoHS/WEEE	Compliant

COMMUNICATION

USB	HID Compliant
Battery	Smart Battery Support
BUS	SMBus & Modbus

RUN TIME:

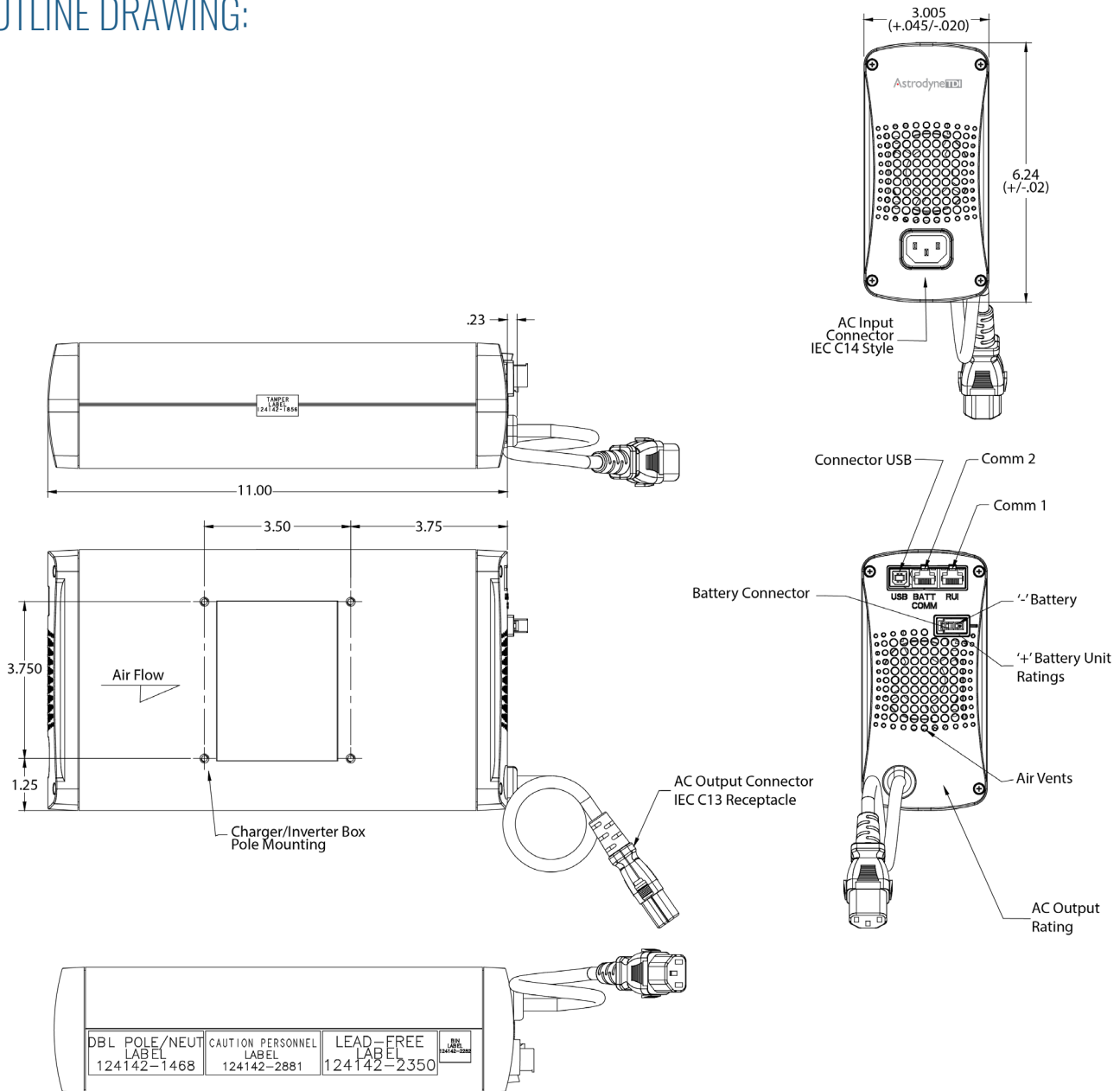




MEDIPOWER™

FULLY INTEGRATED POWER SYSTEM AND BATTERY FOR MEDICAL CARTS

OUTLINE DRAWING:



PART NUMBER

T100102828-3-LF

MODEL NUMBER

SPS4450-LF

DESCRIPTION

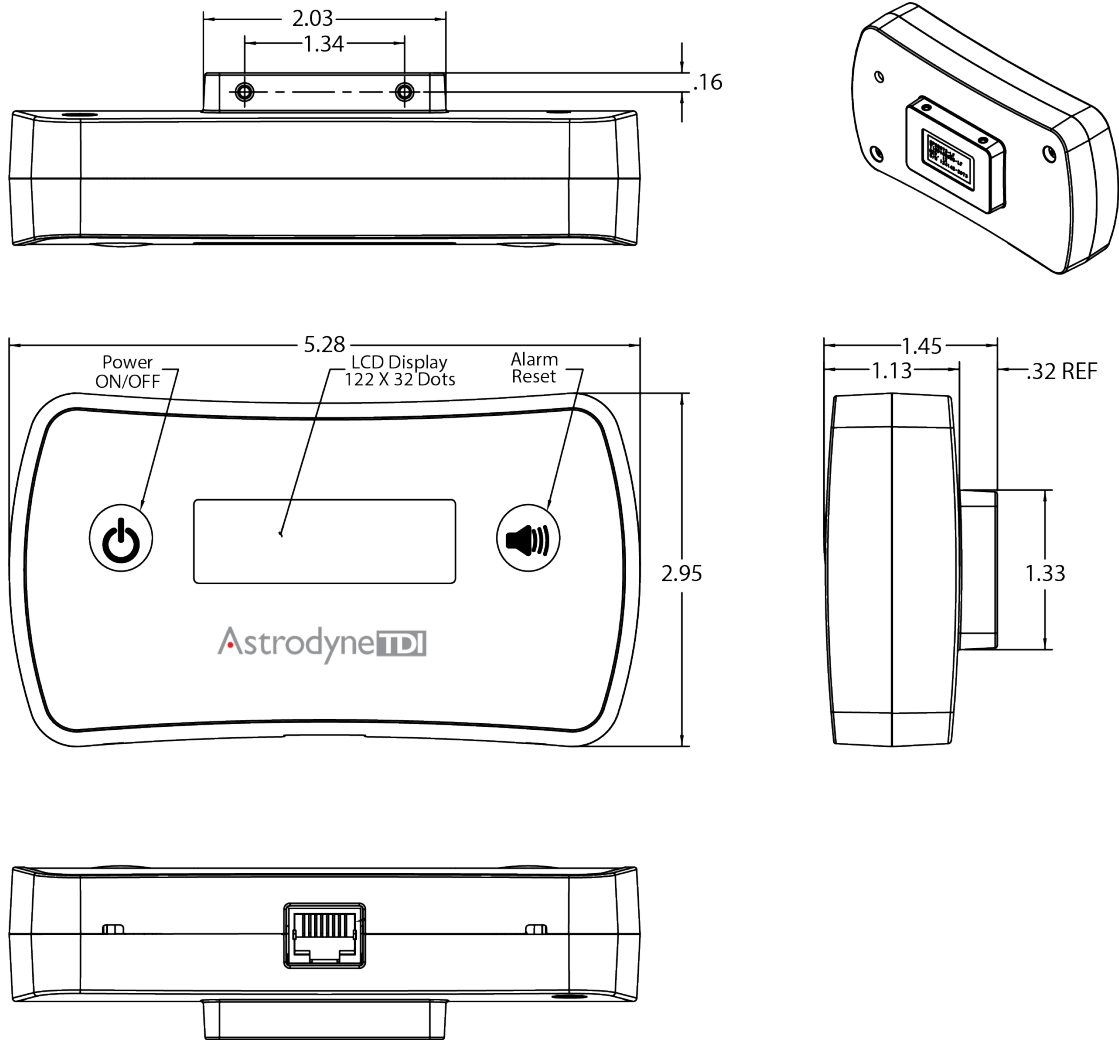
MediPower™ Inverter/Charger 120VAC/175W, 24VDC/250W



MEDIPOWER™

FULLY INTEGRATED POWER SYSTEM AND BATTERY FOR MEDICAL CARTS

OUTLINE DRAWING:



PART NUMBER

T100105055-LF

MODEL NUMBER

SPS5974-LF

DESCRIPTION

MediPower™ Module Remote User Interface

SPECIFICATIONS ARE SUBJECT TO CHANGE