

## Features

APLEX's ACS-330 embedded edge controllers deliver high performance and flexibility, supporting PCIe, SATA, and optional UART for WiFi, 5G, and storage with cableless. ACS-330 provide reliable edge solutions, bridging the gap between OT and IT.

- Intel Alder Lake-N processors (N97) with 8GB DDR5 memory, up to 16GB.
- Wide power input range (9~36V DC)
- Wide operating temperature range (-20~60°C / -4~140°F)
- Expansion flexibility, 1 x Mini-PCIe 3027/3051, 2 x M.2 slots
- Dual 2500 BASE-T Ethernet supports Time-Sensitive Network (TSN) technology
- Dual Display (1 x HDMI, 1 x DP) supports multiple display configurations
- Versatile connectivity with 2 x RS-232/422/485 ports
- Onboard TPM 2.0 provides hardware-based security
- Modular design for optional extension boards

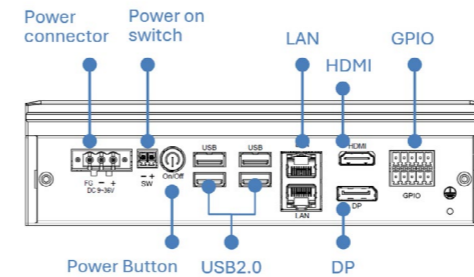
## Specifications

System	
Processor	Intel Processor N97(4-core, 6MB-cache, 12W-TDP)
Memory	1 x DDR5 SO-DIMM Non-ECC slot, supporting 8GB or 16GB capacity at 4800MT/s.
Storage	1 x M.2 B+M Key 2242 (SATA interface)
MISC. Function	1 x SMBus Wafer Header 1 x I2C Interface (M.2 Connector)
Security	TPM 2.0 onboard

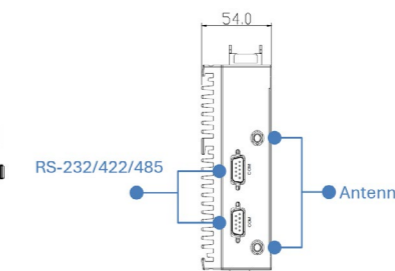
General	
Certification	CE, FCC Class A, UL 61010-2-201
Dimension (WxHxD)	200 x 55 x 140 mm
Mounting	Wall Mount, Din-Rail
Weight (Net)	2.5 kg
Power Requirement	DC 9~36V
OS Support	Windows 10, Windows 11 22H2, Linux Ubuntu 20.04/22.04

I/O Interface	
USB	4 x USB 2.0 (Type-A on front-side)
LAN	2 x 2500 BASE-T ethernet ports (RJ-45)
Serial port	2 x RS-232/422/485 (BIOS selectable)
Display	1 x HDMI 2.0b (up to 4K @60Hz, HDCP 2.2) 1 x DisplayPort 1.4 (up to 4K @60Hz, VDSC 1.1, HDCP 2.2, MST)
GPIO	8 x GPIO (4-IN/4-OUT, 3.3V / 5V hardware-selectable)
Audio	1 x Line-out, 1 x Mic-in, 1 x Line-in, 1 x Speaker Out
Button	1 x Power Button 1 x Switch Connector
Indicator	1 x Power LED
Expansion Slots	1 x Mini PCIe 3027/3051 (Wi-Fi module) 1 x M.2 B-Key 3042/3052 (4G/5G module)

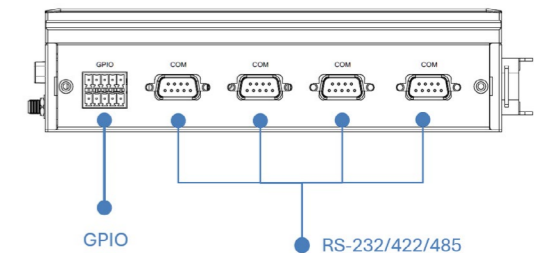
Front I/O



Top I/O



Rear I/O (with extension card)



Operating Environment	
RoHS	RoHS Compliant
Environmental	Operating Temp.: -20~60°C (-4~140 °F) Storage Temp.: -40~85°C (-40~185 °F)
Humidity	95% RH @ 40 °C/104 °F
Shock Protection	Operating, IEC 60068-2-27, 50G, half sine, 11ms
Vibration Protection	Operating, IEC 60068-2-64, 2 Grms, random, 5 ~ 500 Hz, 1hr/axis
Ingress Protection	IP20

Optional Expansion Card	
UART/ GPIO	UART: 4 x RS-232/422/485 (BIOS selectable) GPIO: 8 x GPIO (4-IN/4-OUT, 3.3V / 5V hardware-selectable)
USB/ PoE	2 x USB 2.0 (Type-A) 2 x PSE LAN ports (15 Watts per port)

\*Supports one of the two expansion slots (selectable configuration)

### Ordering Information

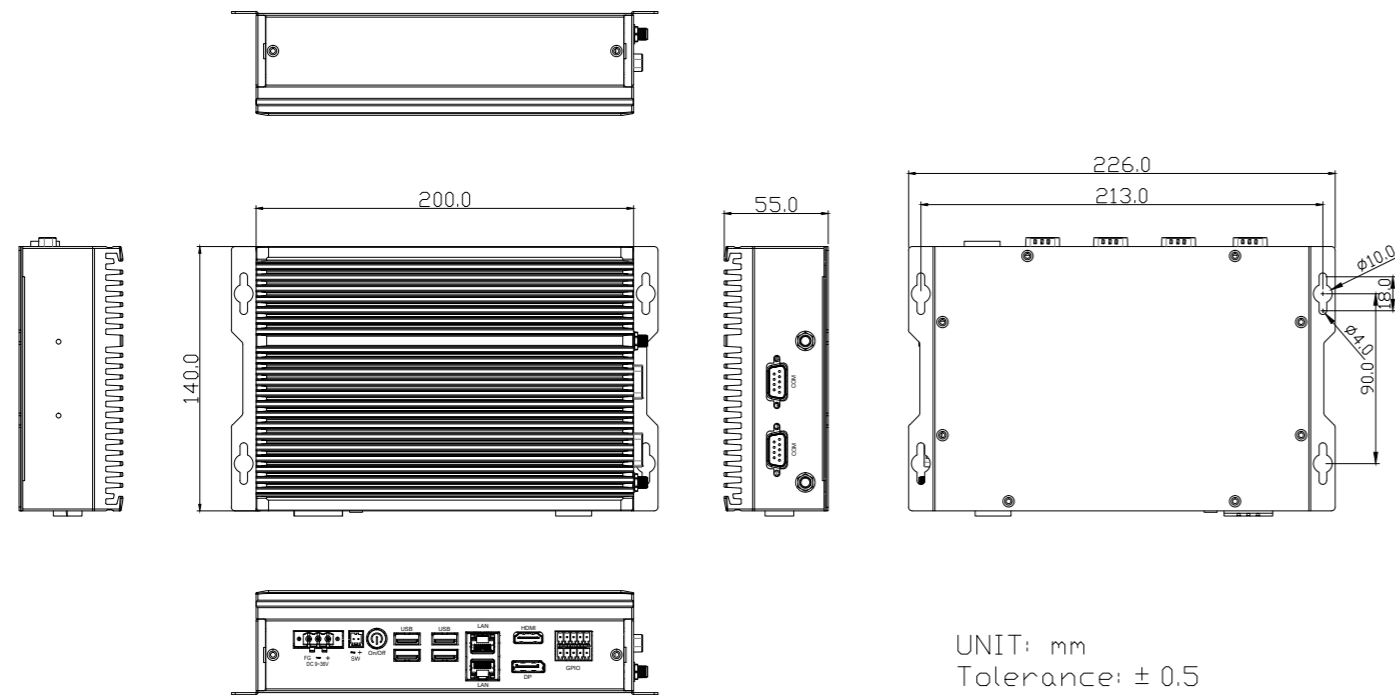
Part Number	Descriptions
7114010024240100	1 x ADAPTER/AC100~240V IN/24V5A OUT/120W EA11011M-2400
2502003018000000	1 x AC power cord
E29091800240601G	1 x DINKLE,ESC250V-02P,1X2P,2.5mm,Green,4A,2P
E29090000390002G	1 x PHOENIX CONN/PH 5.08 3P/2ESDVM-03P(F)
E29091500580600G	2 x DINKLE,0221-2005,1X5P,3.5mm,Green,5P
3455021321201001	1 x M.2 2242 B+M KEY/SATA3/TLC/120GB/APACER/CVC-4D256/0~70DEGREE
6490972031000000	1 x MPCIE WIFI6 MODULE_EMMWICON WMX7203-F 802.11AX (WI-FI 6E) + BT
3251016480010002	1 x DDR5/SO-DIMM/16GB/4800/WAVELLITE/SR2G6SO5285-SB/0~85DEGREE

### Optional Accessories

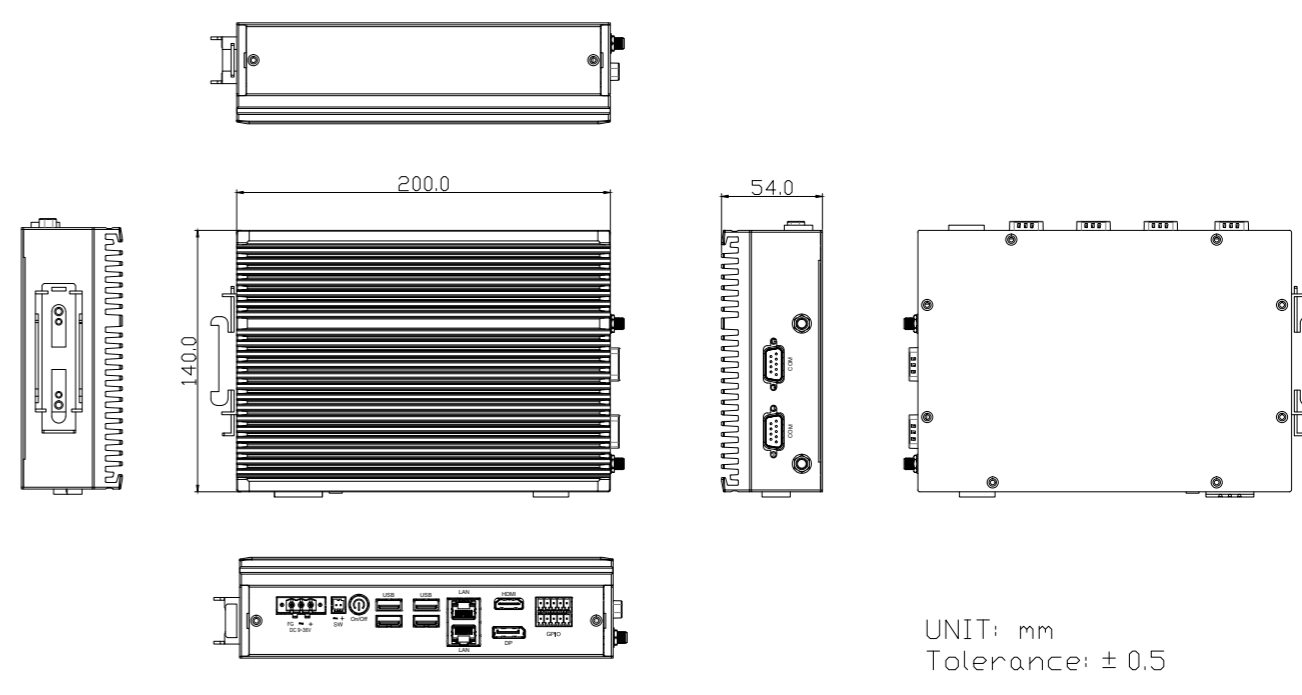
Part Number	Descriptions
6602755701500000	2 x RP SMA PLUG/RFA-027-C55-U-B70-1/WIFI6/6E BAND
6490600251000000	1 x 4G LTE MINI PCIE MODULE_QUECTEL/EC25EFA (FOR EMEA)/LTE/GNSS
TBD	1 x M.2 2242 B+M KEY/SATA3/TLC/240GB/APACER/CVC-4D256/0~70DEGREE

### Dimensions

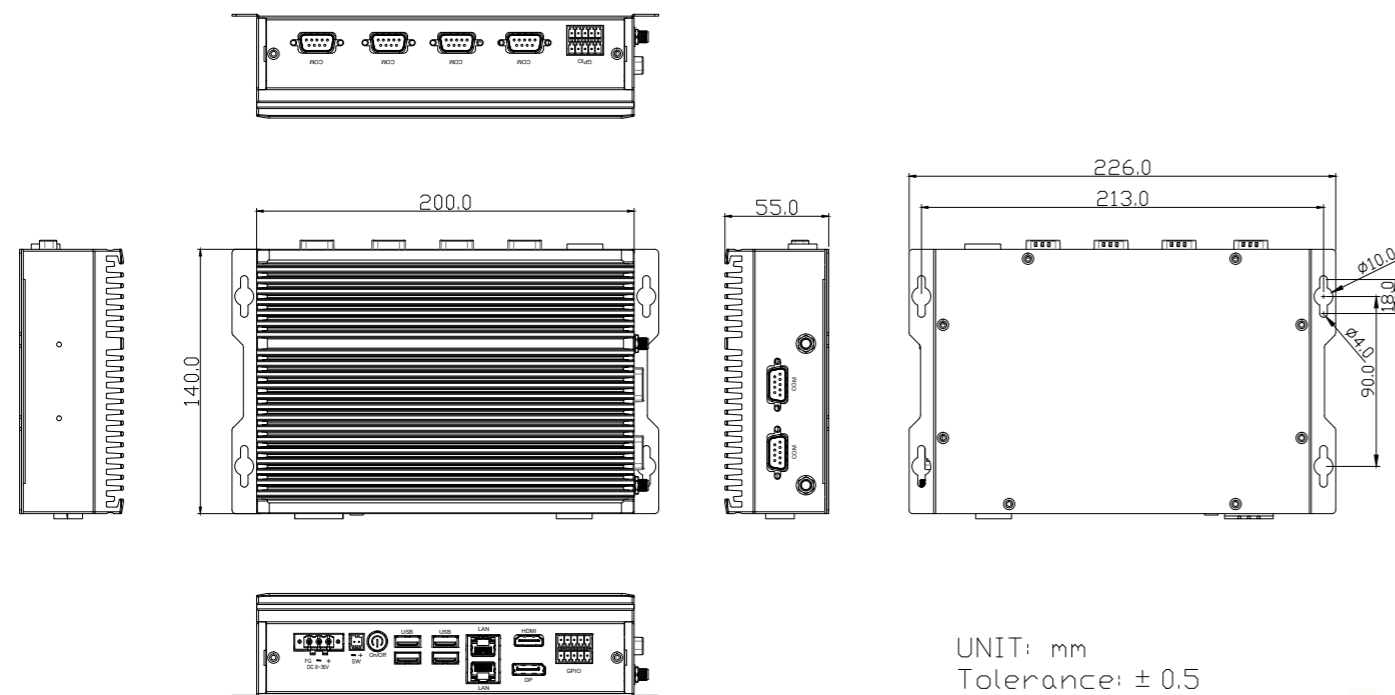
#### Wall Mount



#### DIN Rail



#### Wall Mount With Optional Card



#### DIN Rail With Optional Card

