

EMP-100 Series

Palm-size Fanless Media Player
with Intel® Celeron® Processor



Features

- Intel® Celeron® N6210/J6412 processor
- Support 2 x HDMI output
- Support 12V DC input
- 1 x DDR4 SO-DIMM, up to 16GB
- 1 x M.2 2280 Key M for optional storage device
- 1 x M.2 2230 Key E for optional Wi-Fi/BT Module
- Palm size and fanless design (H: 28mm)

Software Support

- Windows 10 IoT (64-bit)
- Windows 11 IoT (64-bit)
- Linux Ubuntu (64bit) by request

Optional Accessories

- M.2 SSD
128GB (default)
256GB
- Wireless Module
Wi-Fi kit (w/ antenna)
- AC/DC Adapter
60W for EMP-100
- Mounting Kits
Wall/ VESA mount

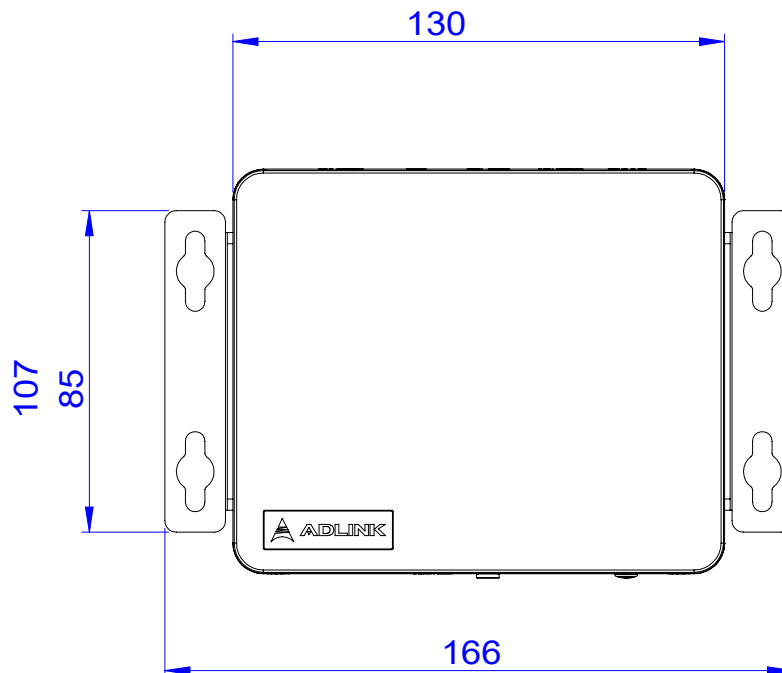
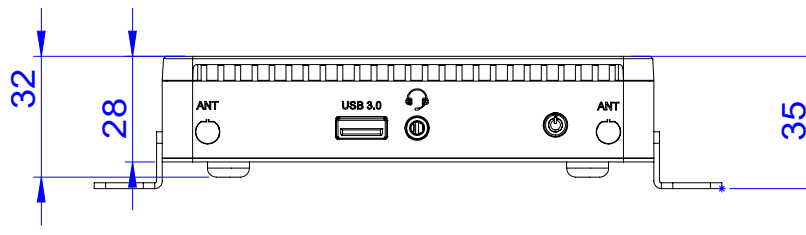
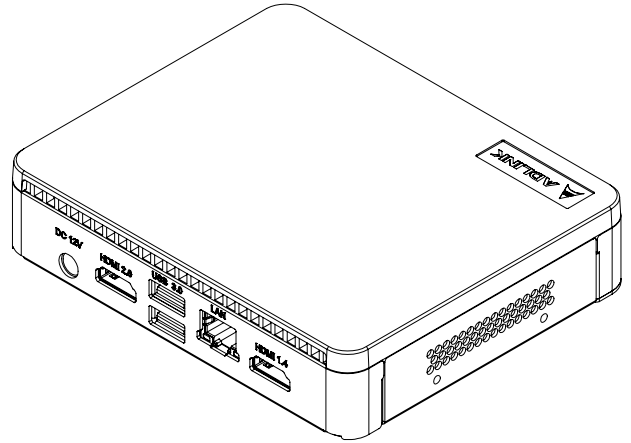
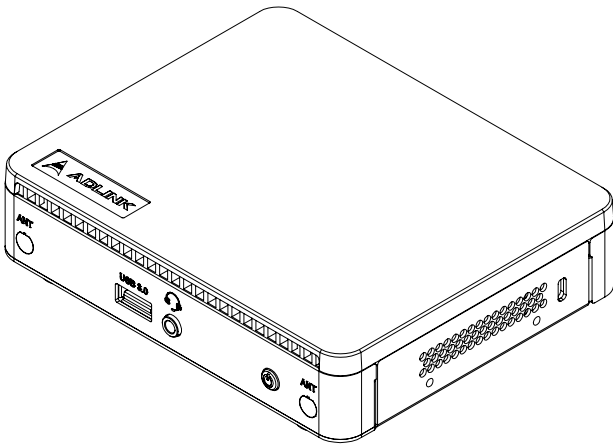
Ordering Information

Model	CPU	Memory	Storage
EMP-100-J6412	Intel® Celeron® J6412	8GB	128GB
EMP-100-N6210	Intel® Celeron® N6210	8GB	128GB

Specifications

Model Name	EMP-100 Series	
System Core		
Processor	Intel® Celeron® N6210 SoC	Intel® Celeron® J6412 SoC
TDP	6.5W	10W
# of Cores	2	4
Base Freq.	1.2 GHz	2.0 GHz
Max Turbo Freq.	2.6 GHz	
Memory	1 x 260-pin DDR4 SO-DIMM, supports 3200MHz SDRAM up to 16GB	
I/O Interface		
Display	1 x HDMI 2.0b, Maximum resolution 3840x2160 @ 60Hz 1 x HDMI 1.4, Maximum resolution 3840x2160 @ 30Hz	
Ethernet	1 x GbE LAN (RJ-45)	
Serial Ports	1 x RS-232 (optional)	
USB	3 x USB 3.2 Gen.1 (Type-A)	
Audio	1 x 3.5mm Headset Jack (CTIA)	
Security	TPM 2.0	
Buttons	1 x power button with LED	
Power Connector	1 x DC Jack for Power supply 12V	
Storage	1 x M.2 2280 Key M (SATA3 + PCIe X1) for SSD, 1 x Internal SATA-III connector	
Expansion		
M.2	1 x M.2 2230 Key E (USB2.0 + PCIe X1) for optional Wi-Fi/BT module	
Antennas	2 x Antenna holes for SMA-type antennas (Wi-Fi/BT)	
Mechanical		
Dimensions	130 (W) x 107 (D) x 28 (H) mm	
Weight	550 g	
Mounting	Wall / VESA mount	
Power Supply		
DC Input	12V DC	
Environmental		
Operating Temperature	0 - 40°C (with 0.6 m/s air flow)	
Storage Temperature	-10 to 50°C	
Humidity	~95% @ 40°C (104°F) (non-condensing)	
Vibration	Operating 3 Grms, 5-500Hz ,w/ SSD	
Shock	Operating 30G peak acceleration, 11 ms, w/ M.2 SSD	
ESD	Contact ±4KV, Air ±8KV	
EMC	CE/FCC Class B	

Dimensions



All products and company names listed are trademarks or trade names of their respective companies. Updated May, 28, 2024.
©2024 ADLINK Technology, Inc. All Rights Reserved. All pricing and specifications are subject to change without further notice.