

KEY FEATURES

- Universal Input 90-264Vac
- 500 Watt with 30CFM Forced Air
- 450W with Conduction Cooling
- 330W with Natural Convection
- High Efficiency up to 92%
- Safety Approval to UL / IEC / EN 62368-1
- -30°C to +80°C Wide Range Operation Temperature
- Operating Altitude 5000M
- Active PFC Function
- I/O Isolation 4000VAC
- Built-in 12V/0.3A Auxiliary Output
- Standby 5V@1A with Fan, @0.4A without Fan
- 3-Year Product Warranty



ELECTRICAL SPECIFICATIONS

All specifications valid at normal input voltage, full load and +25°C after warm-up time unless otherwise stated.

Model No.		ARF500U-12S	ARF500U-24S	ARF500U-48S	
Max Output Wattage (with 30CFM FAN) (W)		500 W			
Max Output Wattage (Conduction Cooling) (W) (Note 6)		400 W (100 VAC) / 450 W (230 VAC)			
Max Output Wattage (Natural Convection) (W)		250 W (100 VAC) / 330 W (230 VAC)			
Input	Voltage (Note 3)	90-264 VAC or 127-370 VDC			
	Frequency (Hz)	47-63 Hz			
	Current (Full load)	<6.3 A max. (115 VAC) / <3.15 A max. (230 VAC)			
	Inrush Current (<2ms) (Clod Start)	< 40 A max. (115 VAC) / < 80 A max. (230 VAC)			
	Leakage Current	< 1.5mA / 264 VAC (Touch Current)			
	Power Factor (at 230 VAC)	PF>0.94 at Full Load			
Output	Voltage (V.DC.)	12V	24V	48V	
	Voltage Adj Range (V.DC.)	±5% Output Voltage			
	Voltage Accuracy	±2%			
	Current (with 30CFM FAN) (A) (max.)	41.5	20.8	10.41	
	Current (Conduction Cooling) (A) (max.)	at 100 VAC	33.3	16.6	8.33
		at 230 VAC	37.5	18.75	9.375
	Current (Natural Convection) (A) (max.)	at 100 VAC	20.83	10.42	5.21
		at 230 VAC	27.5	13.75	6.87
	Line Regulation (100-264 VAC)	±1%			
	Load Regulation (10-100%) (typ.)	±1%			
	Minimum Load	1%			
	Maximum Capacitive Load	5,000µF	2,500µF	1,250µF	
	Ripple & Noise (typ.) (Note 1)	160mV	240mV	480mV	
Efficiency (at 230VAC)	90.5%	91%	92%		
Hold-up Time (at 115 VAC) (Note 2)	8 ms min.				
Protection	Over Power Protection	Auto recovery			
	Over Voltage Protection	Auto recovery			
	Over Temperature Protection	Auto recovery			
	Short Circuit Protection	Protection level 1 (nominal) : Continuous, Auto recovery			
Protection level 2 (instantaneous high current) : Latch					
Isolation	Input-Output (Note 5)	4000VAC or 5656VDC			
	Input-PE (Note 5)	2000VAC or 2828VDC			
	Output-PE (Note 5)	1500VAC or 2121VDC			

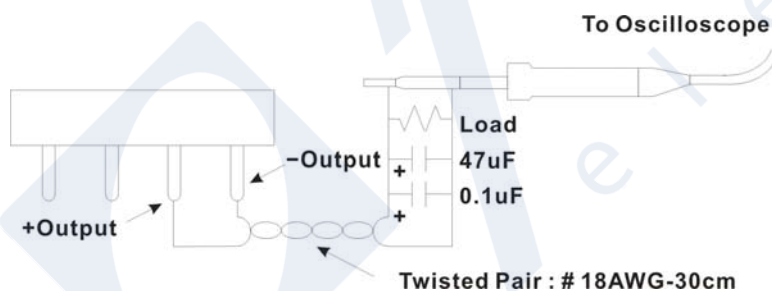
ELECTRICAL SPECIFICATIONS

All specifications valid at normal input voltage, full load and +25°C after warm-up time unless otherwise stated.

Model No.	ARF500U-12S	ARF500U-24S	ARF500U-48S
Environment	Operating Temperature	-30°C...+80°C (with derating)	
	Storage Temperature	-30°C...+85°C	
	Temperature Coefficient	±0.03%/°C (0~50°C)	
		±0.06%/°C (-30~0°C)	
	Altitude During Operation	5000m	
	Humidity	95% RH	
	MTBF	>160,000 h @ 25°C (MIL-HDBK-217F)	
	Vibration	IEC60068-2-6 (10~500Hz, 2G 10min./1cycle, 60min. each along X, Y, Z axes)	
Shock	IEC60068-2-27		
Physical	Dimensions (L x W x H)	5.12 x 3.27 x 1.57 Inches (130.0 x 83.0 x 40.0 mm) Tolerance ±0.5 mm	
	Weight	605 g	
	Cooling Method	Natural Convection / Conduction Cooling / 30CFM FAN	
Safety	Approval	UL / IEC / EN 62368-1	
Parameter	Standards & Level		Performance
EMI	Conducted	EN55032	Class B
	Radiated	EN55032	Class A
EMS	EN 55035		A
	ESD	IEC 61000-4-2 Air ± 8KV , Contact ± 4KV	A
	RS	IEC 61000-4-3 3V/m	A
	EFT/B	IEC 61000-4-4 ± 1KV	A
	Surge	IEC 61000-4-5 ± 1KV	A
	CS	IEC 61000-4-6 3Vrms	A
	PFMF	IEC 61000-4-8 1A/m	A
	Dips	IEC 61000-4-11 70% 500ms	B
	Interruptions	IEC 61000-4-11 <5% 5000ms	B

NOTE

- Ripple & Noise are measured at 20MHz of bandwidth with ceramic 0.1uF & chemi-con KY 47uF parallel capacitor.



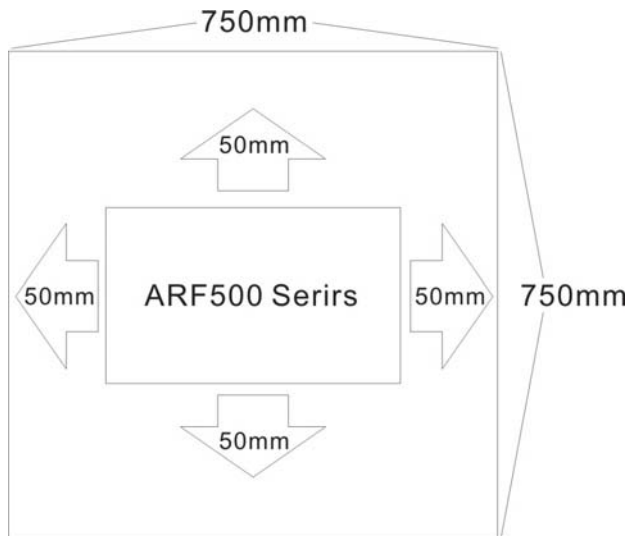
A 30cm twisted pair of no.18 AWG copper wire is connected to a 47uF and 0.1uF capacitor of proper polarity and voltage rating. The oscilloscope probe ground lead should connect right to the ground ring of the probe and be as short as possible. The oscilloscope bandwidth should be at 20MHz and connected to AC ground.

- Hold-up Time measured at 90% Vout.
- Please check the derating curve for more details.
- Fan output voltage will be between 10.2~13.3V, when the main output is greater than 3% of the max. load, and fan's terminal block output current is higher than 0.1A (min.)
- Strongly recommend to conduct this test with DC Voltage. If customer wishes to test with AC Voltage, please disconnect all Y-Capacitors from Arch power supply.

NOTE

6. The size of the suggested aluminum plate is shown as below. And for optimizing thermal performance, the aluminum plate must have an even and smooth surface (or coated with thermal grease), and ARF500 series must be firmly mounted at the center of the aluminum plate.

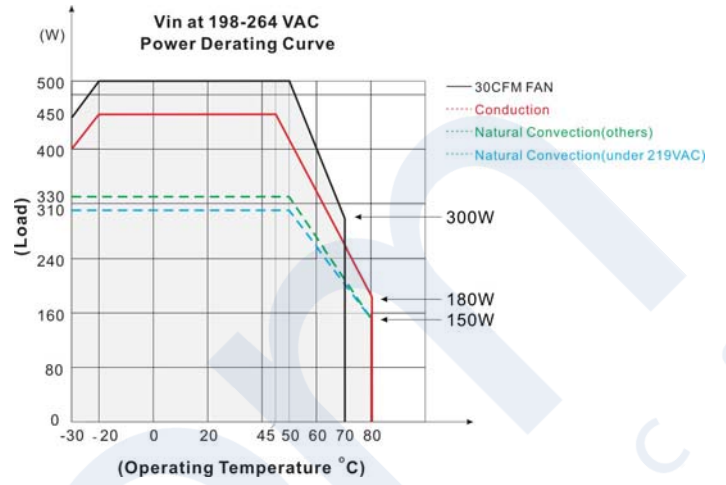
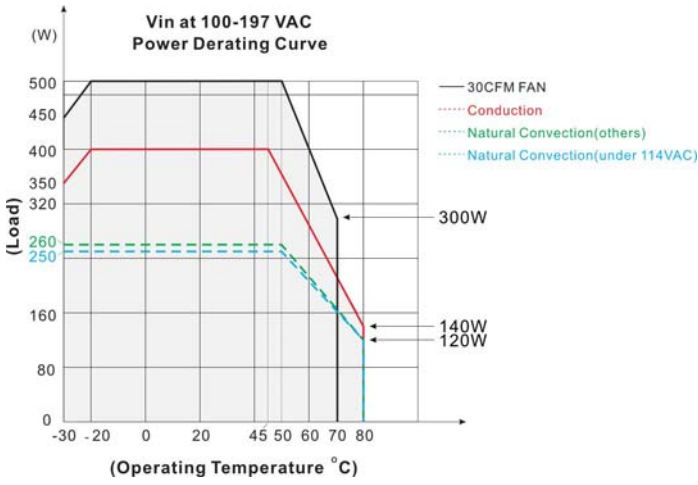
750 x 750 x 3.0 mm



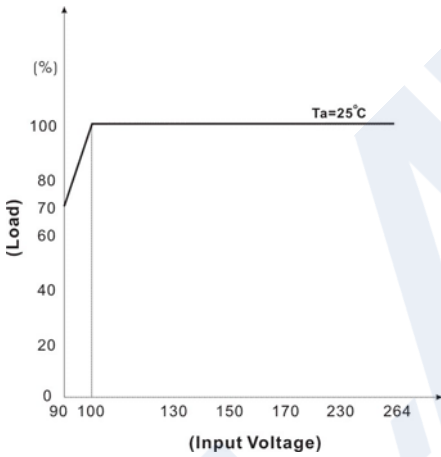
7. CAUTION: Double pole, neutral fusing. Disconnect mains before servicing.

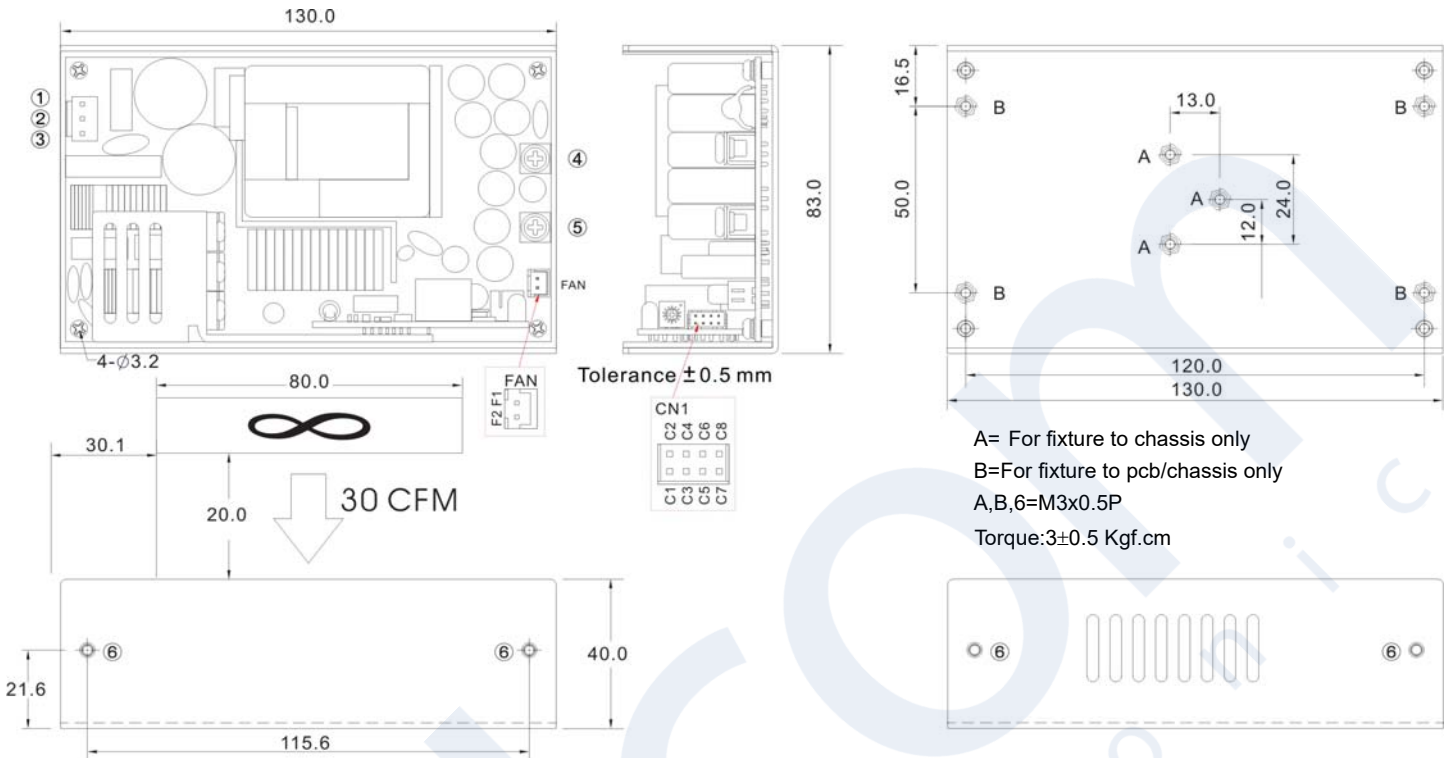
(ATTENTION : 2 poles avec fusible sur le neutre. Deconnecter le secteur avant intervention.)

DERATING



If input voltage is lower than 100VAC, please refer to the output derating V.S. input voltage curve for details



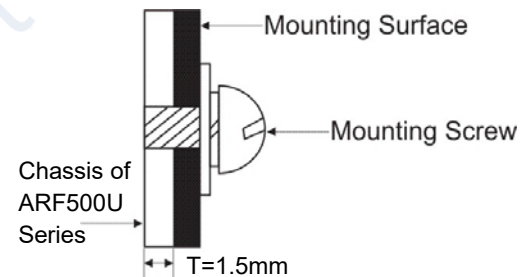
MECHANICAL DIMENSIONS (Top View)


Brands		Alex		JST	
PIN#	Single	Mating Housing	Terminal	Mating Housing	Terminal
6,B	PE	—	—	—	—
1	AC IN (N)	9396-3	96T series	VHR-3N	SVH-41T-P1.1
2	NO PIN				
3	AC IN (L)				
4	+DC OUT	Terminal : M3.5 Pan HD screw in 2 positions Torque to 8 lbs-in(90 cNm) max.			
5	-DC OUT				

ASSEMBLY INSTRUCTIONS

*U Case T=1.5mm

Customer is advised to screw into the threads no more than 1.5mm



Connector Pin (CN1)					
Brands		Cherng Weei		JST	
PIN#	Single	Mating Housing	Terminal	Mating Housing	Terminal
C1	-5V SB	PHD-H20-2X4P	PHD-T20	PHDR-08VS	SPHD-001T-P0.5
C2	+5V SB				
C3	GND				
C4	DC-OK				
C5	-RC				
C6	+RC				
C7	-S				
C8	+S				

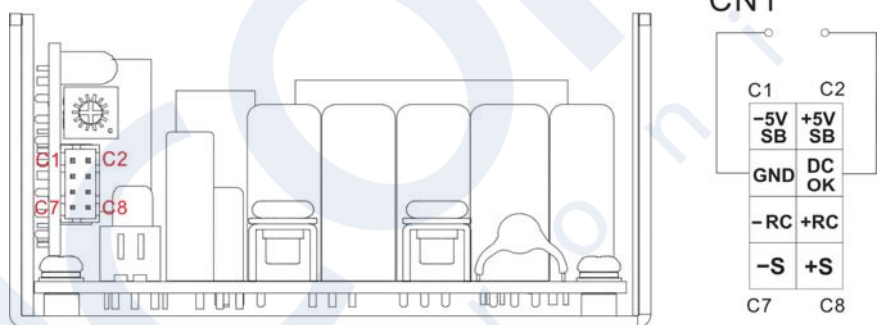
Connector Pin (FAN) (Note 4)					
Brands		Alex		JST	
PIN#	Single	Mating Housing	Terminal	Mating Housing	Terminal
F1	+12V	8821-2	8820T	XHP-2	SXH-002T-P0.6
F2	GND				

FUNCTION DESCRIPTION of CN1

Pin No.	Function	Description
C1	-5VSB	This pin connects to the negative terminal(-V). Return for DC-OK and -RC signal output.
C2	+5VSB	Stand by voltage output ground 4.1~5.5V, referenced to pin C1(-5VSB). The maximum load current is 1A with Fan, 0.4A without Fan..
C3	GND	This pin connects to the negative terminal(-V). Return for DC-OK and -RC signal output.
C4	DC OK	DC-OK Signal is a DC output, referenced to pin C3(DC-OK GND).
C5	-RC	This pin connects to the negative terminal(-V). Return for DC-OK and -RC signal output.
C6	+RC	Turns the output on and off by electrical or dry contact between pin C5 (-RC), Short: Power OFF, Open: Power ON. The input voltage must be less than 1V in order to disable VOUT and greater than 3.3V (up to 5V) to enable it.
C7	-S	Negative sensing. The -S signal should be connected to the negative terminal of the load. The -S and +S leads should be twisted in pair to minimize noise pick-up effect.
C8	+S	Positive sensing. The +S signal should be connected to the positive terminal of the load. The +S and -S leads should be twisted in pair to minimize noise pick-up effect.

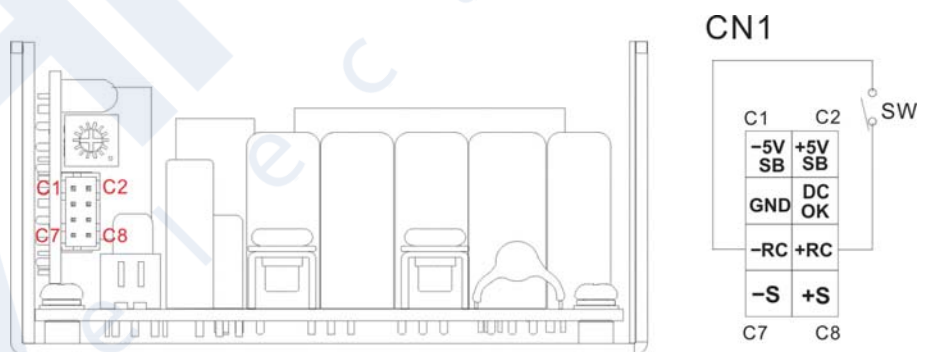
FUNCTION MANUAL & APPLICATION NOTE
1. DC-OK Signal

Between DC-OK and GND	Output Status
3.7~6V	ON
0~1V	OFF


2. Remote Control

It can be turned ON/OFF by using the "Remote Control" function.

Between +RC and -RC	Output Status
SW ON (Short)	OFF
SW OFF (Open)	ON


2. +S and -S Sense

Shorter wiring to each unit is recommended, as well as twisting +S and -S in pairs, as shown below

