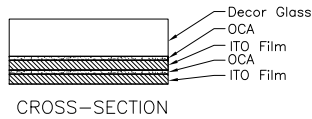
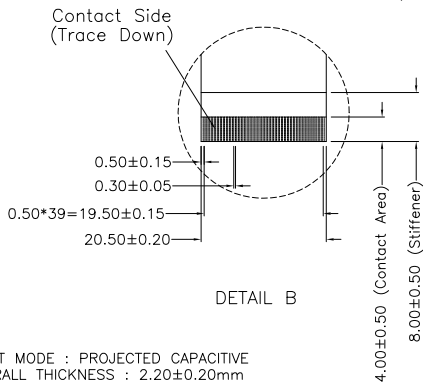
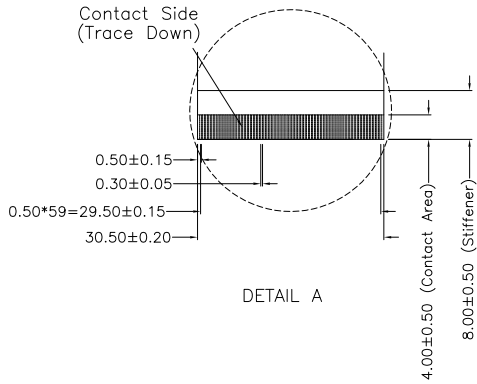
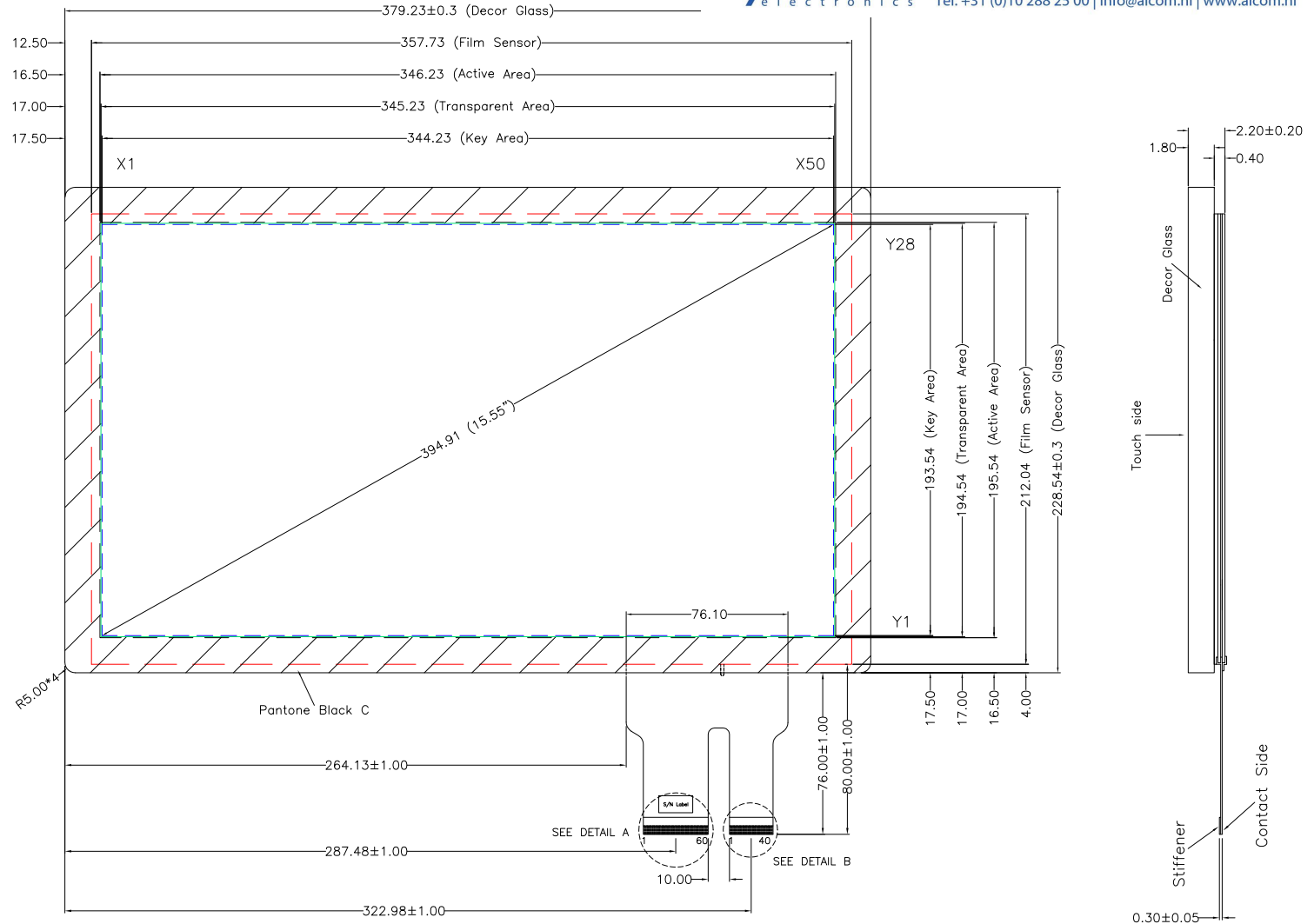


# Touch Side View

JL5	
PIN#	DESIGNATION
1	System_GND
2	Guard Ring
3-52	X1-X50
53-58	NC
59	Guard Ring
60	System_GND

JL4	
PIN#	DESIGNATION
1	System_GND
2	Guard Ring
3-10	NC
11-38	Y1-Y28
39	Guard Ring
40	System_GND



- NOTES:
- INPUT MODE : PROJECTED CAPACITIVE
  - OVERALL THICKNESS : 2.20±0.20mm
  - COVER GLASS THICKNESS : 1.80mm
  - FRONT SURFACE : CLEAR
  - TAIL TYPE : GOLD PLATED FPC , ZIF
  - RECOMMENDED CONTROL BOARDS : PM141X SERIES · PM1540 & AE1415
  - OTHER SPEC : SEE APPROVAL SHEET
  - PLEASE REFER TO AMT TOUCH SCREEN INTEGRATION GUIDES FOR SYSTEM MECHANICAL DESIGN AND ASSEMBLY METHODS



NO.	DATE	DESCRIPTION	CHK
REVISION			
CHIEF OF DESIGN		APPROVED	Orly
DRAWN BY	Leo	DATE	2022.12.30
SHEET 1 OF 1			

Apex Material Technology Corp.	
TOLERANCES UNLESS SPECIFIED	
.X	± 0.50
.XX	± 0.50
.XXX	± 0.30
ANGULAR	.
DWG NO : AD-92-K3101-LG0-L01-01	
SCALE: N/S UNIT: mm	