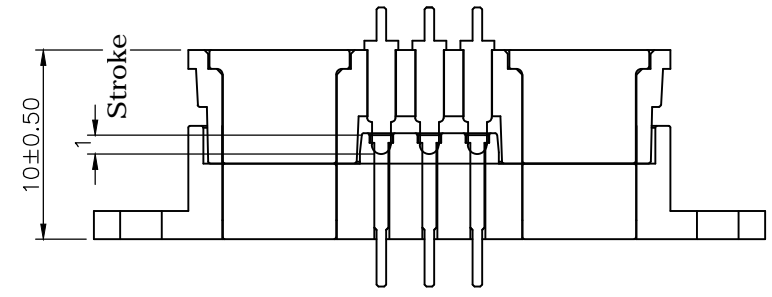
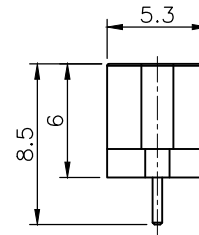
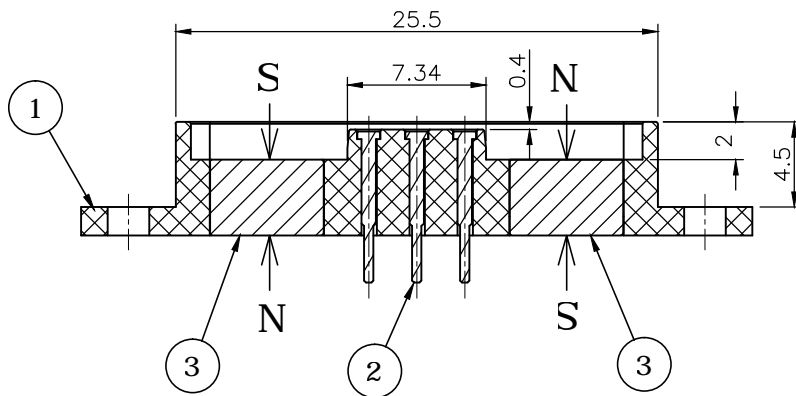
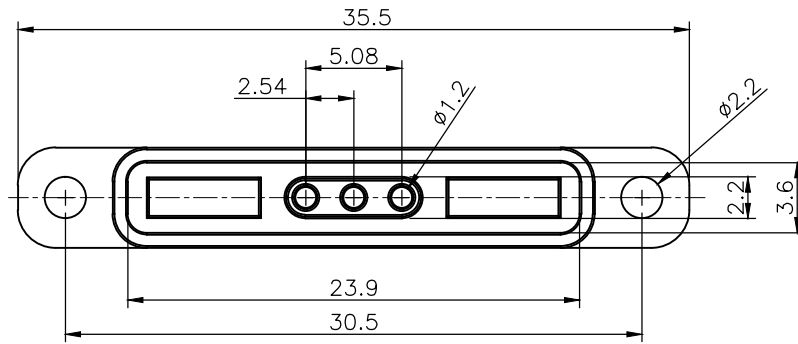


REV.	DESCRIPTION	DRAWN	DATE
1	INITIAL RELEASE	FROS	2022/03/10

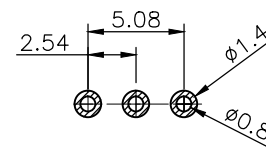
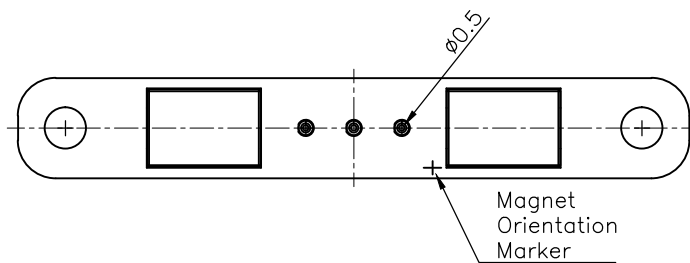
**SPECIFICATION:**

1. Contact Resistance: 50mΩ
2. Operating Temperature Range: -30°C~ +60°C
3. Soldering by manual only

303D-L255M03	2A	12VDC	500g
Match P/N	Current	Voltage	Magnetic Adsorption Force



ASSEMBLY



**Recommended layout**  
**General tolerance: ±0.05mm**

4	GLUE	LSR-67
3	MAGNET	N52 NdFeB, Nickel plating
2	PIN	Lead Free Brass, 5u" Gold plating over Nickel
1	HOUSING	HTN, UL94V-0, Black
NO.	PART NAME	DESCRIPTION

UNLESS OTHERWISE SPECIFIED TOLERANCE			
UNIT:	SIZE	LINEAR	ANGLES
mm	0-6	±0.1	±2°
	6-30	±0.2	
	30-150	±0.3	

DRAWN	Fros	2022/03/10	DRAWN NAME:		
CHECKED	Tim	2022/03/10	Pogo Pin Magnet Type, Machine Pin 3P		
APPROVED	Ken	2022/03/10	35.5x5.3x8.5h, 5u", 500g, 3A, black		
SCALE	2.5	SHEET	1/1	SIZE	A4
PRODUCT NO.	303D-L355F03		FILE NAME	303D-L355F03_B_1	