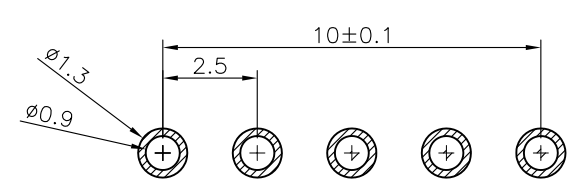
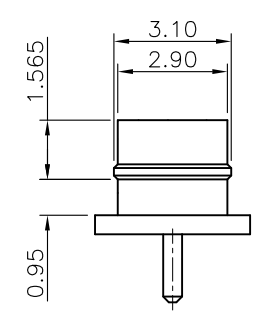
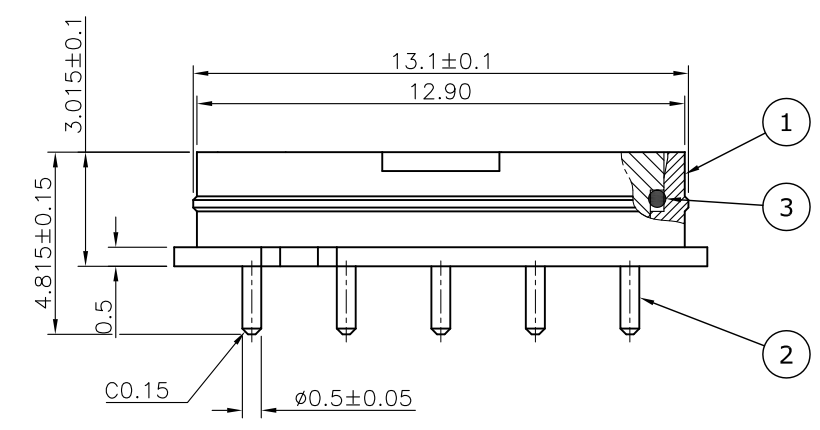
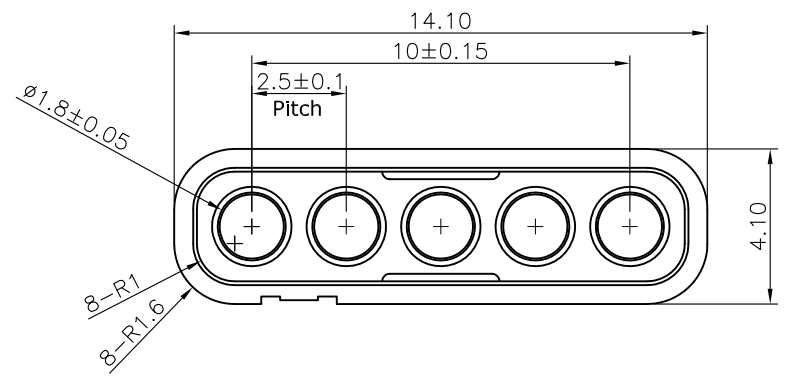


REV.	DESCRIPTION	DRAWN	DATE
1	INITIAL RELEASE	FROS	2016/03/30
2	Add section view	FROS	2019/05/15

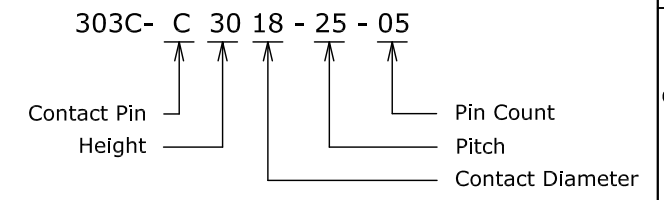


**Recommended Layout**  
General Tolerance: ±0.05mm

**SPECIFICATION:**

1. ELECTRICAL
  - 1.1 Current Rating: 2A per pin
  - 1.2 Voltage Rating: 12V AC/DC
  - 1.3 Contact Resistance: 50mΩ
  - 1.4 Insulation Resistance: 100MΩ
  - 1.5 Dielectric Withstanding Voltage: 500VAC
2. MECHANICAL
  - 2.1 Durability: 20,000 Cycles
3. ENVIRONMENTAL
  - 3.1 Operating temperature range: -40°C~+85°C
  - 3.2 Storage temperature range: -40°C~+85°C
  - 3.3 Waterproof Level: IPX7
4. SOLDER ABILITY
  - 4.1 Peak Temperature: 250°C, 10Sec

**How to Order**



3	O-Ring	Silicone Rubber
2	Contact Pin	Brass, 30u" Gold/ 120u" Nickel Plating
1	Housing	PPA 30%GF, UL94HB, Black

NO.		PART NAME	DESCRIPTION
UNLESS OTHERWISE SPECIFIED TOLERANCE			
UNIT:	DECIMAL	LINEAR	ANGLES
	X.	±0.50	±5°
	X.X	±0.25	±3°
	X.XX	±0.12	±1°
DRAWN		Fros	2016/03/30
CHECKED		Amy	2016/03/30
APPROVED		Ken	2016/03/30
DRAWN NAME:		Pogo Pin Water Proof Contact Type 5 Pin H3.0 Pitch 2.5 DIP w/o Cap, 30u"	
PRODUCT NO.		303C-C3018-25-05	
SCALE	SHEET	SIZE	FILE NAME
5/1	1/1	A4	303C-C3018-25-05_B_2



Singel 3 | B-2550 Kontich | Belgium | Tel. +32 (0)3 458 30 33 | info@alcom.be | www.alcom.be  
 Rivium 1e straat 52 | 2909 LE Capelle aan den IJssel | The Netherlands | Tel. +31 (0)10 288 25 00 | info@alcom.nl | www.alcom.nl



WWW.ATTEND.COM.TW