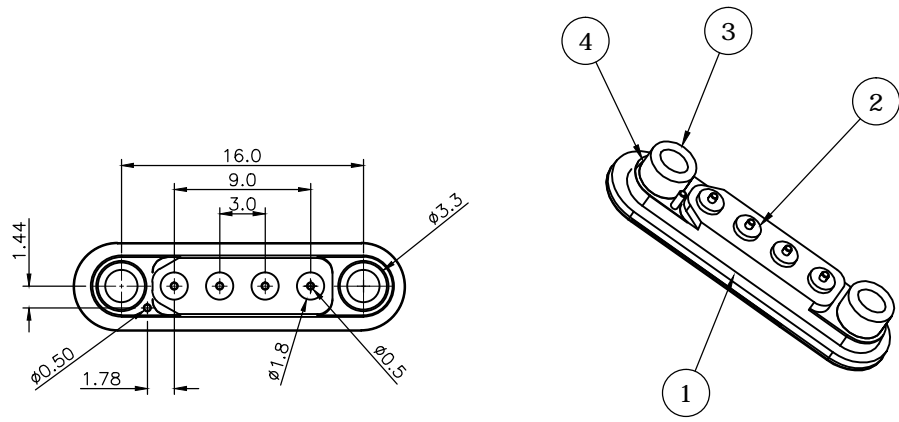
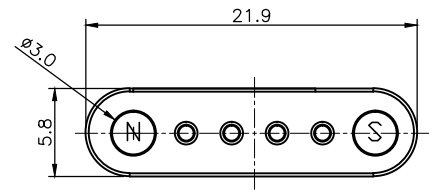
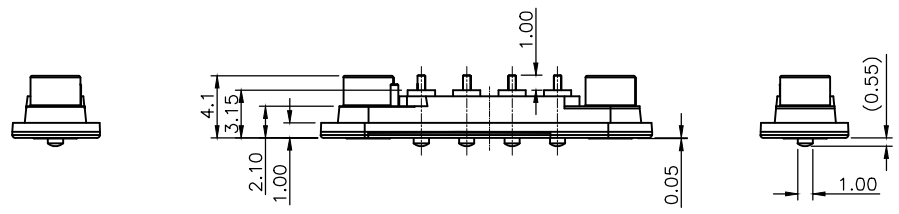


REV.	DESCRIPTION	DRAWN	DATE
1	INITIAL RELEASE	TIM	2021/12/13



**SPECIFICATION:**

1. ELECTRICAL
  - 1.1 Current Rating: 1A per pin
  - 1.2 Voltage Rating: 12VDC
  - 1.3 Contact Resistance: 30mΩ
  - 1.4 Insulation Resistance: 500MΩ
  - 1.5 Dielectric Withstanding Voltage: 500VAC
2. MECHANICAL
  - 2.1 Durability: 20,000 Cycle
  - 2.2 Pogo pin contact force: 40g±20g at 0.4mm work stroke, full stroke 0.6mm
3. ENVIRONMENTAL
  - 3.1 Operating temperature range: -30°C~+60°C



4	GLUE	LTE-120HP
3	MAGNET	N48 NdFeB, Ni-Cu-Ni plating
2	POGO PIN	Brass, 5u" gold plating
1	HOUSING	HTN, UL94V-0, Black

NO.	PART NAME	DESCRIPTION					
UNLESS OTHERWISE SPECIFIED TOLERANCE							
UNIT:	DECIMAL	LINEAR	ANGLES				
mm	X.	±0.50	±5°				
	X.X	±0.25	±3°				
	X.XX	±0.12	±1°				
www.attend.com.tw							
DRAWN	Tim	2021/12/13	DRAWN NAME:				
CHECKED	Fros	2021/12/13	Pogo Pin, Magnet Type, 4Pin H4.6, Pitch 3.0, DIP, 5u", Black				
APPROVED	Ken	2021/12/13	PRODUCT NO. 303C-321018-30-04				
SCALE	1/1	SHEET	1/1	SIZE	A4	FILE NAME	303C-321018-30-04_B_1

