

REV.	DESCRIPTION	DRAWN	DATE
1	INITIAL RELEASE	FROS	2020/05/18

SPECIFICATION:

1. ELECTRICAL

- 1.1 Current Rating: 2A
- 1.2 Voltage Rating: 30V
- 1.3 Contact Resistance: 20mΩ

2. MECHANICAL

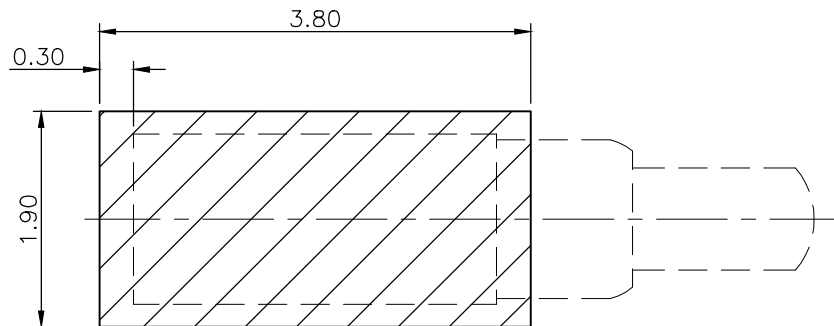
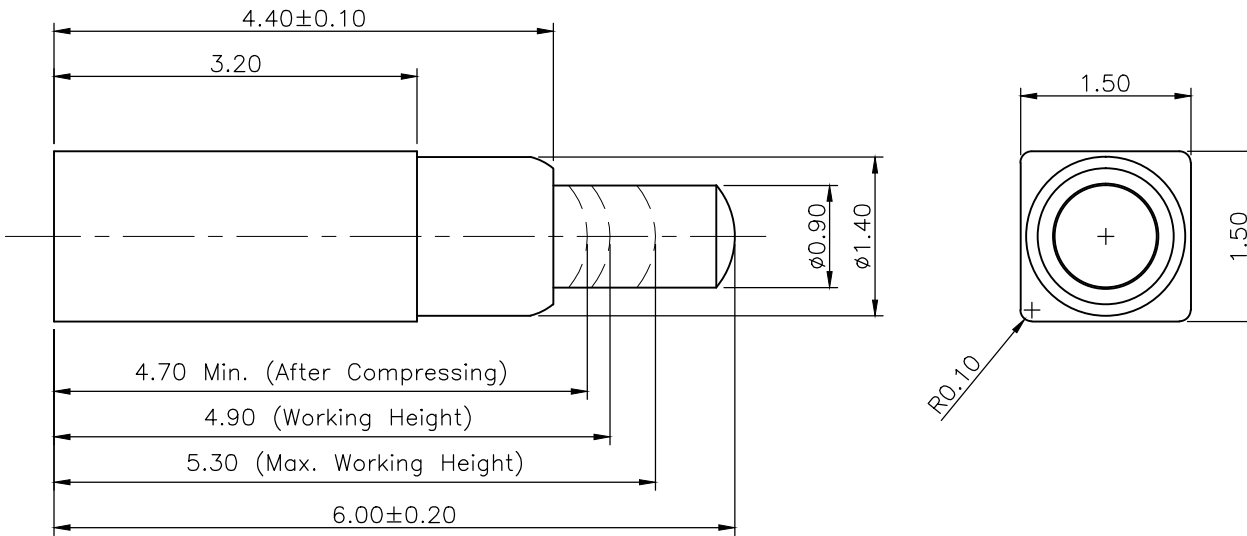
- 2.1 Durability: 10,000 Cycle
- 2.2 Spring Force: 90g±20g at working height

3. ENVIRONMENTAL


- 3.1 Operating temperature range: -40°C~+85°C
- 3.2 Storage temperature range: -40°C~+85°C

4. SOLDER ABILITY

- 4.1 Recommended IR-Reflow Temperature: 260°C



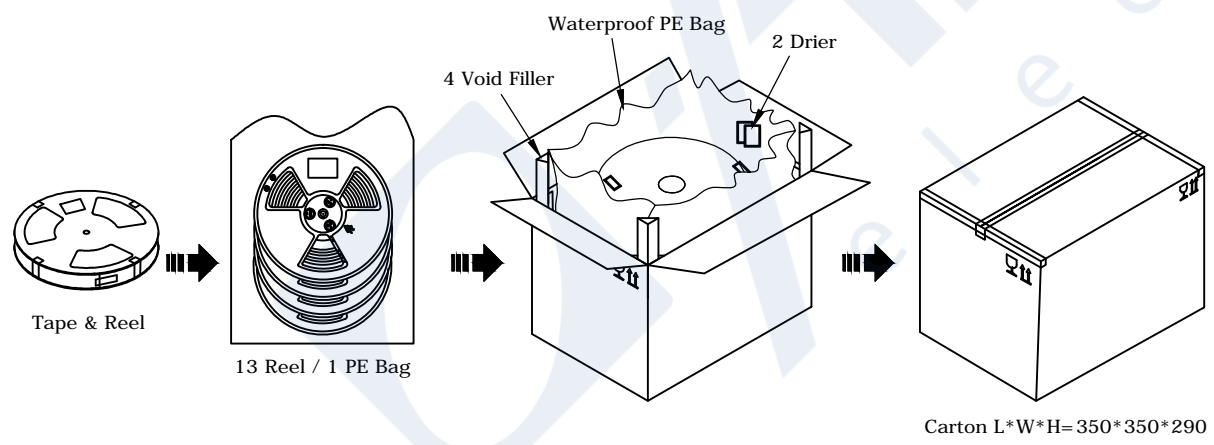
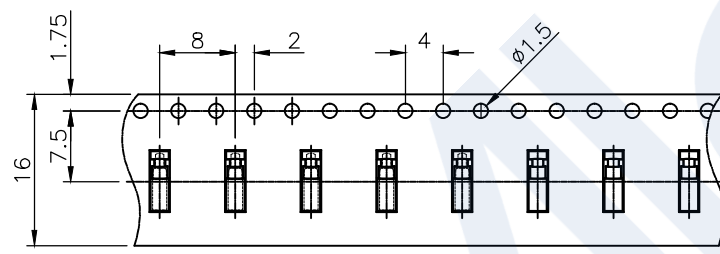
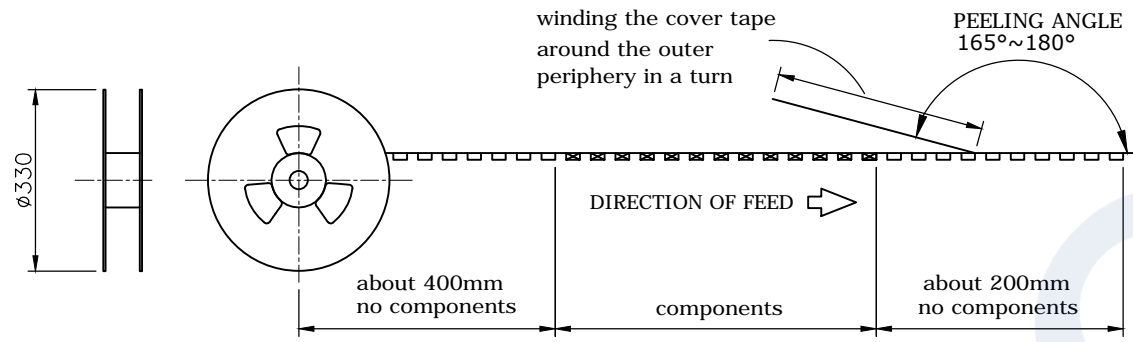
Recommended Layout
General tolerance: $\pm 0.05\text{mm}$


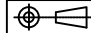
3	SPRING	Stainless steel		
2	BARREL	Brass, gold plating over nickel		
1	PISTON	Brass, gold plating over nickel		
NO.	PART NAME	DESCRIPTION		
UNLESS OTHERWISE SPECIFIED TOLERANCE				
UNIT:	DECIMAL	LINEAR	ANGLES	
	mm	X. ±0.50	±5°	
		X.X ±0.25	±3°	
		X.XX ±0.12	±1°	
DRAWN		Fros	2020/05/18	 www.attend.com.tw DRAWN NAME: Pogo Pin, H6.0 Rectangle Body R/A SMT 5u", Reel
CHECKED		Tim	2020/05/18	
APPROVED		Ken	2020/05/18	
SCALE		1/1	SHEET 1/1	
FILE NAME		303A-441615-000_B_1		

REV.	DESCRIPTION	DRAWN	DATE
1	INITIAL RELEASE	FROS	2020/05/18

PACKAGING SPECIFICATION:

1. MATERIAL
 - 1.1 Embossed Carrier Tape: PS Black
 - 1.2 Top Cover Tape: PET
20-80g (Peel Speed 300mm/Minute)
 - 1.3 Taping Reel: Plastic
2. PACKING
 - 2.1 Quantity:
4,500 Piece/Reel
13 Reel/Carton
58,500 Piece/Outer Carton



UNLESS OTHERWISE SPECIFIED TOLERANCE					
UNIT:	DECIMAL	LINEAR	ANGLES		
mm	X.	±0.50	±5°	www.attend.com.tw	
	X.X	±0.25	±3°		
	X.XX	±0.12	±1°		
DRAWN	Fros	2020/05/18	DRAWN NAME:		
CHECKED	Tim	2020/05/18	Pogo Pin, H6.0 Rectangle Body R/A SMT 5u", Reel		
APPROVED	Ken	2020/05/18	PRODUCT NO.	303A-441615-000	
		SCALE N/A	SHEET 1/1	SIZE A4	FILE NAME 303A-441615-000_D_1